

RZTE Magnetic cylinder sensor



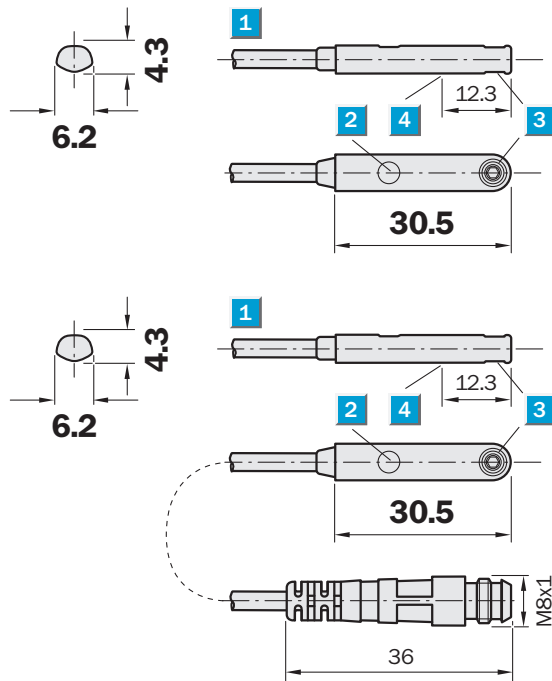
**For T-slot
cylinders**

Magnetic cylinder sensor

- Mountable from the top
- For all common used T-slot cylinders
- Connection cable or connector on cable
- Enclosure rating IP 67
- LED status indicator



Dimensional drawing



- 1 Connection
- 2 Display LED
- 3 Mounting screw
- 4 Position sensor element

Connection types

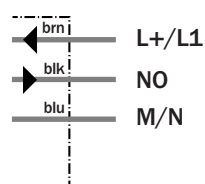
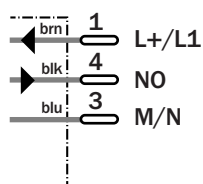
RZTE-03ZRS-KP0

RZTE-03ZRS-KW0



M8, 3-pin

3 x 0.14 mm²



RZTE, Magnetic cylinder sensor, AC/DC 3-wire, for T-slot cylinders

Technical data		RZTE-	03ZRS-KPO	03ZRS-KWO								
Sensing face	Centre											
Electrical configuration	AC/DC 3-wire											
Supply voltage V_s	10 ... 30 V AC/DC											
Max. switching power	6 W/VA											
Response sensitivity	Typ. 2.8 mT											
Continuous current I_a	≤ 500 mA											
Switch on delay	Approx. 1.5 ms											
Time delay off	Approx. 0.5 ms											
Hysteresis H, of s_r	≤ 1.5 mm											
Repeatability R	≤ 0.2 mm (U_b and T_a constant)											
EMC	According to EN 60947-5-2											
Switching output	Reed											
Output function	Normally open											
Connection type	Cable, PVC, 2 m											
	Cable with plug, M8, 3-pin, PUR, 300 mm											
Enclosure rating	IP 67 ¹⁾											
Max. switching frequency	400 Hz											
Shock/vibration stress	30 g, 11 ms/10 ... 55 Hz, 1 mm											
Ambient temperature T_a	-25 °C ... +75 °C											
Housing material	Plastic											

¹⁾ According to EN 60529

Order information	
Type	Order no.
RZTE-03ZRS-KWO	1048933
RZTE-03ZRS-KPO	1048934

Great Britain
 Phone +44 (0)1727 83 11 21
 E-Mail info@sick.co.uk

USA
 Phone +1(952) 941-6780
 tollfree +1-800-325-7425
 E-Mail info@sickusa.com

Australia
 Phone +61 3 9497 4100
 tollfree +1800 33 48 02
 E-Mail sales@sick.com.au

More representatives and agencies in all major industrial nations at www.sick.com

SICK
 Sensor Intelligence.