

RZTE Magnetic cylinder sensor



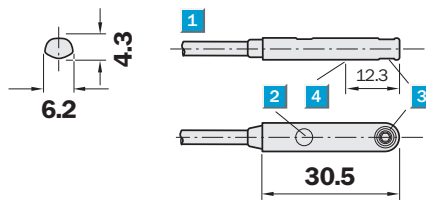
**For T-slot
cylinders**
Magnetic cylinder sensor

- Mountable from the top
- For all common used T-slot cylinders
- Connection cable or connector on cable
- Enclosure rating IP 67
- LED status indicator

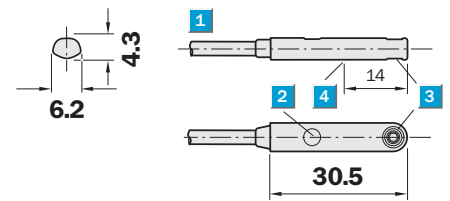


Dimensional drawing

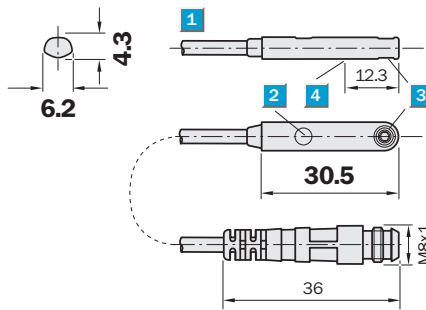
RZTE-03ZUS-KWO



RZTE-03ZUS-KWOS01



RZTE-03ZUS-KPO



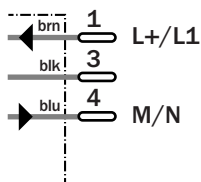
- 1** Connection
- 2** Display LED
- 3** Mounting screw
- 4** Position sensor element

Connection types

RZTE-03ZUS-KPO



M8, 3-pin

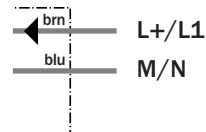


RZTE-03ZUS-KWO

RZTE-03ZUS-KWOS01



2 x 0.14 mm²



RZTE, Magnetic cylinder sensor, AC/DC 2-wire, for T-slot cylinders

Technical data		RZTE-	03ZUS-KPO	03ZUS-KWO	03ZUS-KWOS01						
Sensing face	Centre										
Electrical configuration	AC/DC 2-wire										
Supply voltage V_s	10 ... 230 V AC/DC										
	10 ... 30 V AC/DC										
Max. switching power	6 W/VA										
	10 W/VA										
Response sensitivity	Typ. 2.8 mT										
Continuous current I_a	≤ 100 mA										
Switch on delay	Approx. 1.5 ms										
Time delay off	Approx. 0.5 ms										
Hysteresis H, of s_r	≤ 1.5 mm										
Repeatability R	≤ 0.1 mm (U_b and T_a constant)										
EMC	According to EN 60947-5-2										
Switching output	Reed										
Output function	Normally open										
Display LED	✓										
Connection type	Cable, PVC, 2 m										
	Cable with plug, M8, 3-pin, PUR, 300 mm										
Protection class	<input type="checkbox"/>										
Enclosure rating	IP 67 ¹⁾										
Max. switching frequency	400 Hz										
Shock/vibration stress	30 g, 11 ms/10 ... 55 Hz, 1 mm										
Ambient temperature T_a	-25 °C ... +75 °C										
Housing material	Plastic										

¹⁾ According to EN 60529

Order information	
Type	Order no.
RZTE-03ZUS-KWO	1048931
RZTE-03ZUS-KPO	1048932
RZTE-03ZUS-KWOS01	1048935

Great Britain
 Phone +44 (0)1727 83 11 21
 E-Mail info@sick.co.uk

USA
 Phone +1(952) 941-6780
 tollfree+1-800-325-7425
 E-Mail info@sickusa.com

Australia
 Phone +61 3 9497 4100
 tollfree+1800 33 48 02
 E-Mail sales@sick.com.au

More representatives and agencies in all major industrial nations at www.sick.com

SICK
 Sensor Intelligence.