

Push-pull adapter for voltage supply



de

en

Push-Pull-Adapter für Spannungsversorgung



de

en

Alle Rechte vorbehalten. Irrtümer und Änderungen vorbehalten.

1 Zu diesem Dokument

Dieses Dokument gilt für den Push-Pull-Adapter für Spannungsversorgung mit der Artikelnummer 2098095.

2 Produktbeschreibung

Der Sicherheits-Laserscanner microScan3 Core PROFINET (RJ45) hat einen L-codierten M12-Anschluss für die Spannungsversorgung. Mit dem Push-Pull-Adapter für Spannungsversorgung erfolgt die Spannungsversorgung über gängige 5-polige Push-Pull-Power-Stecker.

Der Push-Pull-Adapter für Spannungsversorgung ist für den Sicherheits-Laserscanner microScan3 mit folgenden Artikelnummern geeignet:

- 1083012
- 1083010
- 1094459

3 Montage

Push-Pull-Adapter für Spannungsversorgung am Systemstecker montieren

Benötigtes Werkzeug:

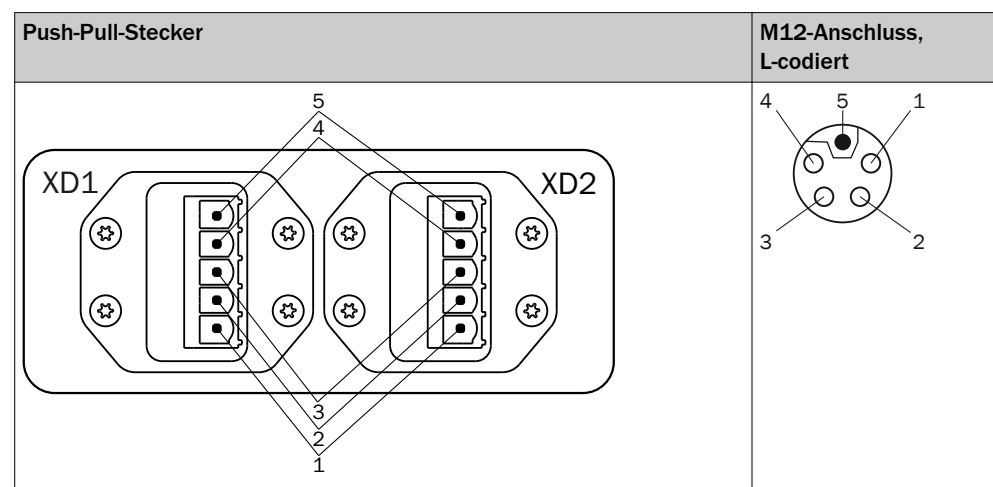
- Schraubenschlüssel Innensechsrund TX20

Montage bei unten montiertem Systemstecker: **A**

Montage bei hinten montiertem Systemstecker: **B**

1. Push-Pull-Adapter für Spannungsversorgung am Systemstecker montieren.
Anzugsdrehmoment: 4,0 Nm ... 5,0 Nm
2. Leitung des Push-Pull-Adapters für Spannungsversorgung mit dem M12-Anschluss verbinden.
Anzugsdrehmoment: 0,4 Nm ... 0,6 Nm

4 Anschlussbelegung



Pin am Push-Pull-Stecker	Pin am M12-Anschluss	Bezeichnung	Funktion
1	1	+24 V DC	Versorgungsspannung +24 V DC
2	3	0 V DC	Versorgungsspannung 0 V DC
3	4	NC	Unbeschaltet
4	2	NC	Unbeschaltet
5	5	FE	Funktionserde/Abschirmung

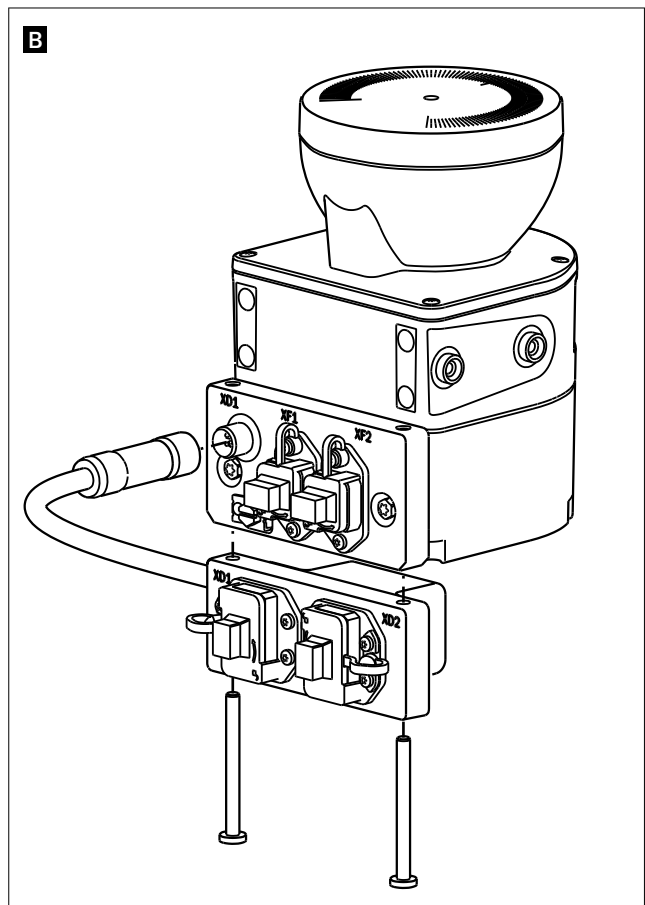
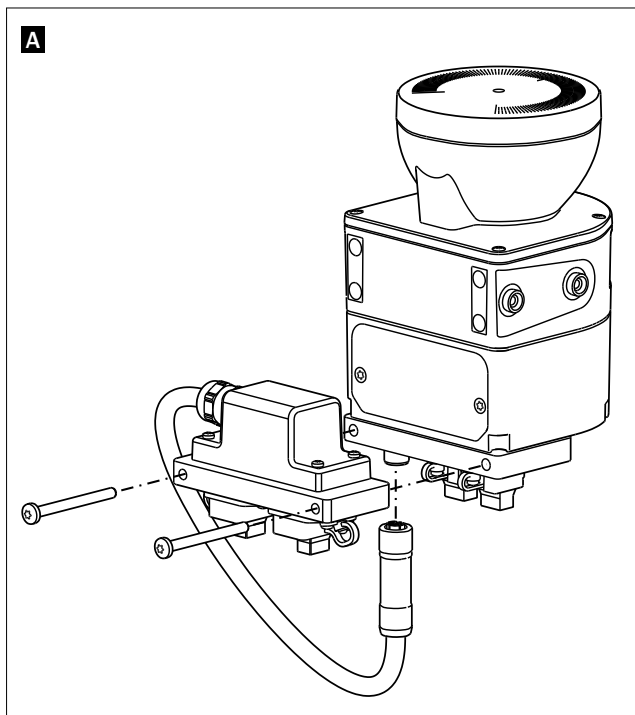
5 Technische Daten

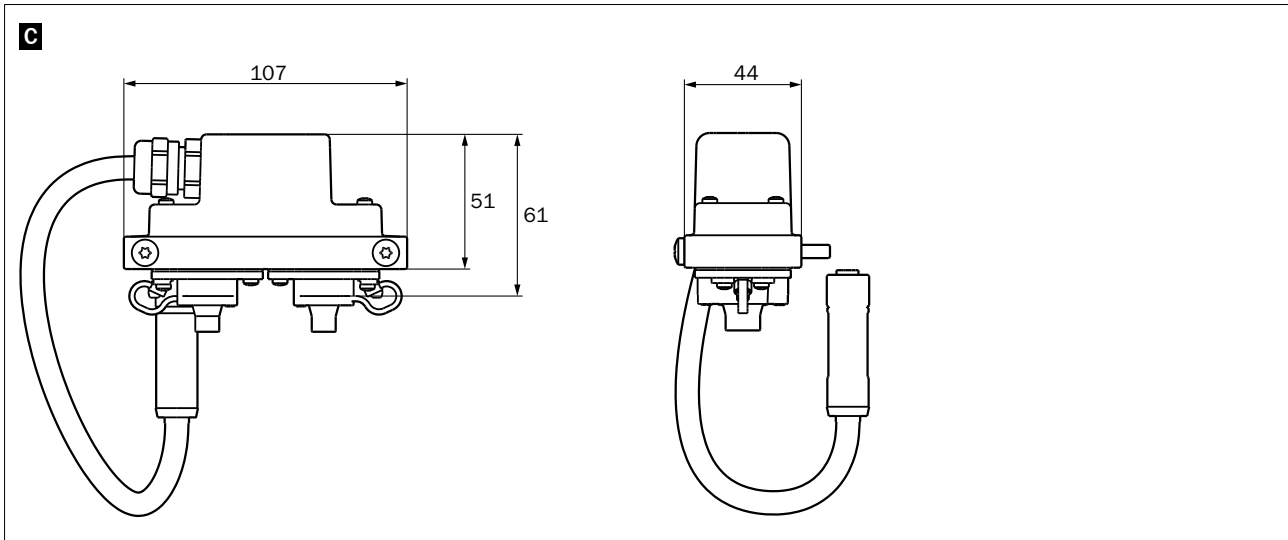
Datenblatt

Push-Pull-Adapter für Spannungsversorgung

Bemessungsstrom

16 A





Push-pull adapter for voltage supply



de

en

All rights reserved. Subject to change without notice.

1 About this document

This document applies to the push-pull adapter for voltage supply with the part number 2098095.

2 Product description

The microScan3 Core PROFINET (RJ45) safety laser scanner has an L-coded M12 connector for the voltage supply. When using the push-pull adapter for voltage supply, the voltage supply is provided via conventional 5-pin push-pull power connectors.

The push-pull adapter for voltage supply is suitable for microScan3 safety laser scanners with the following part numbers:

- 1083012
- 1083010
- 1094459

3 Mounting

Mounting the push-pull adapter for voltage supply on the system plug

Tool required:

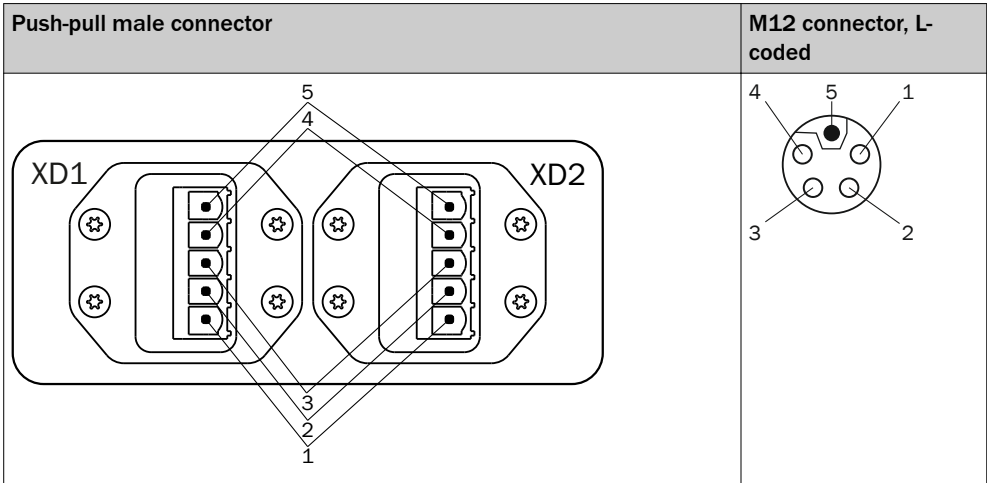
- TX20 Torx wrench

Mounting the adapter when the system plug is located at the bottom: **A**

Mounting the adapter when the system plug is located at the rear: **B**

1. Mount the push-pull adapter for voltage supply on the system plug.
Tightening torque: 4.0 Nm ... 5.0 Nm
2. Connect the cable of the push-pull adapter for voltage supply to the M12 connector.
Tightening torque: 0.4 Nm ... 0.6 Nm

4 Pin assignment

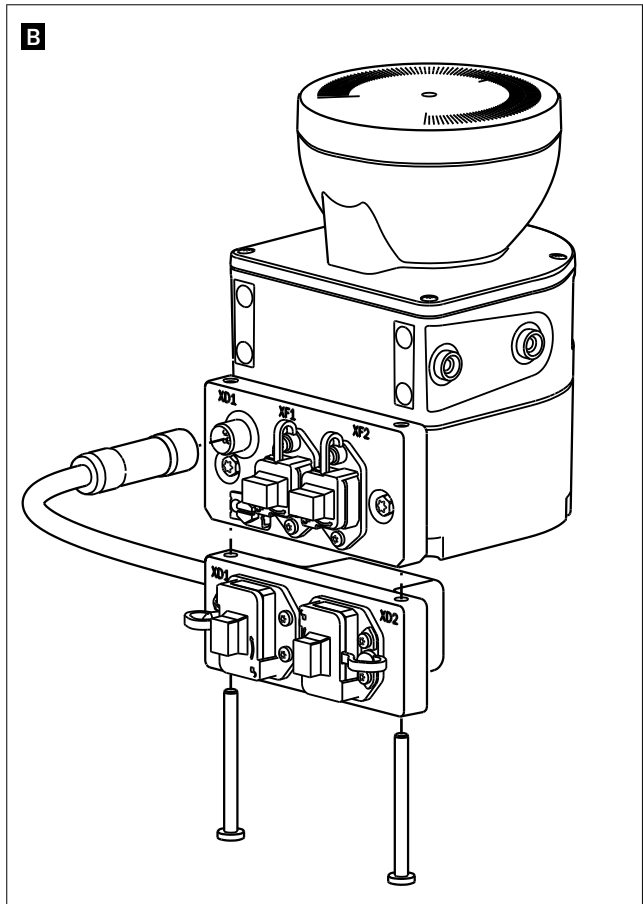
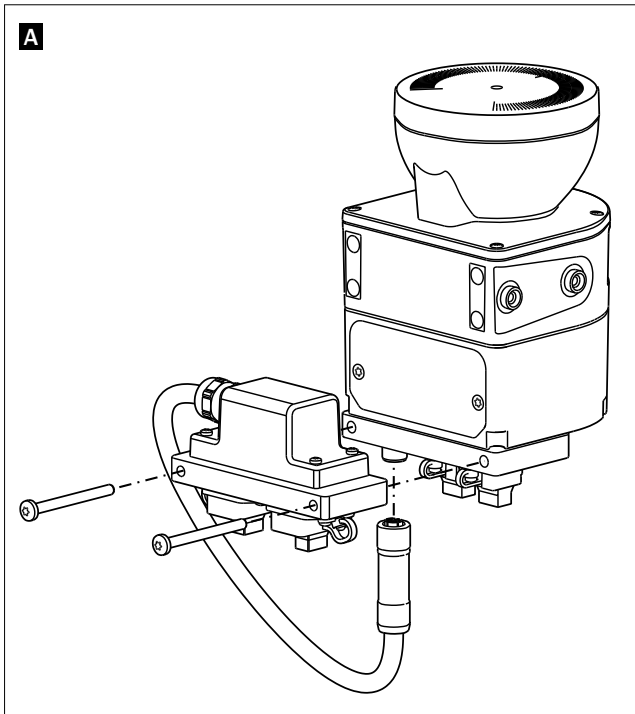


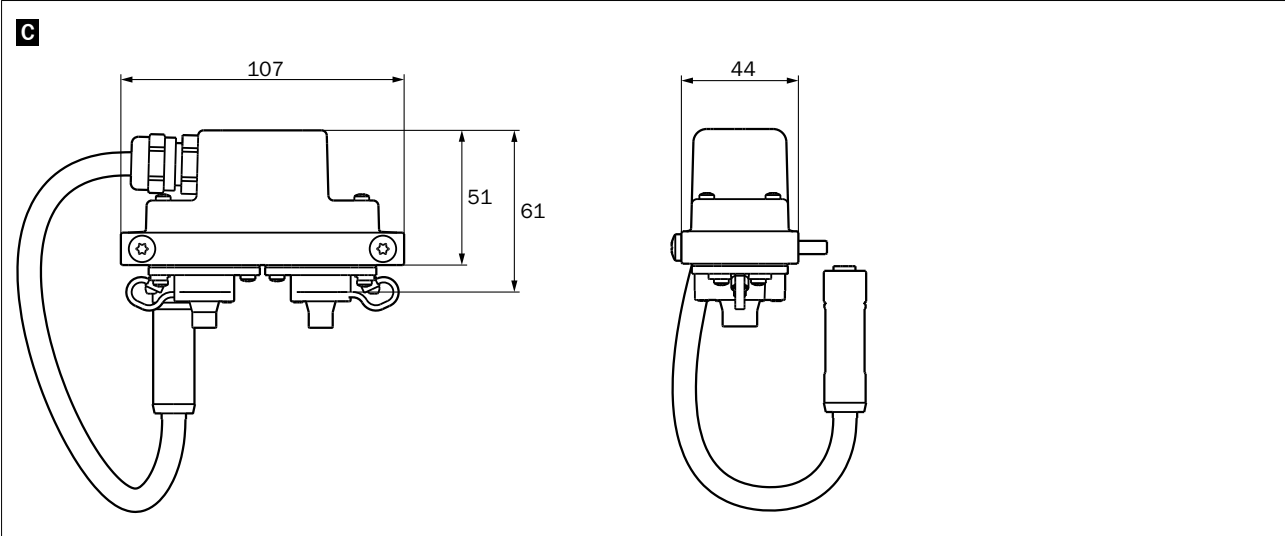
Pin on the push-pull male connector	Pin on the M12 connector	Marking	Function
1	1	+24 V DC	24 V DC supply voltage
2	3	0 V DC	0 V DC supply voltage
3	4	NC	Not connected
4	2	NC	Not connected
5	5	FE	Functional earth/shield

5 Technical data

Data sheet

Push-pull adapter for voltage supply	
Rated current	16 A





Australia

Phone +61 (3) 9457 0600
1800 33 48 02 – tollfree
E-Mail sales@sick.com.au

Austria

Phone +43 (0) 2236 62288-0
E-Mail office@sick.at

Belgium/Luxembourg

Phone +32 (0) 2 466 55 66
E-Mail info@sick.be

Brazil

Phone +55 11 3215-4900
E-Mail comercial@sick.com.br

Canada

Phone +1 905.771.1444
E-Mail cs.canada@sick.com

Czech Republic

Phone +420 2 57 91 18 50
E-Mail sick@sick.cz

Chile

Phone +56 (2) 2274 7430
E-Mail chile@sick.com

China

Phone +86 20 2882 3600
E-Mail info.china@sick.net.cn

Denmark

Phone +45 45 82 64 00
E-Mail sick@sick.dk

Finland

Phone +358-9-25 15 800
E-Mail sick@sick.fi

France

Phone +33 1 64 62 35 00
E-Mail info@sick.fr

Germany

Phone +49 (0) 2 11 53 01
E-Mail info@sick.de

Hong Kong

Phone +852 2153 6300
E-Mail ghk@sick.com.hk

Hungary

Phone +36 1 371 2680
E-Mail ertekesites@sick.hu

India

Phone +91-22-6119 8900
E-Mail info@sick-india.com

Israel

Phone +972-4-6881000
E-Mail info@sick-sensors.com

Italy

Phone +39 02 27 43 41
E-Mail info@sick.it

Japan

Phone +81 3 5309 2112
E-Mail support@sick.jp

Malaysia

Phone +603-8080 7425
E-Mail enquiry.my@sick.com

Mexico

Phone +52 (472) 748 9451
E-Mail mario.garcia@sick.com

Netherlands

Phone +31 (0) 30 229 25 44
E-Mail info@sick.nl

New Zealand

Phone +64 9 415 0459
0800 222 278 – tollfree
E-Mail sales@sick.co.nz

Norway

Phone +47 67 81 50 00
E-Mail sick@sick.no

Poland

Phone +48 22 539 41 00
E-Mail info@sick.pl

Romania

Phone +40 356-17 11 20
E-Mail office@sick.ro

Russia

Phone +7 495 283 09 90
E-Mail info@sick.ru

Singapore

Phone +65 6744 3732
E-Mail sales.gsg@sick.com

Slovakia

Phone +421 482 901 201
E-Mail mail@sick-sk.sk

Slovenia

Phone +386 591 78849
E-Mail office@sick.si

South Africa

Phone +27 (0)11 472 3733
E-Mail info@sickautomation.co.za

South Korea

Phone +82 2 786 6321
E-Mail info@sickkorea.net

Spain

Phone +34 93 480 31 00
E-Mail info@sick.es

Sweden

Phone +46 10 110 10 00
E-Mail info@sick.se

Switzerland

Phone +41 41 619 29 39
E-Mail contact@sick.ch

Taiwan

Phone +886-2-2375-6288
E-Mail sales@sick.com.tw

Thailand

Phone +66 2 645 0009
E-Mail marcom.th@sick.com

Turkey

Phone +90 (216) 528 50 00
E-Mail info@sick.com.tr

United Arab Emirates

Phone +971 (0) 4 88 65 878
E-Mail info@sick.ae

United Kingdom

Phone +44 (0)17278 31121
E-Mail info@sick.co.uk

USA

Phone +1 800.325.7425
E-Mail info@sick.com

Vietnam

Phone +65 6744 3732
E-Mail sales.gsg@sick.com

Further locations at www.sick.com

