



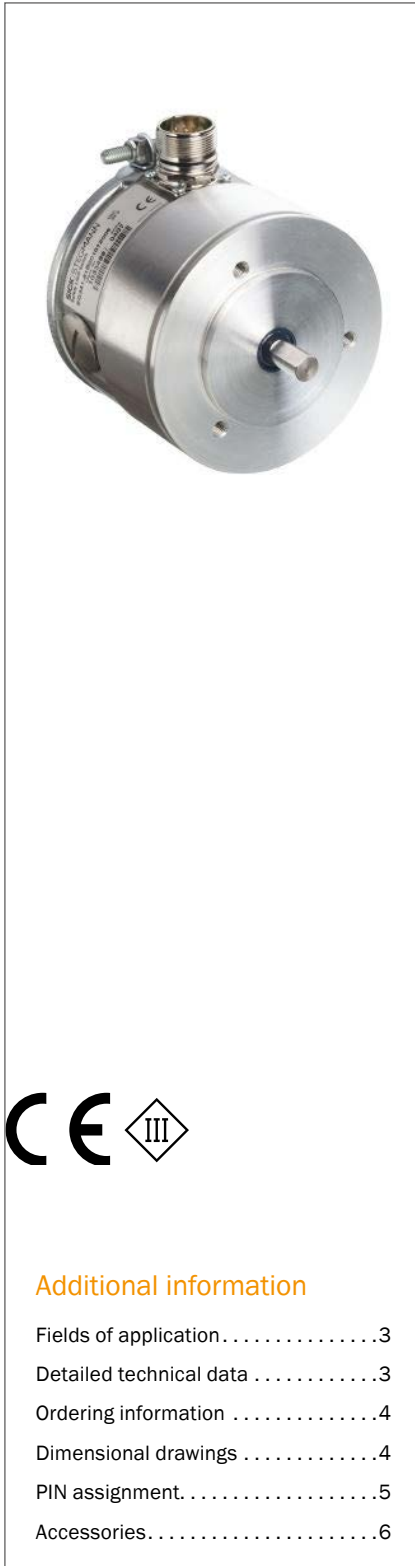
EG341C, EG342C, EG343C

LIMIT SWITCHES FOR POSITION MONITORING

Limit switches

SICK
Sensor Intelligence.

LIMIT SWITCHES FOR POSITION MONITORING



Product description

Limit switches are position switches with positive opening. They are used to limit the range of movement of equipment and machine parts. Two limit switches, each actuated by a Maltese cross gear, allow two switching points to be continuously adjusted within a range of

3,400 revolutions and, despite the large range, to achieve a switching accuracy of 20° of the input shaft.

At a glance

- 2 to 6 switching contacts, independently adjustable (depending on type)
- Max. operating range: 3,400 revolutions
- Enclosure rating: IP67
- Operating temperature range: 0 °C ... +85 °C (type dependent)
- Housing size: Ø100 mm

Your benefits

- Large operating range with up to 3,400 revolutions
- Easy integration due to stepless adjustment of the switching points via screwdriver
- High flexibility due to multiple switching stages
- High reliability and high switching accuracy due to proven technology



Additional information

Fields of application	3
Detailed technical data	3
Ordering information	4
Dimensional drawings	4
PIN assignment	5
Accessories	6

Fields of application

Measurement of end positions in different industries: Working platforms, materials handling, mechanical engineering

Detailed technical data

	341C	342C	343C
Weight	1.3 kg	1.5 kg	1.8 kg
Number of independently adjustable switching contacts	2	4	6
Operating speed	≤ 6,000 min		
Permissible Load capacity of shaft	200 N (axial) 200 N (radial)		
Total translation	4,580/1		
Max. working range	3,400 revolutions		
Repeatability of the switching points	< 20 degree		
Switching hysteresis	< 150 degree		
Switching cam length	1,150 revolutions		
Forced opening	1 revolution		
Max. actuation frequency	200/min		
Operating temperature range	0 ... +70 °C		0 ... +85 °C
Storage temperature range	0 ...+85 °C		
Resistance to shocks	30/11 g/ms single shock (according to EN 60068-2-27) 10/16 g/ms continuous shock (according to EN 60068-2-27)		
Resistance to vibration	10 – 200 Hz 0.03 g ² /Hz (according to EN 60068-2-6) 200 – 2000 Hz 0.03 – 0.01 g ² /Hz (according to EN 60068-2-6)		
Enclosure rating	IP65, IP67 (according to IEC 60529) ¹⁾		
Supply voltage	24 V ²⁾		
Rated current	2 A		
Protection class	III (according to DIN EN 61140) ²⁾		

¹⁾ With mating connector inserted

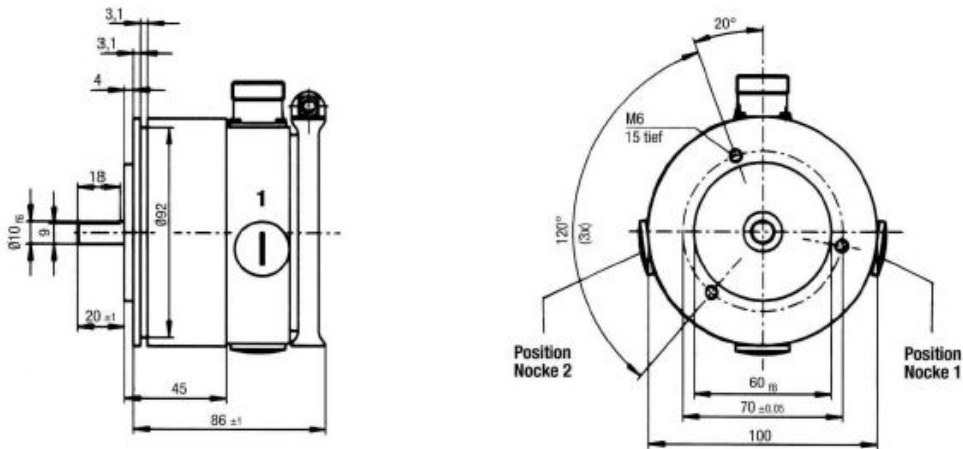
²⁾ The supply voltage is to be generated from systems of safety extra-low voltage SELV/PELV.

Ordering information

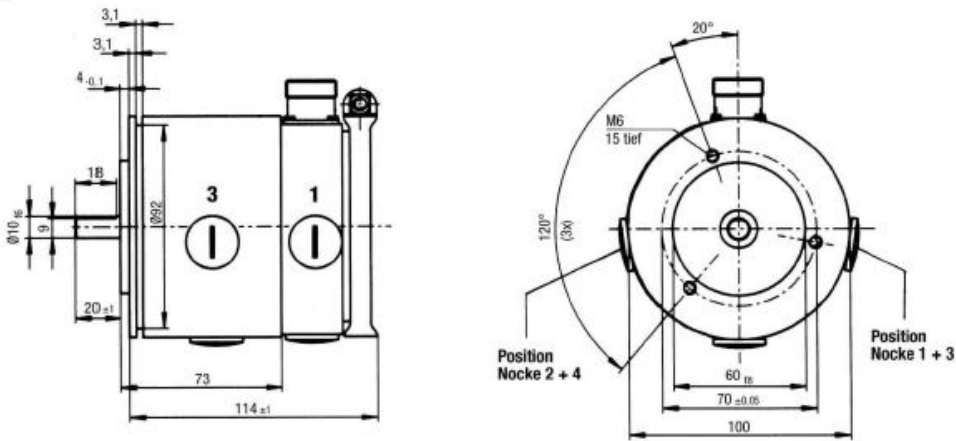
Description	Type	Part no.
2 switching contacts	EG341C-81B001012058	1124602
4 switching contacts	EG342C-81B001012059	1124604
6 switching contacts	EG343C-81B001012018	1124606

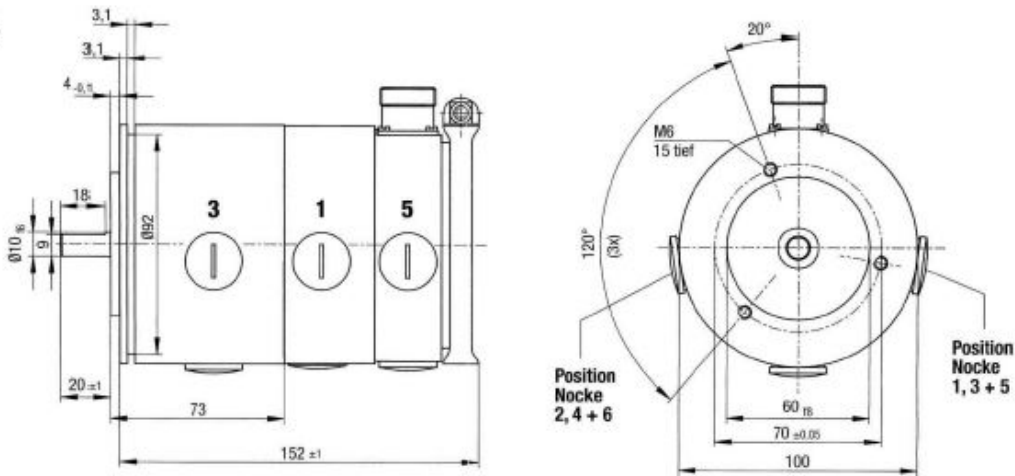
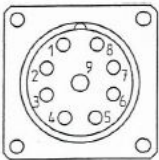
Dimensional drawings (Dimensions in mm)

EG341C



EG342C




EG343C

PIN assignment


PIN	EG341	EG342
1	Switch 1 (normally closed)	Switch 1 (normally closed)
2		
3	Switch 2 (normally closed)	Switch 2 (normally closed)
4		
5	n.c.	Switch 3 (normally closed)
6	n.c.	
7	n.c.	Switch 4 (normally closed)
8	n.c.	
9	n.c.	n.c.

PIN	EG343	Erklärung
1	Switch 1 (normally closed)	Mechanism 1
2	Centre of switch 1/2	
3	Switch 2 (normally closed)	
4	Switch 3 (normally closed)	Mechanism 2
5	Centre of switch 3/4	
6	Switch 4 (normally closed)	Mechanism 3
7	Switch 5 (normally closed)	
8	Centre of switch 5/6	
9	Switch 6 (normally closed)	

Accessories

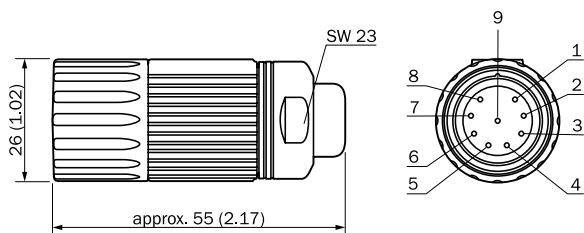
Plug connectors and cables

Figure	Brief description	Type	Part no
	Head A: Female connector, M23, 9-pin, straight, shielded, for cable diameter 5.5 mm ... 10.5 mm Head B: - Operating temperature: -20 °C ... +130 °C Signal type: HIPERFACE®, SSI, Incremental	DOS-2309-G	6 028 533

Maßzeichnungen → [Seite 5](#)

Dimensional drawings for accessories (Dimensions in mm (inch))

Plug connectors and cables



WORKING WITH SICK IN A DIGITAL WORLD

Making your digital business environment comfortable

Find a suitable solution in next to no time

- Online product catalog
- Application Solver
- Online configurators and selectors

My SICK is your personal self-service portal

- Open around the clock
- Clear product information
- Company-specific price conditions
- Convenience during the ordering process
- Document overview
- Availability and delivery times

Register now:

→ www.sick.com/myBenefits

Even more value






- Digital Customer Trainings → www.sick.com/c/g300887
- Digital Service Catalog → cloud.sick.com
- SICK AppPool → apppool.cloud.sick.com



SERVICES FOR MACHINES AND PLANTS: SICK LifeTime Services

Our comprehensive and versatile LifeTime Services are the perfect addition to the comprehensive range of products from SICK. The services range from product-independent consulting to traditional product services.



- 
Consulting and design
 Safe and professional
- 
Product and system support
 Reliable, fast, and on-site
- 
Verification and optimization
 Safe and regularly inspected
- 
Upgrade and retrofits
 Easy, safe, and economical
- 
Training and education
 Practical, focused, and professional

SICK AT A GLANCE

SICK is a leading manufacturer of intelligent sensors and sensor solutions for industrial applications. With more than 10,400 employees and over 50 subsidiaries and equity investments as well as numerous agencies worldwide, SICK is always close to its customers. A unique range of products and services creates the perfect basis for controlling processes securely and efficiently, protecting individuals from accidents, and preventing damage to the environment.

SICK has extensive experience in various industries and understands their processes and requirements. With intelligent sensors, SICK delivers exactly what the customers need. In application centers in Europe, Asia, and North America, system solutions are tested and optimized in accordance with customer specifications. All this makes SICK a reliable supplier and development partner.

Comprehensive services round out the offering: SICK LifeTime Services provide support throughout the machine life cycle and ensure safety and productivity.

That is “Sensor Intelligence.”

Worldwide presence:

Australia, Austria, Belgium, Brazil, Canada, Chile, China, Czech Republic, Denmark, Finland, France, Germany, Great Britain, Hungary, Hong Kong, India, Israel, Italy, Japan, Malaysia, Mexico, Netherlands, New Zealand, Norway, Poland, Romania, Russia, Singapore, Slovakia, Slovenia, South Africa, South Korea, Spain, Sweden, Switzerland, Taiwan, Thailand, Turkey, United Arab Emirates, USA, Vietnam.

Detailed addresses and further locations → www.sick.com