

deTec4 Core Ex II 3GD

Safety light curtain

SICK
Sensor Intelligence.



Described product

deTec4 Core Ex II 3GD

Manufacturer

SICK AG
Erwin-Sick-Str. 1
79183 Waldkirch
Germany

Legal information

This work is protected by copyright. Any rights derived from the copyright shall be reserved for SICK AG. Reproduction of this document or parts of this document is only permissible within the limits of the legal determination of Copyright Law. Any modification, abridgment or translation of this document is prohibited without the express written permission of SICK AG.

The trademarks stated in this document are the property of their respective owner.

© SICK AG. All rights reserved.

Original document

This document is an original document of SICK AG.



Contents

1	About this document.....	6
1.1	Purpose of this document.....	6
1.2	Scope.....	6
1.3	Target groups of these operating instructions.....	6
1.4	Additional information.....	6
1.5	Symbols and document conventions.....	7
2	Safety information.....	8
2.1	General safety notes.....	8
2.2	Correct use.....	9
2.3	Inappropriate use.....	9
2.4	Requirements for the qualification of personnel.....	9
3	Product description.....	11
3.1	Structure and function.....	11
3.2	Product characteristics.....	12
3.2.1	Device overview.....	12
3.2.2	Absence of blind zones.....	12
3.2.3	Automatic calibration of the protective field width.....	12
3.2.4	Alignment aid.....	12
3.2.5	Status indicators.....	12
3.3	Example applications.....	14
4	Project planning.....	16
4.1	Manufacturer of the machine.....	16
4.2	Operating entity of the machine.....	16
4.3	Design.....	16
4.3.1	Scanning range and protective field width.....	17
4.3.2	Minimum distance from the hazardous point.....	17
4.3.3	Minimum distance to reflective surfaces.....	20
4.3.4	Protection against interference from systems in close proximity to each other.....	21
4.4	Integration in electrical control.....	22
4.4.1	Restart interlock.....	24
4.4.2	External device monitoring (EDM).....	25
4.4.3	Connection diagrams.....	26
4.5	Testing plan.....	26
4.5.1	Test rod check.....	27
4.5.2	Visual check of the machine and the protective device.....	30
5	Mounting.....	31
5.1	Unpacking.....	31
5.2	Installation.....	31
5.2.1	Mounting the QuickFix bracket.....	34

5.2.2	Mounting the FlexFix bracket.....	36
5.2.3	Mounting the Compact FlexFix bracket.....	39
5.2.4	Mounting the upgrade bracket.....	40
5.3	Affixing labels.....	41
6	Electrical installation.....	42
6.1	Safety.....	42
6.2	System connection (M12, 5-pin).....	43
6.3	System connection via connection cable (M12, 5-pin to 8-pin).....	44
7	Commissioning.....	45
7.1	Overview.....	45
7.2	Switching on.....	45
7.3	Sender and receiver alignment.....	45
7.3.1	Aligning the sender and receiver.....	46
7.3.2	Alignment with the QuickFix bracket.....	47
7.3.3	Alignment with the FlexFix bracket or with the upgrade bracket.....	47
7.3.4	Alignment with the Compact FlexFix bracket.....	48
7.3.5	Indication of the alignment quality.....	49
7.4	Check during commissioning and modifications.....	50
8	Operation.....	51
8.1	Regular thorough check.....	51
9	Maintenance.....	52
9.1	Regular cleaning.....	52
9.2	Regular thorough check.....	53
10	Troubleshooting.....	54
10.1	Safety.....	54
10.2	Diagnostic LEDs.....	54
10.2.1	Fault indicators.....	54
11	Decommissioning.....	56
11.1	Disposal.....	56
12	Technical data.....	57
12.1	Data sheet.....	57
12.2	Response time.....	59
12.3	Power consumption.....	59
12.4	Length of cable.....	60
12.5	Table of weights.....	60
12.6	Dimensional drawings.....	61
13	Ordering information.....	62
13.1	Scope of delivery.....	62
13.2	Ordering information.....	62

14	Accessories.....	64
14.1	Brackets.....	64
14.2	Mounting accessories.....	66
14.3	Connectors.....	66
14.4	Alignment aid.....	67
14.5	Deflector mirrors.....	68
14.5.1	Function and use.....	68
14.5.2	Mounting.....	68
14.5.3	Change in scanning range using deflector mirrors.....	68
14.5.4	Deflector mirror PNS75 - ordering information.....	69
14.5.5	Deflector mirror PNS125 - ordering information.....	69
14.6	Mirror columns.....	70
14.7	Device columns.....	70
14.8	Cleaning agent.....	70
14.9	Test rods.....	70
15	Annex.....	72
15.1	Conformities and certificates.....	72
15.1.1	EU declaration of conformity.....	72
15.1.2	UK declaration of conformity.....	72
15.2	Note on standards.....	72
15.3	Checklist for initial commissioning and commissioning.....	74
16	List of figures.....	75
17	List of tables.....	76

1 About this document

1.1 Purpose of this document

These operating instructions contain information required during the life cycle of the safety light curtain.

These operating instructions are available to all those who work with the safety light curtain.

Please read these operating instructions carefully and make sure that you understand the content fully before working with the safety light curtain.

1.2 Scope

This document applies to the following products:

- Product code: deTec4 Core Ex II 3GD
- "Operating instructions" type label entry: 8021794

Document identification

Document part number:

- This document: 8021796
- Available language versions of this document: 8021794

You can find the current version of all documents at www.sick.com.

1.3 Target groups of these operating instructions

Some sections of these operating instructions are intended for certain target groups. However, the entire operating instructions are relevant for intended use of the product.

Table 1: Target groups and selected sections of these operating instructions

Target group	Sections of these operating instructions
Project developers (planners, developers, designers)	"Project planning", page 16 "Technical data", page 57 "Accessories", page 64
Installers	"Mounting", page 31
Electricians	"Electrical installation", page 42
Safety experts (such as CE authorized representatives, compliance officers, people who test and approve the application)	"Project planning", page 16 "Commissioning", page 45 "Technical data", page 57 "Checklist for initial commissioning and commissioning", page 74
Operators	"Operation", page 51 "Troubleshooting", page 54
Maintenance personnel	"Maintenance", page 52 "Troubleshooting", page 54

1.4 Additional information

www.sick.com

The following information is available on the Internet:

- Data sheets and application examples
- CAD data and dimensional drawings

- Certificates (e.g. EU declaration of conformity)
- Guide for Safe Machinery Six steps to a safe machine

1.5 Symbols and document conventions

The following symbols and conventions are used in this document:

Safety notes and other notes



DANGER

Indicates a situation presenting imminent danger, which will lead to death or serious injuries if not prevented.



WARNING

Indicates a situation presenting possible danger, which may lead to death or serious injuries if not prevented.



CAUTION

Indicates a situation presenting possible danger, which may lead to moderate or minor injuries if not prevented.



NOTICE

Indicates a situation presenting possible danger, which may lead to property damage if not prevented.



NOTE

Indicates useful tips and recommendations.

Instructions to action

- ▶ The arrow denotes instructions to action.
- 1. The sequence of instructions for action is numbered.
- 2. Follow the order in which the numbered instructions are given.
- ✓ The check mark denotes the result of an instruction.

LED symbols

These symbols indicate the status of an LED:

- The LED is off.
- ◐ The LED is flashing.
- The LED is illuminated continuously.

Sender and receiver

These symbols indicate the sender and receiver of the device:

- ➡ The symbol indicates the sender.
- ⬅ The symbol indicates the receiver.

2 Safety information

2.1 General safety notes

**DANGER**

The product can not offer the expected protection if it is integrated incorrectly.

- ▶ Plan the integration of the product in accordance with the machine requirements (project planning).
 - ▶ Implement the integration of the product in accordance with the project planning.
-

**DANGER**

Death or severe injury due to electrical voltage and/or an unexpected startup of the machine

- ▶ Make sure that the machine is (and remains) disconnected from the voltage supply during mounting and electrical installation.
 - ▶ Make sure that the dangerous state of the machine is and remains switched off.
-

**DANGER**

Improper work on the product

A modified product may not offer the expected protection if it is integrated incorrectly.

- ▶ Apart from the procedures described in this document, do not repair, open, manipulate or otherwise modify the product.
-

**WARNING**

Risk of ineffectiveness of the protective device

Please observe the following information to ensure safe and correct use of the device.

- ▶ Special national and international regulations and guidelines apply for the mounting, use, commissioning, and regular technical inspection of electrical devices in explosion-hazardous areas, in particular ATEX Directive 2014/34/EU and the IECEx scheme. Manufacturers of and entities operating machines using the safety light curtain are responsible for ensuring that all applicable safety regulations and guidelines are complied with.
 - ▶ These operating instructions must be made available to the operator of the machine on which the device is used. Qualified safety personnel must instruct the operator on how to use the device. The operator must also be directed to read and follow the operating instructions.
-

**DANGER**

Risk of ignition

Failure to observe this instruction can result in a risk of ignition from potential sparking.

- ▶ Ensure that only accessories that are approved for explosion-hazardous areas are used.
-

**NOTICE**

UV radiation can reduce the service life and resistance of the front screen. When used in an explosion proof area, the front screen may not be exposed to any UV radiation (e.g., sunlight).

- ▶ Select a mounting position in which the front screen is not exposed to UV radiation.

**NOTICE**

Mechanical loads

The device passes the impact test required by the applicable standards.

Plastic device components must not be subjected to mechanical loads greater than 4 joules.

Transparent parts (front screen) must not be subjected to mechanical loads greater than 2 joules.

2.2 Correct use

The deTec4 Core Ex II 3GD safety light curtain is an electro-sensitive protective device (ESPE) and is suitable for the following applications:

- Hazardous point protection
- Access protection
- Hazardous area protection

The product may be used in safety functions.

The deTec4 Core Ex II 3GD safety light curtain must only be used within the limits of the prescribed and specified technical data and operating conditions at all times.

Any instance of improper use, incorrect modification, or manipulation of the deTec4 Core Ex II 3GD safety light curtain shall void any warranty provided by SICK AG; furthermore, SICK AG shall not accept any responsibility or liability for any resulting damage and consequential damage.

2.3 Inappropriate use

The safety light curtain works as an indirect protective measure and cannot provide protection from parts thrown out nor from emitted radiation. Transparent objects are not detected.

Among others, the deTec4 Core Ex II 3GD safety light curtain is not suitable for the following applications:

- Outdoors
- Underwater
- At altitudes over 3,000 m above sea level
- In environments with increased levels of ionizing radiation

2.4 Requirements for the qualification of personnel

The safety light curtain must only be configured, installed, connected, commissioned and serviced by qualified safety personnel.

Project planning

You need safety expertise to implement safety functions and select suitable products for that purpose. You need expert knowledge of the applicable standards and regulations.

Mounting, electrical installation and commissioning

You need suitable expertise and experience. You must be able to assess if the machine is operating safely.

Operation and maintenance

You need suitable expertise and experience. You must be instructed in machine operation by the machine operator. For maintenance, you must be able to assess if the machine is operating safely.

3 Product description

3.1 Structure and function

Overview

The deTec4 Core Ex II 3GD safety light curtain is an electro-sensitive protective device (ESPE) consisting of a sender and receiver.

A series of parallel infrared light beams forms a protective field between sender and receiver that protects the hazardous area (hazardous point, access, and hazardous area protection). When one or more beams are completely interrupted, the safety light curtain reports the interruption in the light path to the secure output signal switching devices (OSSDs) by a signal change. The machine or its control must safely analyze the signals (for example using a safe control or safety relays) and stop the dangerous state.

Sender and receiver automatically synchronize themselves optically. An electrical connection between both components is not required.

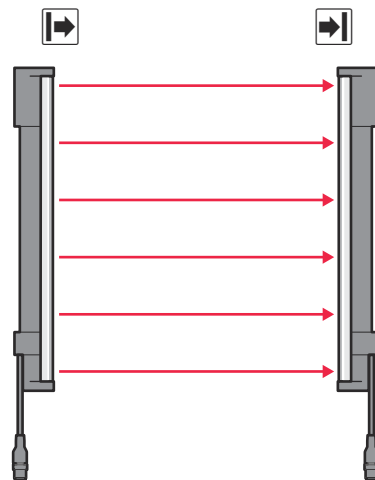


Figure 1: Sender and receiver

Protective field height

The protective field height indicates the range within which the test rod belonging to the safety light curtain is reliably detected.

Protective field width

The protective field width is the dimension of the light path between sender and receiver. The maximum protective field width is limited by the scanning range.

Resolution

The resolution describes the size of the smallest object detected by the safety light curtain in the protective field. The resolution corresponds to the diameter of the test rod belonging to the safety light curtain.

The safety light curtain has a resolution of 14 mm. This resolution provides finger protection.

The safety light curtain has a resolution of 30 mm. This resolution provides hand protection.

Scanning range

The scanning range is the maximum protective field width.

The scanning range is reduced by using deflector mirrors.

Further topics

- ["Data sheet", page 57](#)
- ["Deflector mirrors", page 68](#)

3.2 Product characteristics

3.2.1 Device overview

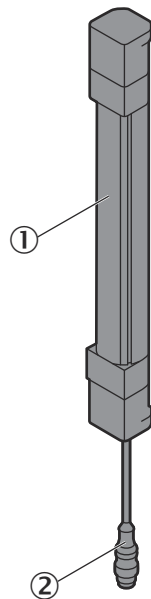


Figure 2: Device overview

- ① Sender or receiver
- ② System connection

3.2.2 Absence of blind zones

The design and construction of the safety light curtain extends the protective function of a device to the end of the housing without any blind spots. The absence of blind zones reduces the space requirement when integrated in the machine.

3.2.3 Automatic calibration of the protective field width

When switched on, the safety light curtain automatically calibrates to the protective field width.

3.2.4 Alignment aid

Alignment quality LEDs are installed in the receiver of the safety light curtain. To perform a simple alignment of the receiver, the alignment quality LEDs indicate the alignment quality once the safety light curtain has been switched on.

3.2.5 Status indicators

Overview

The sender and receiver LEDs indicate the operational status of the safety light curtain.

Sender displays

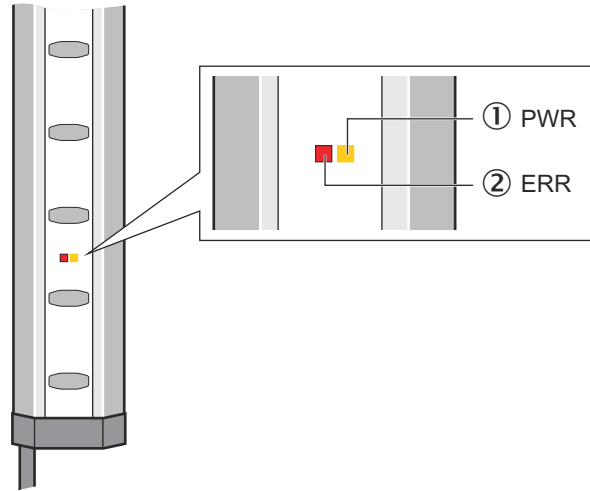


Figure 3: Sender displays

2 LEDs on the sender indicate the operational status:

Position	LED color	Display	Labeling
①	Yellow	Status indicator	PWR
②	Red	Fault indicator	ERR

Receiver displays

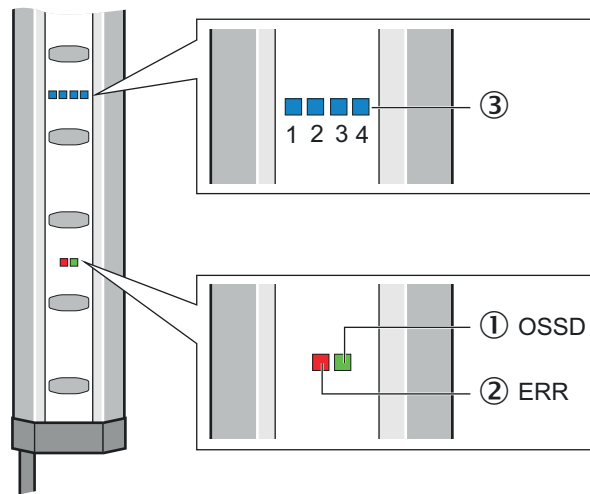


Figure 4: Receiver displays

6 LEDs on the receiver indicate the operational status:

Position	LED color	Display	Labeling
①	Red/green	OSSD status	OSSD
②	Red	Fault indication	ERR
③	Blue	Alignment quality	1, 2, 3, 4

The blue alignment quality light emitting diodes in combination with the red flashing ERR LED also denote faults.

Further topics

- "Diagnostic LEDs", page 54

3.3 Example applications

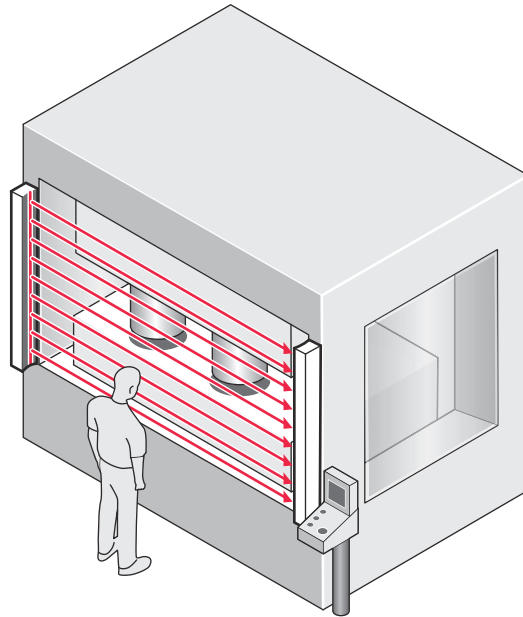


Figure 5: Hazardous point protection

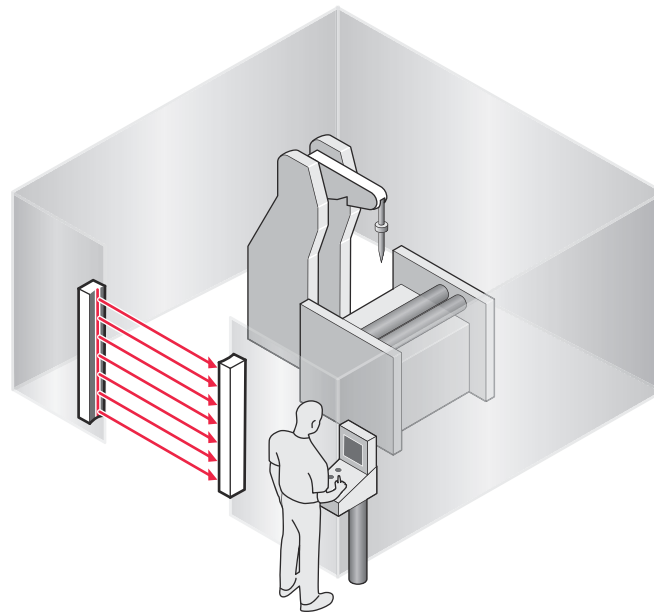


Figure 6: Access protection

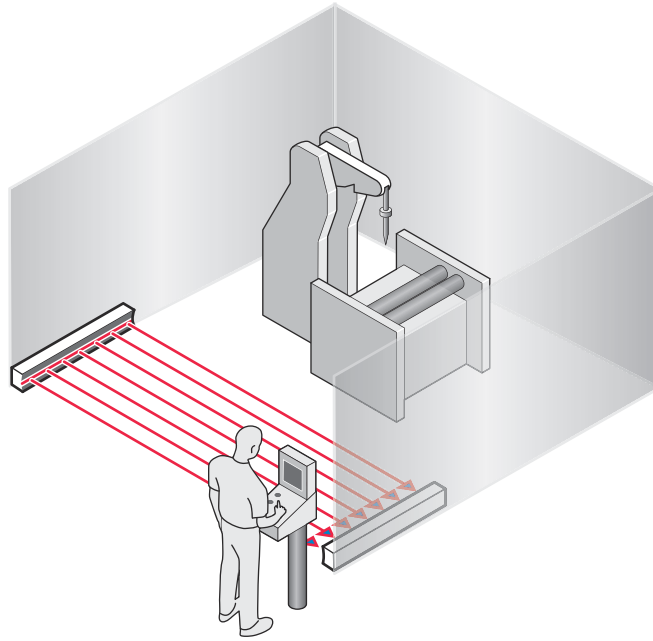


Figure 7: Hazardous area protection

4 Project planning

4.1 Manufacturer of the machine

The manufacturer of the machinery must carry out a risk assessment and apply appropriate protective measures. Further protective measures may be required in addition to the product.

The product must not be tampered with or changed, except for the procedures described in this document.

The product must only be repaired by the manufacturer of the product or by someone authorized by the manufacturer. Improper repair can result in the product not providing the expected protection.

4.2 Operating entity of the machine

Changes to the electrical integration of the product in the machine controller and changes to the mechanical mounting of the product necessitate a new risk assessment. The results of this risk assessment may require the entity operating the machine to meet the obligations of a manufacturer.

The product must not be tampered with or changed, except for the procedures described in this document.

The product must only be repaired by the manufacturer of the product or by someone authorized by the manufacturer. Improper repair can result in the product not providing the expected protection.

4.3 Design

Overview

This chapter contains important information about the design.

Important information



DANGER

Hazard due to lack of effectiveness of the protective device

Persons and parts of the body to be protected may not be recognized in case of non-observance.

- ▶ Make sure that the following construction requirements are met so that the safety light curtain can fulfill its protective function.
 - Sender and receiver must be arranged such that persons or parts of the body are reliably detected when they enter the hazardous area.
 - Reaching under, over, and around as well as moving the safety light curtain must be prevented.
 - Check whether additional safety measures (e.g. restart interlocking) are necessary when it is possible for people to be located between the protection system and the danger point without being detected.
-

**DANGER**

Hazard due to lack of effectiveness of the protective device

Persons and parts of the body to be protected may not be recognized in case of non-observance.

- ▶ Make sure that the optical properties of the front screens of the sender and receiver are not changed, e.g., by:
 - beading water, mist, frost, or ice formation. If applicable, remove films or other types of contamination, disconnect the voltage supply of the receiver and then switch it back on.
 - Scratches or damage. Replace the device whose front screen is scratched or damaged.
- ▶ Make sure that all reflective surfaces and objects maintain a minimum distance from the protective field.
- ▶ Make sure that no dispersive media (e.g., dust, fog, or smoke) are within the calculated minimum distance from the protective field.

Further topics

- ["Mounting", page 31](#)

4.3.1 Scanning range and protective field width**Important information****DANGER**

Hazard due to lack of effectiveness of the protective device

Persons and parts of the body to be protected may not be recognized in case of non-observance.

- ▶ The safety light curtain can only be mounted to machines on which the protective field width does not change when the safety light curtain is switched on.

Protective field width

The protective field width is the dimension of the light path between sender and receiver. The maximum protective field width is limited by the scanning range.

The protective field width is automatically calibrated when the safety light curtain is switched on during initialization and must not be changed during operation.

Scanning range

The scanning range limits the maximum protective field width. The protective field width cannot change during operation.

The scanning range is reduced by using deflector mirrors.

Further topics

- ["Minimum distance to reflective surfaces", page 20](#)
- ["Technical data", page 57](#)
- ["Deflector mirrors", page 68](#)

4.3.2 Minimum distance from the hazardous point**Overview**

A minimum distance must be maintained between the safety light curtain and the hazardous point. This distance is required to prevent a person or part of their body from reaching the hazardous point before the end of the machine's dangerous state.

Calculation of the minimum distance according to ISO 13855

The calculation of the minimum distance is based on international or national standards and statutory requirements applicable at the place of installation of the machine.

If the minimum distance is calculated according to ISO 13855, then it depends on the following points:

- Machine stopping time (time interval between triggering the sensor function and the end of the machine's dangerous state)
- Response time of the protective device
- Reach or approach speed of the person
- Resolution (detection capability) of the safety light curtain
- Type of approach: orthogonal (at right angles) or parallel
- Parameters specified based on the application

For the USA (scope of OSHA and ANSI), different regulations may apply, e.g.:

- a) Laws: Code of Federal Regulations, Title 29 (CFR 29), Part 1910.217
- b) Standards: ANSI B11.19

Complementary information

More information is available in the ISO 13855 standard and in the Guide for Safe Machinery.

SICK offers a stopping/run-down time measurement service in many countries.

Further topics

- ["Response time", page 59](#)

4.3.2.1 Calculating minimum distance from the hazardous point

Important information



DANGER

Minimum distance from the hazardous point is too small

The dangerous state of the machine may not be stopped or not be stopped in a timely manner due to a minimum distance that is too small.

- ▶ Calculate the minimum distances for the machine in which the safety light curtain is integrated.
 - ▶ When mounting the safety light curtain, observe the minimum distance.
-

Approach

The example shows the calculation of the minimum distance in accordance with ISO 13855 for an orthogonal (right-angled) approach to the protective field. A different calculation may be required depending on the application and the ambient conditions (e.g., for a protective field parallel to or at any angle to the direction of approach or an indirect approach).

1. First, calculate S using the following formula:

$$S = (K \times T) + 8 \times (d - 14 \text{ mm})$$

Where:

- S = minimum distance in millimeters (mm)
- K = approach speed (stepping and/or gripping speed) of a person or a body part (mm/s), e.g. 2,000 mm/s
- T = machine stopping time + response time of the protective device after interruption in the light path in seconds (s)
- d = resolution of the safety light curtain in millimeters (mm)

2. If the result S is ≤ 500 mm, then use the determined value as the minimum distance.
3. If the result S is > 500 mm, then recalculate S with an approach speed of 1,600 mm/s as follows:

$$S = 1,600 \text{ mm/s} \times T + 8 \times (d - 14 \text{ mm})$$
4. If the new value S is > 500 mm, then use the newly determined value as the minimum distance.
5. If the new value S is ≤ 500 mm, then use 500 mm.

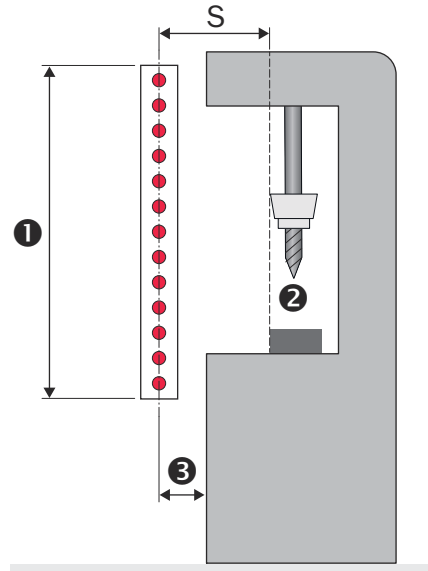


Figure 8: Minimum distance to the hazardous point for orthogonal (rectangular) approach to the protective field

- ① Protective field height
- ② Hazardous point
- ③ Depending on the application and distance, persons must be prevented from standing behind the protective device.

Example calculation

Machine stopping time = 290 ms

Response time after interruption of the light path = 30 ms

Resolution of the safety light curtain = 14 mm

$$T = 290 \text{ ms} + 30 \text{ ms} = 320 \text{ ms} = 0.32 \text{ s}$$

$$S = 2,000 \text{ mm/s} \times 0.32 \text{ s} + 8 \times (14 \text{ mm} - 14 \text{ mm}) = 640 \text{ mm}$$

$S > 500$ mm, therefore:

$$S = 1,600 \text{ mm/s} \times 0.32 \text{ s} + 8 \times (14 \text{ mm} - 14 \text{ mm}) = 512 \text{ mm}$$

4.3.2.2 Taking reach over into account

In accordance with ISO 13855, it must not be possible to defeat the ESPE. If access to the hazardous area by reaching over a protective field cannot be prevented, the height of the protective field and minimum distance of the ESPE must be determined. This is done by comparing the calculated values based on the possible detection of limbs or body parts with the values resulting from reaching over the protective field. The greater value resulting from this comparison must be used.

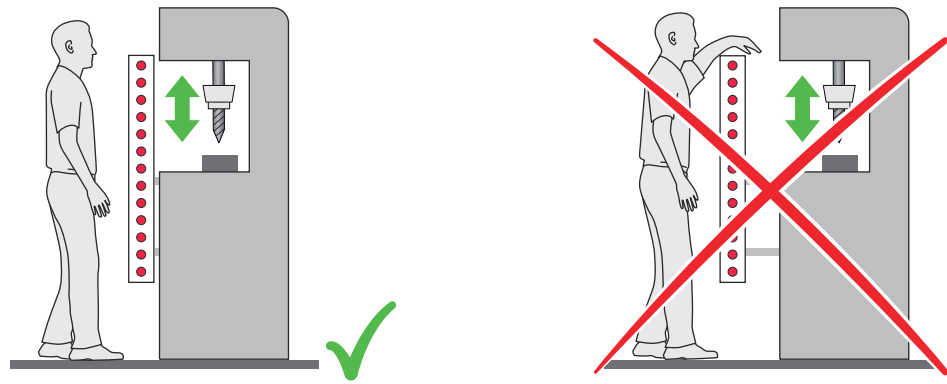


Figure 9: Representation of the accessibility of ESPE by reaching over. Left: Protective field that cannot be reached over. Right: Protective field that can be reached over.

4.3.3 Minimum distance to reflective surfaces

Overview

The light beams from the sender may be deflected by reflective surfaces and dispersive media. This may prevent an object from being detected.

Therefore, all reflective surfaces and objects (e.g. material bins, machine table, etc.) must maintain a minimum distance (a) from the protective field. This minimum distance (a) must be maintained on all sides of the protective field. This applies in horizontal, vertical and diagonal directions as well as at the end of the safety light curtain.

The minimum distance (a) depends on the distance (D) between sender and receiver (protective field width).

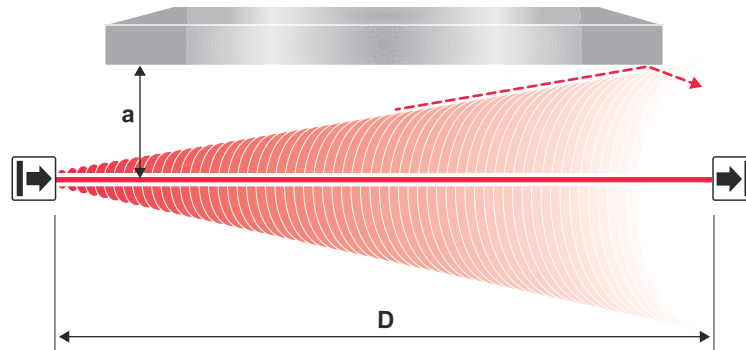


Figure 10: Minimum distance from reflective surfaces

Important information



DANGER

Hazard due to lack of effectiveness of the protective device

Reflective surfaces and dispersive media can prevent persons or parts of the body to be protected from being properly reflected and, therefore, remain undetected.

- ▶ Make sure that all reflective surfaces and objects maintain a minimum distance from the protective field.
- ▶ Make sure that no dispersive media (e.g., dust, fog, or smoke) are within the calculated minimum distance from the protective field.

Determining minimum distance from reflective surfaces with automated calibration of the protective field width

The minimum distance can be determined as follows:

- ▶ Determine the distance between sender and receiver D in meters (m).
- ▶ Read the minimum distance a in millimeters (mm) in the graph or calculate using the respective formula to determine the minimum distance to reflective surfaces:

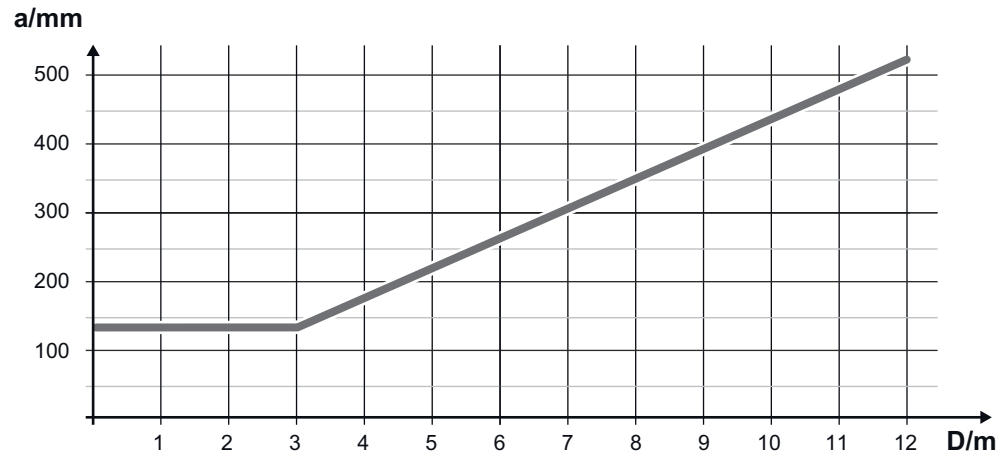


Figure 11: Graph of minimum distance from reflective surfaces

Table 2: Formula for calculating the minimum distance to reflective surfaces with automatic calibration of the protective field width

Distance D between sender and receiver in m	Calculation of the minimum distance (a) to reflective surfaces in mm
$D \leq 3$ m	$a = 131$ mm
$D > 3$ m	$a = \tan(2.5^\circ) \times 1,000 \text{ mm/m} \times D = 43.66 \times 1 \text{ mm/m} \times D$

4.3.4 Protection against interference from systems in close proximity to each other

Overview

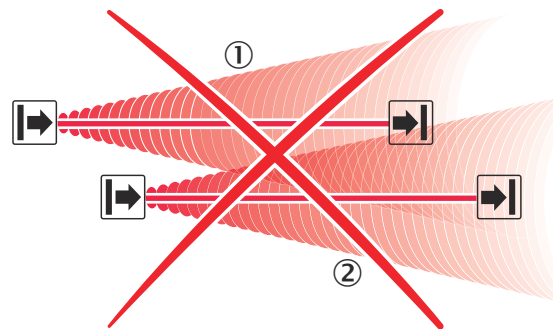


Figure 12: Preventing mutual interference from system ① and system ②

The infrared light beams of the sender of system ① can interfere with the receiver of system ②. This can disrupt the protective function of system ②. This would mean that the operator is at risk.

Avoid such installation situations or take appropriate action, e.g., install optically opaque partitions or reverse the direction of transmission of a system.

Important information



DANGER

Hazard due to lack of effectiveness of the protective device

Systems of safety light curtains in close proximity to each other can mutually interfere with each other.

- ▶ Use appropriate measures to prevent systems in close proximity from interfering with each other.

4.3.4.1 Using reversed direction of transmission

Using reversed direction of transmission

The direction of transmission of the system ② can be changed during mounting by switching the positions of the sender and receiver. With reversed direction of mounting, the receiver ② is not affected by the infrared light from the sender ①.

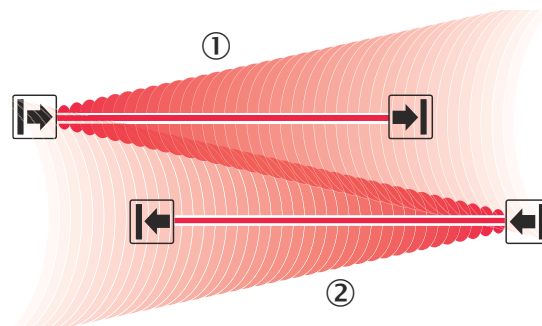


Figure 13: Trouble-free operation due to reversed direction of transmission of system ① and system ②

4.4 Integration in electrical control

Overview

This chapter contains important information about integration in the electrical control. Information about the individual steps for electrical installation of the device: [see "Electrical installation", page 42](#).

Important information



DANGER

Hazard due to lack of effectiveness of the protective device

In the case of non-compliance, it is possible that the dangerous state of the machine may not be stopped or not stopped in a timely manner.

- ▶ Make sure that the following control and electrical requirements are met so that the product can fulfill its protective function.

Requirements for use

The output signals of the protective device must be analyzed by downstream controllers in such a way that the dangerous state of the machine is ended safely. Depending on the safety concept, signal evaluation is carried out e.g. with safety relays or with a safety controller.

- It must be possible to electrically influence the control of the machine.
- The electrical control of the machine must meet the requirements of IEC 60204-1.

- A restart interlock must be implemented depending on applicable national regulations or required reliability of the safety function. Because the protective device does not have an integrated restart interlock, this must be implemented in the external control, if required.
- When using a safety controller, different signal levels of both OSSDs must be detected depending on applicable national regulations or required reliability of the safety function. The maximum discrepancy time tolerated by the controller must be selected according to the application
- The OSSD1 and OSSD2 output signals must not be connected to each other.
- In the machine controller, the signals of both OSSDs must be processed separately.

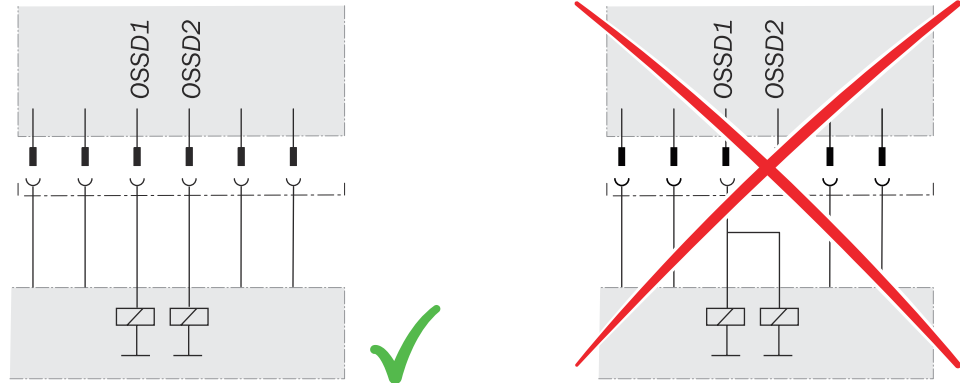


Figure 14: Dual-channel and isolated connection of OSSD1 and OSSD2

- The machine must switch to the safe state at any time if at least one of the two OSSDs switches to the OFF state
- Prevent the formation of a potential difference between the load and the protective device. If you connect loads to the OSSDs (switch outputs) that then also switch if controlled with negative voltage (e.g., electro-mechanical contactor without reverse polarity protection diode), you must connect the 0 V connections of these loads and those of the corresponding protective device individually and directly to the same 0 V terminal strip. In the event of a fault, this is the only way to ensure that there can be no potential difference between the 0 V connections of the loads and those of the corresponding protective device.

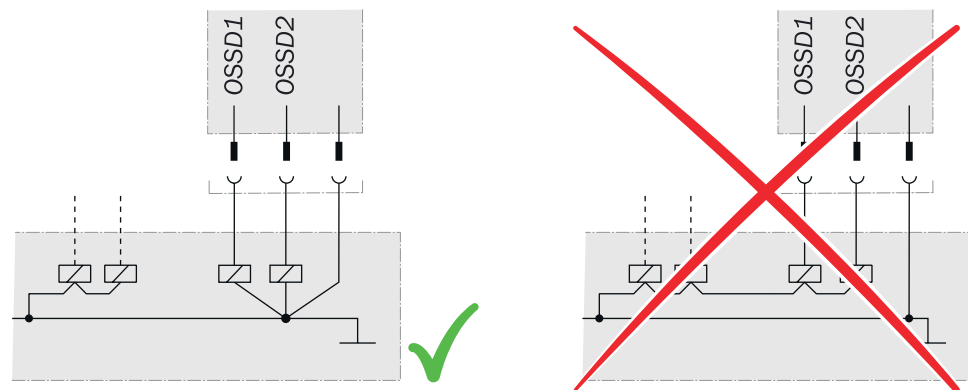


Figure 15: No potential difference between load and protective device



DANGER

Hazard due to lack of effectiveness of the protective device

In the case of non-compliance, it is possible that the dangerous state of the machine may not be stopped or not stopped in a timely manner.

Downstream contactors must be positively guided and monitored depending on applicable national regulations or required reliability of the safety function.

- ▶ Make sure that downstream contactors are monitored (external device monitoring, EDM).



NOTE

Because the protective device does not have integrated external device monitoring, this must be implemented in the external control, if required.

Requirements for the electrical control of the machine

Both outputs are short-circuit protected to 24 V DC and 0 V. When the protective field is clear, the OSSDs are in the ON state. When a switch-off condition is present (e.g., interruption in the light path), the OSSDs are in the OFF state. In the event of a device fault, at least one OSSD is in the OFF state.

The protective device complies with the rules for electromagnetic compatibility (EMC) for the industrial sector (Radio Safety Class A).

Radio interference cannot be ruled out when used in residential areas.

The following requirements are met:

- The external voltage supply of the protective device must be capable of buffering brief power failures of 20 ms as specified in IEC 60204-1.
- The power supply unit must ensure safe isolation according to IEC 61140 (SELV/PELV). Suitable power supply units are available as accessories from SICK.

Further topics

- ["Accessories", page 64](#)

4.4.1 Restart interlock

Overview

The restart interlock prevents the machine from automatically starting up, for example after a protective device has responded while the machine is operating or after changing the machine's operating mode.

Depending on the regulations which apply at the place of installation, a restart interlock may be required.

The protective device does not have an internal restart interlock. You must therefore implement a restart interlock externally via the circuitry or the control if needed, e.g. in connection with the SICK RLY3-OSSD2 / RLY3-OSSD3 safety relay.

Principle of operation

Before the machine can be restarted, the operator must reset the restart interlock.

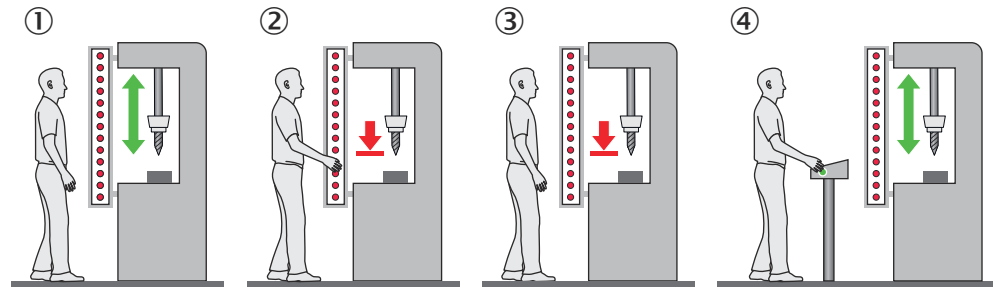


Figure 16: Schematic representation of operation with restart interlock

The dangerous state of the machine (①) is brought to an end if the light path is interrupted (②) and is not re-enabled (③) until the operator presses the reset pushbutton located outside the hazardous area (④). The machine can then be restarted.

Depending on applicable national regulations, a restart interlock must be available if it is possible to stand behind the protective device. Observe IEC 60204-1.

4.4.2 External device monitoring (EDM)

Overview

The external switching elements (external device monitoring, EDM) must be inspected in line with the regulations which apply at the place of installation or the required reliability of the safety function.

External device monitoring (EDM) monitors the status of downstream contactors.

Important information



NOTE

Because the protective device does not have integrated external device monitoring, this must be implemented in the external control, if required.

Prerequisites

- Positively guided contactors are used for shutting down the machine.

4.4.3 Connection diagrams

Connection diagram for RLY3-OSSD2 with restart interlock and external device monitoring

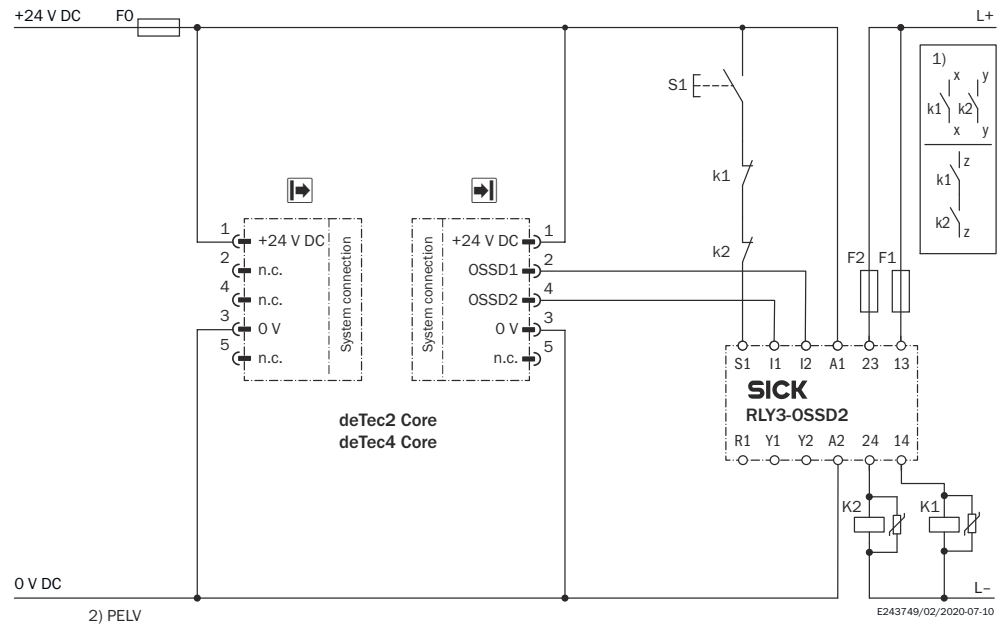


Figure 17: Connection diagram for RLY3-OSSD2 with restart interlock and external device monitoring

- 1) **Output circuits:** These contacts must be incorporated into the control such that the dangerous state is brought to an end if the output circuit is open. For categories 4 and 3, they must be incorporated on dual-channels (x, y paths). Type 2 devices are suitable for use up to PL c. Single-channel incorporation into the control (z path) is only possible with a single-channel control and taking the risk analysis into account.
- 2) **SELV/PELV safety extra-low voltage.**
 - **Task**
Connection of a deTec4 Core Ex II 3GD safety light curtain to a RLY3-OSSD2 safety relay. Operating mode: With restart interlock and external device monitoring.
 - **Mode of operation**
When the protective field is clear, the OSSD 1 and OSSD 2 outputs carry voltage. The system can be switched on when K1 and K2 are in a fault-free de-energized position. The RLY3-OSSD2 is switched on by pressing S1 (pushbutton is pressed and released). The outputs (contacts 13-14 and 23-24) switch the K1 and K2 contactors on. When the protective field is interrupted, the OSSD 1 and OSSD 2 outputs switch the RLY3-OSSD2 off. Contactors K1 and K2 are switched off.
 - **Fault analysis**
Cross-circuits and short-circuits of the OSSDs are recognized and lead to the locking status (lock-out). A malfunction with one of the K1 or K2 contactors is detected. The switch-off function is retained. In the event of manipulation (e.g., jamming) of the S1 pushbutton, the RLY3-OSSD2 will not re-enable the output current circuits.

4.5 Testing plan

The manufacturer of the machine and the operating entity must define all required checks. The definition must be based on the application conditions and the risk assessment and must be documented in a traceable manner.

- ▶ When defining the check, please note the following:
 - Define the type and execution of the check.
 - Define the frequency of the check.
 - Notify the machine operators of the check and instruct them accordingly.

The following checks are often defined in connection with a protective device:

- Check during commissioning and modifications
- Regular thorough check

Check during commissioning and modifications

Before commissioning the machine and after making changes, you must check whether the safety functions are fulfilling their planned purpose and whether persons are being adequately protected.

The following points are often helpful for the definition of the check:

- Does the check have to be completed by qualified safety personnel?
- Can the check be completed by specially qualified and authorized personnel?
- Does the check have to be documented in a traceable manner?
- Can the check be carried out according to a check list? (see ["Checklist for initial commissioning and commissioning", page 74](#))
- Do the machine operators know the function of the protective device?
- Have the machine operators been trained to work on the machine?
- Have the machine operators been notified about modifications on the machine?
- Does the hazardous area being secured have to be checked with a test rod? (see ["Test rod check", page 27](#))

- ▶ Define all guidelines for the check.

Regular thorough check

The thorough check is intended to ensure that the safety functions are fulfilling their planned purpose and whether persons are being adequately protected.

The following points are often helpful for the definition of the check:

- Which check must be carried out and how is it carried out?
 - [Test rod check, page 27](#)
 - [Visual check of the machine and the protective device, page 30](#)
- How often does the check have to be carried out?
- Do the machine operators have to be notified of the check and do they need to be instructed accordingly?

- ▶ Define all guidelines for the check.

4.5.1 Test rod check

Overview

The rod test check is used to check whether the hazardous point is only accessible via the protective field of the safety light curtain and whether the protective device is able to identify each time the hazardous point is approached.

The test is carried out with an opaque test rod whose diameter corresponds to the resolution of the safety light curtain.

Important information



DANGER

Use of incorrect test rods

Persons or parts of the body to be protected may not be detected in operation.

- ▶ Only use the included test rod with the diameter specified on the type label of the safety light curtain.
 - ▶ Do not use any test rods with a similar or the same diameter of other safety light curtains.
-



DANGER

Hazard due to unexpected starting of the machine

- ▶ Make sure that the dangerous state of the machine is and remains switched off during the check.
 - ▶ Make sure that the outputs of the safety light curtain have no effect on the machine during the check of the components.
-



DANGER

Hazard due to lack of effectiveness of the protective device

Persons and parts of the body to be protected may not be recognized in case of non-observance.

Do not operate the machine if the OSSD LED lights up green during the test!

- ▶ If the OSSD LED lights up green during the test even if only briefly, work must stop at the machine.
 - ▶ In this case, the mounting and electrical installation of the safety light curtain must be checked by qualified safety personnel.
-

Prerequisites

- The OSSD LED lights up green.

Approach

1. Move the test rod slowly through the area to be protected (e.g., machine opening), as indicated by the arrow, [see figure 18, page 29](#).
2. Watch the OSSD LED on the receiver during the check. The OSSD LED on the receiver should continuously light up red. The OSSD LED must not illuminate green.

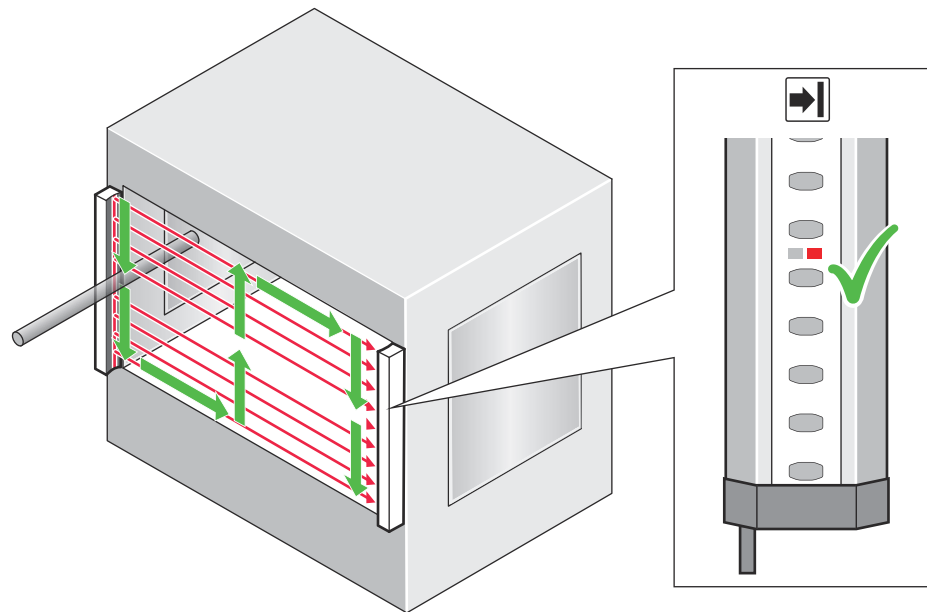


Figure 18: Test rod check: Step 1

3. Then, guide the test rod along the edges of the area to be protected, as indicated by the arrow, [see figure 19](#).
4. Watch the OSSD LED on the receiver during the check. The OSSD LED on the receiver should continuously light up red. The OSSD LED must not illuminate green.

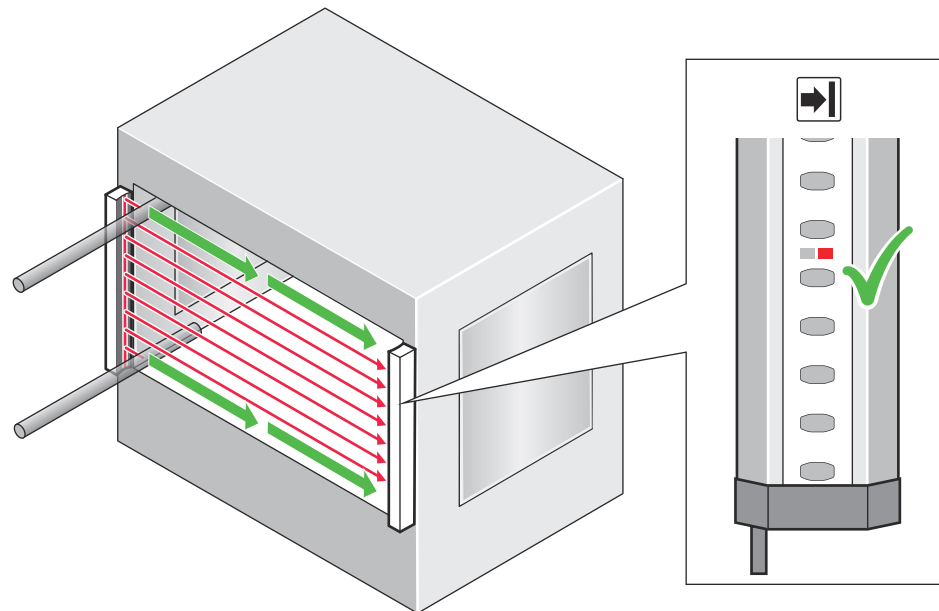


Figure 19: Test rod check: Step 3

5. If one or more deflector mirrors are used, then the test rod should also be guided slowly through the area to be protected directly in front of the deflector mirrors.
6. Watch the OSSD LED on the receiver during the check. The OSSD LED on the receiver should continuously light up red. The OSSD LED must not illuminate green.

4.5.2 Visual check of the machine and the protective device

The following points are often helpful for the definition of the check:

- Has the machine been retrofitted?
- Have machine parts been removed?
- Have modifications been made to the surroundings of the machine?
- Have the protective device or its parts been dismantled?
- Is it possible to enter the hazardous area without being detected?
- Is the protective device damaged?
- Is the protective device severely contaminated?
- Is the front screen contaminated, scratched or destroyed?
- Are there any damaged cables or open cable ends?

If one of the points applies, the machine should be shut down immediately. In this case, the machine and the protective device must be checked by appropriately qualified safety personnel.

5 Mounting

5.1 Unpacking

Approach

1. Check the components for completeness and the integrity of all parts.
2. In the event of complaints, contact the responsible SICK subsidiary.

Further topics

- ["Ordering information", page 62](#)

5.2 Installation

Important information



DANGER

Hazard due to lack of effectiveness of the protective device

Persons or parts of the body to be protected may not be recognized or not recognized in time in case of non-observance.

- ▶ Observe the calculated minimum distances for the machine in which the safety light curtain is integrated.
 - ▶ Then, mount the safety light curtain such that it is not possible to reach over, under or around, or to stand behind the safety light curtain, and that the light curtain cannot be repositioned.
-



DANGER

Hazard due to lack of effectiveness of the protective device

Persons and parts of the body to be protected may not be recognized in case of non-observance.

- ▶ The safety light curtain can only be mounted to machines on which the protective field width does not change when the safety light curtain is switched on.
-



DANGER

Hazard due to lack of effectiveness of the protective device

Persons and parts of the body to be protected may not be recognized in case of non-observance.

- ▶ The end with the cable connection must point in the same direction for the sender and receiver.
-

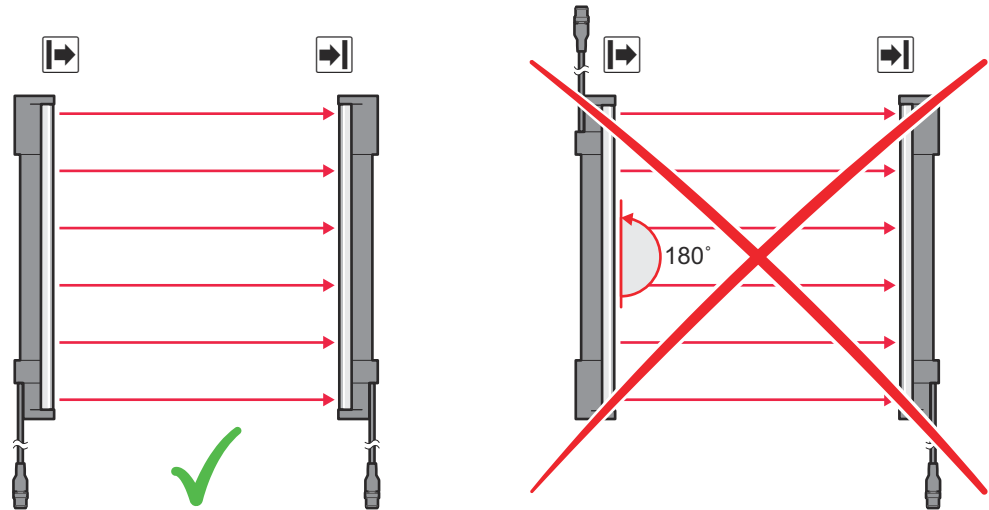


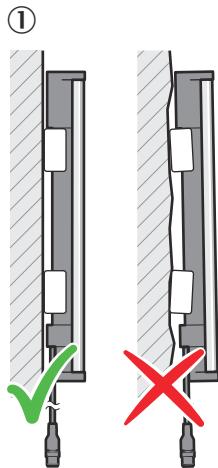
Figure 20: Sender and receiver must not be installed such that they are rotated 180° relative to each other

Prerequisites

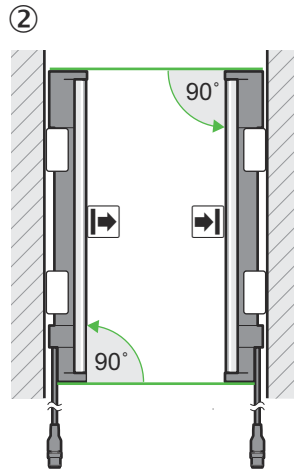
- Project planning is completed.
- Assembly is carried out according to the project planning.
- Dangerous condition of the machine is and remains switched off during mounting.
- The outputs of the device do not affect the machine during mounting.
- Only use SICK-approved brackets for mounting.
- Take appropriate measures for vibration damping if vibration and shock specifications exceed the values and test conditions specified in the data sheet.

Notes on mounting

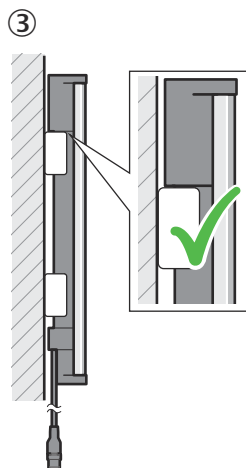
- ▶ Mount the sender and receiver on a level surface (①).



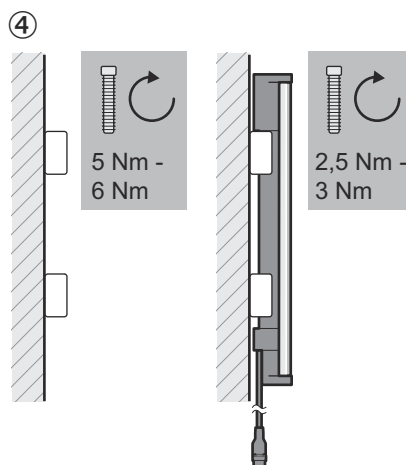
- ▶ Mount the sender and receiver such that a right-angled protective field is established, i.e. when mounted vertically at the same height. For minor adjustments during alignment, the sender and receiver can be adjusted longitudinally in the brackets (②).



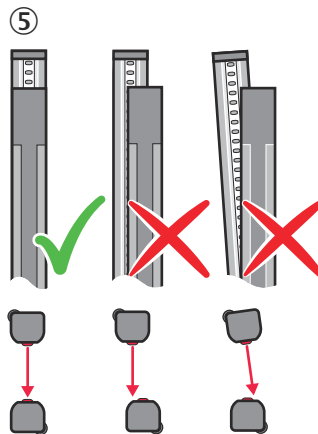
- Position the brackets near the ends of the housing. For devices with a protective field height > 300 mm, the distance between the bracket and the end of the housing must not exceed 1/4 of the length of the housing. If the device is exposed to strong vibrations during operation, mount the top bracket at a height where the offset in the safety light curtain housing rests on the bracket (③).



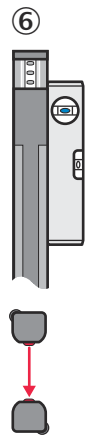
- Tightening torque for the screws used to mount the bracket: 5 Nm to 6 Nm. Tightening torque for the screws used to secure the safety light curtain in the bracket: 2.5 Nm to 3 Nm (④). Higher torques can damage the bracket, while lower torques are not secure enough to prevent the safety light curtain from moving.



- ▶ Make sure that the sender and receiver are aligned correctly. The optical lens systems of the sender and the receiver must be located opposite one another (⑤).



- ▶ If necessary, use a spirit level to check that the components are parallel (⑥).



Further topics

- ["Minimum distance from the hazardous point", page 17](#)
- ["Minimum distance to reflective surfaces", page 20](#)
- ["Sender and receiver alignment", page 45](#)
- ["Alignment with the QuickFix bracket", page 47](#)
- ["Alignment with the FlexFix bracket or with the upgrade bracket", page 47](#)

5.2.1 Mounting the QuickFix bracket

Overview

2 QuickFix brackets are used to mount the sender and receiver.

The QuickFix bracket consists of 2 parts, which are pushed into each other. The two individual parts are connected with an M5 screw and the housing (sender or receiver) is clamped with form-fit clamping.

The two mounting surfaces for the brackets of the sender or receiver must be parallel and lie in the same plane.

Important information



NOTE

The following should be considered when mounting the QuickFix bracket:

- Select the appropriate length of the M5 screw to prevent any risk of injury from an overrun.
- When selecting the screw length, observe the wall thickness and the depth of the countersunk screw of the QuickFix bracket, see figure 36, page 65



NOTE

The QuickFix bracket has cable routing. Depending on the installation, the cable routing can make mounting easier.

Mount QuickFix bracket on a machine or profile frame

Table 3: Side and rear mounting with the QuickFix bracket

Mounting method	Description
On the side	Fasten the M5 screw to the machine or profile frame through the QuickFix bracket. A screw nut or threaded hole is required on the machine or profile frame (①).
	Fasten the M5 screw to the QuickFix bracket through the machine or profile frame. A screw nut is required for each QuickFix bracket (②).
	Fasten the M5 screw to the profile frame through the QuickFix bracket. A sliding nut is required on the profile frame (③).
On the back	Fasten the M5 screw to the machine or profile frame through the QuickFix bracket. A screw nut or threaded hole is required on the machine or profile frame (④).

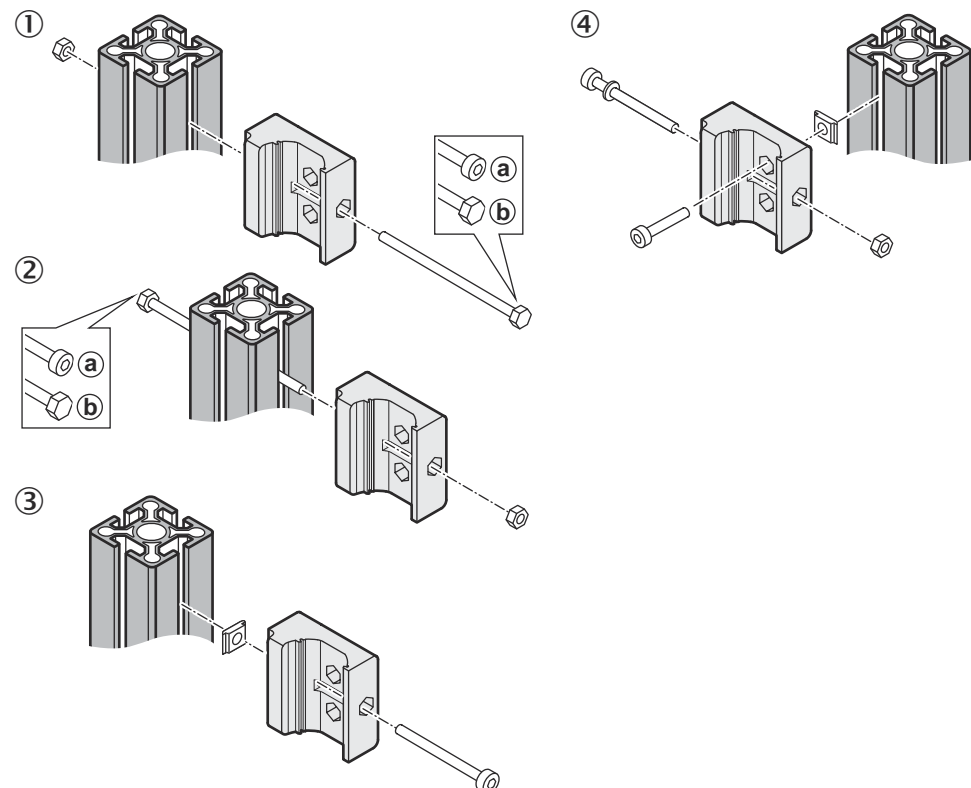


Figure 21: Mounting the QuickFix bracket to a profile

5.2.2 Mounting the FlexFix bracket

Overview

In the FlexFix bracket, the sender and receiver can be rotated $\pm 15^\circ$ around their longitudinal axis.

2 FlexFix brackets are used to mount the sender and receiver.

Important information



NOTICE

The housing of the safety light curtain can become scratched if the screw heads protrude when the FlexFix brackets are mounted on the back.

This can be avoided by taking one of the following measures:

- ▶ Use flat-head screws with washers.
- ▶ If using cylinder head screws, use 2 screws per bracket and no washers.



NOTE

The FlexFix mounting kit (part number 2073543) contains 2 FlexFix brackets, one alignment tool, and the required screws, sliding nuts, and washers.

Further topics

- ["Brackets", page 64](#)

5.2.2.1 Mounting the FlexFix bracket on a machine or profile frame

Important information



NOTE

When selecting the screw length, the wall thickness of the FlexFix bracket must be taken into account.

Mounting type

Table 4: Lateral and rear mounting with the FlexFix bracket

Mounting method	Description
On the side	With the M5 screw through the FlexFix bracket on the machine or profile frame. A screw nut or threaded hole is required on the machine or profile frame (①).
	With the M5 screw through the FlexFix bracket on the profile frame. 2 sliding nuts are required on the profile frame (②).
On the back	With the M5 screw through the FlexFix bracket on the machine or profile frame. A screw nut or threaded hole is required on the machine or profile frame (③).

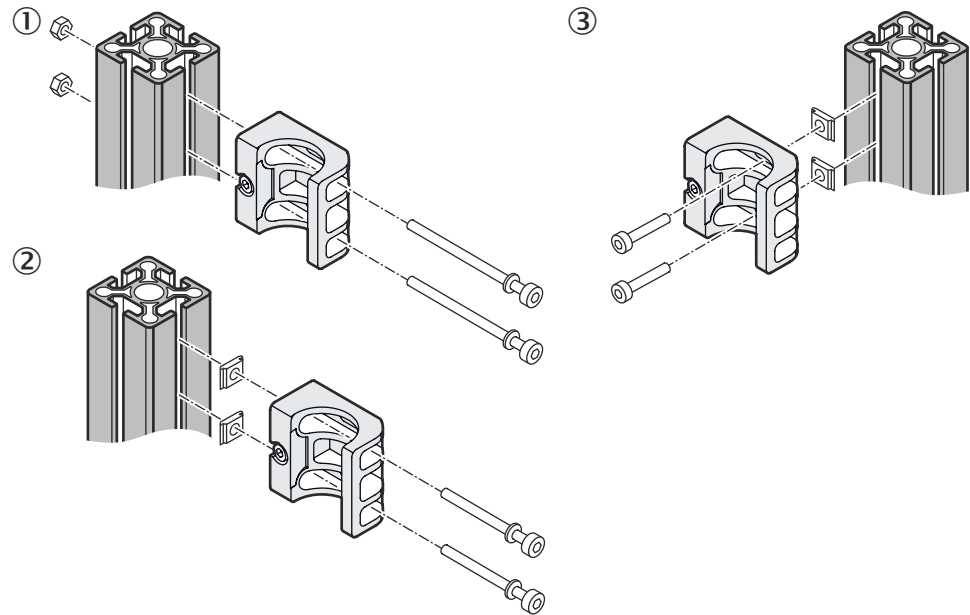


Figure 22: Mounting the FlexFix bracket to a profile frame

Approach

1. After assembling the FlexFix brackets, screw the sender or receiver into the FlexFix brackets from the front. (①)
2. Align the sender and receiver. (②)
3. Use an M5 screw to secure the position of the sender and receiver in the FlexFix bracket. (③)

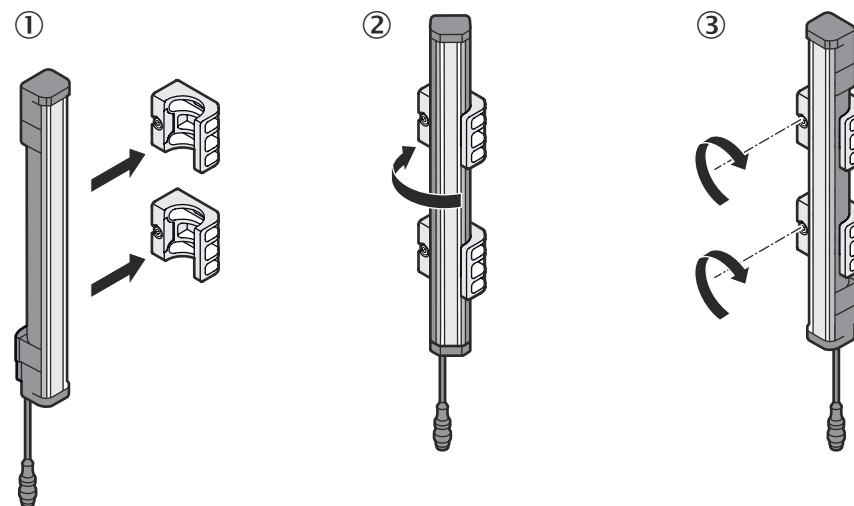


Figure 23: Inserting the safety light curtain in the FlexFix brackets



NOTE

The protective device can only be screwed in when both FlexFix brackets are in alignment.

Recommendation:

1. Only hand-tighten the screws on the FlexFix brackets at first.
2. Align the two FlexFix brackets. To do this, place a straightedge or spirit level, for example, on the screw mounting surfaces of the FlexFix brackets that are not being used.
3. Tighten the screws.

Further topics

- ["Sender and receiver alignment", page 45](#)
- ["Brackets", page 64](#)

5.2.2.2 Mount FlexFix bracket to the back of a device column

Overview

The FlexFix bracket can be mounted in the device column using sliding nuts.

Use washers between the FlexFix brackets and the device column if you want to mount the sender and receiver in the center of the device column.

Approach

1. After assembling the FlexFix brackets, screw the sender or receiver into the FlexFix brackets from the front.
2. Align the sender and receiver.
3. Use an M5 screw to secure the position of the sender and receiver in the FlexFix bracket.

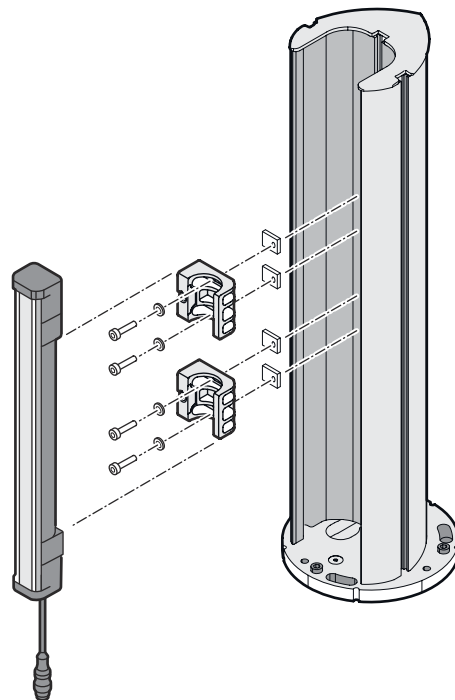


Figure 24: Mounting the FlexFix bracket on a device column (accessory)

Further topics

- ["Sender and receiver alignment", page 45](#)

5.2.3 Mounting the Compact FlexFix bracket**Overview**

With a Compact FlexFix bracket, you can mount the sender and receiver closer to the machine or profile frame.

2 Compact FlexFix brackets are used to mount the sender and receiver.

Exempt are devices with a protective field height of 150 mm. One Compact FlexFix bracket on each the sender and receiver is sufficient for mounting.

In the Compact FlexFix bracket, the sender and receiver can be rotated $\pm 15^\circ$ around their longitudinal axis.

Important information**NOTICE**

The housing of the safety light curtain can become scratched if the screw heads protrude when the Compact FlexFix brackets are mounted on the back.

This can be avoided by taking the following measure:

- ▶ Use countersunk screws without washer.

**NOTICE**

The AR60 optional laser alignment aid can be used from a protective field height of 250 mm.

Mounting method

Table 5: Side and rear mounting of the Compact FlexFix bracket on a machine or profile frame

Mounting method	Description
On the side	With the M5 screw through the Compact FlexFix bracket on the machine or profile frame. A screw nut or threaded hole is required on the machine or profile frame (①).
	With the M5 screw through the Compact FlexFix bracket on the profile frame. 2 sliding nuts are required on the profile frame (②).
On the back	With the M5 countersunk screw through the Compact FlexFix bracket on the machine or profile frame. A screw nut or threaded hole is required on the machine or profile frame (③).

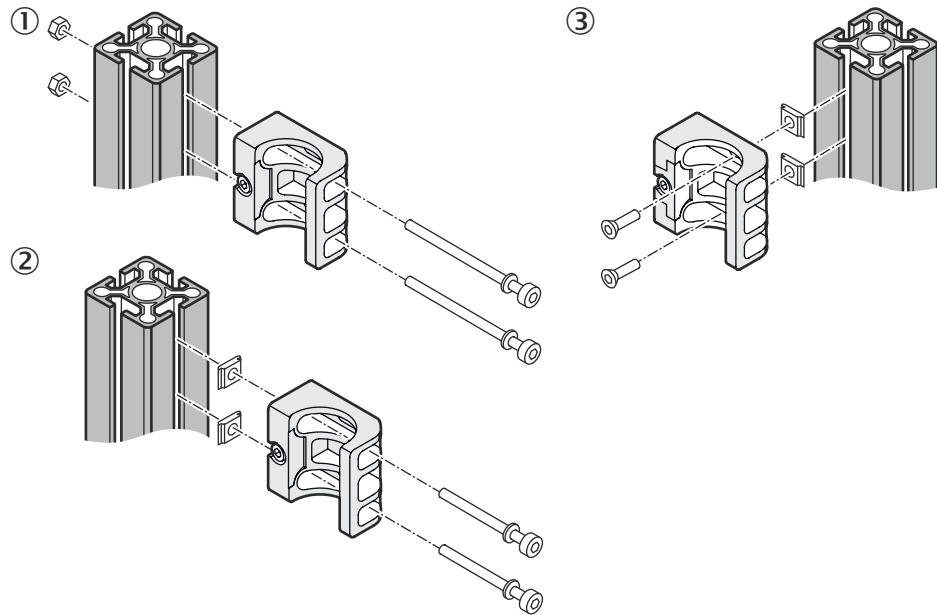


Figure 25: Mount the Compact FlexFix bracket on a profile frame

Approach

1. After assembling the Compact FlexFix brackets, screw the sender or receiver into the Compact FlexFix brackets from the front. (①)
2. Align the sender and receiver. (②)
3. Use an M5 screw to secure the position of the sender and receiver in the Compact FlexFix bracket.(③)

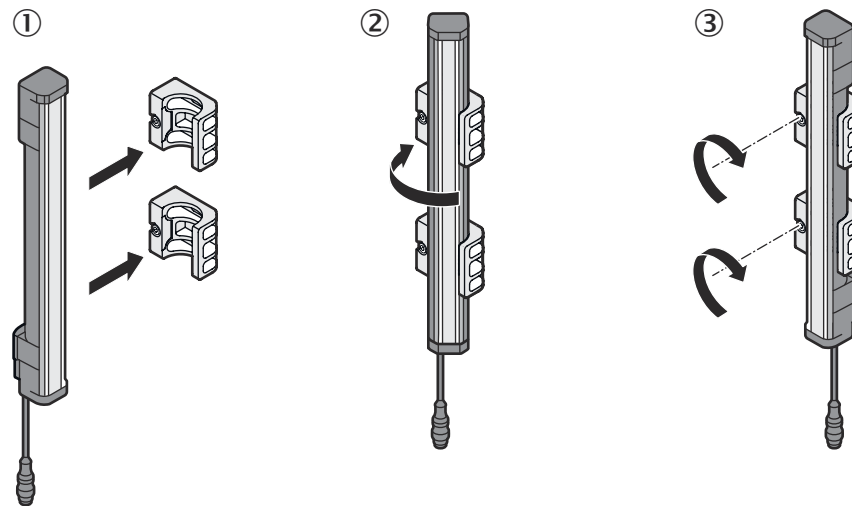


Figure 26: Inserting the safety light curtain in the Compact FlexFix brackets

5.2.4 Mounting the upgrade bracket

Overview

If an existing C4000 safety light curtain is mounted with a swivel-mount bracket or with a side bracket, it can be replaced with a deTec4 Core Ex II 3GD safety light curtain using a replacement bracket. There is no need to drill new holes, since the existing ones can be used for the replacement bracket.

Complementary information

Additional information for mounting a safety light curtain with a replacement bracket can be found in the mounting instructions for the replacement bracket.

5.3 Affixing labels

Note on explosion protection

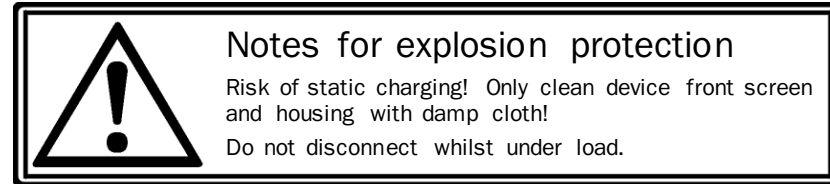


Figure 27: Notes for explosion protection

- ▶ Affix one “Notes for explosion protection” label each in a visible location in direct proximity to the sender and receiver or to the electrical connections. Note the following information:
 - Use the “Notes for explosion protection” label in the language of the machine operator. Use multiple labels if additional languages are required for other operators.
 - Affix labels such that they are highly visible for each operator during operation of the machine. The labels must not be concealed from view, even when additional objects or equipment are installed.

CCC Ex certificate

When the safety light curtain is used in China, a CCC Ex label must be applied to the system connector of the receiver. The label contains all the type code details in Chinese.

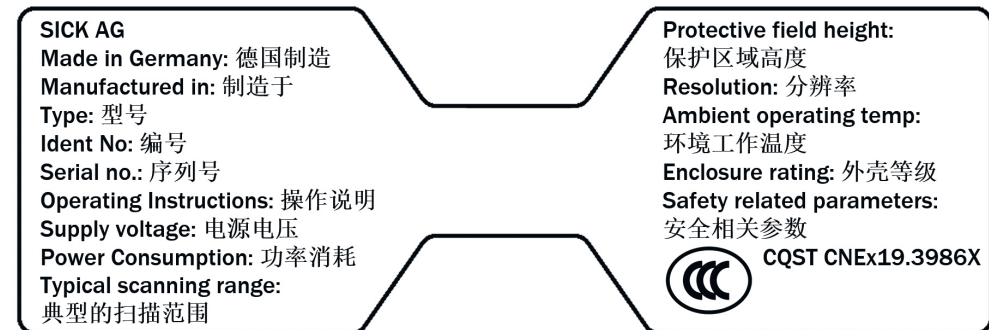


Figure 28: Example of an CCC Ex label

- ▶ Apply the “CCC Ex” label to the system connection of the receiver in such a way that it is clearly visible.

6 Electrical installation

6.1 Safety

Important information



DANGER

Risk of ignition

Failure to observe this information could result in a risk of ignition

- ▶ Always switch the voltage supply off before disconnecting a connecting cable from the device.
 - ▶ Ensure that all electrical connections to the device or to the connections are protected.
 - ▶ The IP enclosure rating for the connections and therefore for the device is only guaranteed if the connections are actually connected or protected. Otherwise foreign objects can enter the terminal compartment. This can cause an explosion the next time the device is switched on.
 - ▶ Take appropriate technical measures to ensure the IP enclosure rating of the connecting cables when the cables are connected and disconnected.
-



DANGER

Hazard due to electrical voltage

Hazard due to unexpected starting of the machine

- ▶ Make sure that the machine is (and remains) disconnected from the voltage supply during the electrical installation.
 - ▶ Make sure that the dangerous state of the machine is (and remains) switched off during electrical installation.
 - ▶ Make sure that the outputs of the safety light curtain have no effect on the machine during the electrical installation work.
 - ▶ Use a suitable voltage supply.
-



DANGER

Hazard due to lack of effectiveness of the protective device

The dangerous state may not be stopped in the event of non-compliance.

- ▶ Always connect the two OSSDs separately. The two OSSDs must not be connected to each other.
 - ▶ Connect the OSSDs such that the machine controller processes both signals separately.
-



DANGER

Hazard due to lack of effectiveness of the protective device

The dangerous state may not be stopped in the event of non-compliance.

- ▶ Prevent the formation of a potential difference between the load and the protective device.
-

Prerequisites

- The safety light curtain has been safely integrated into the control system and the electrical system of the machine.
- Mounting has been correctly executed.

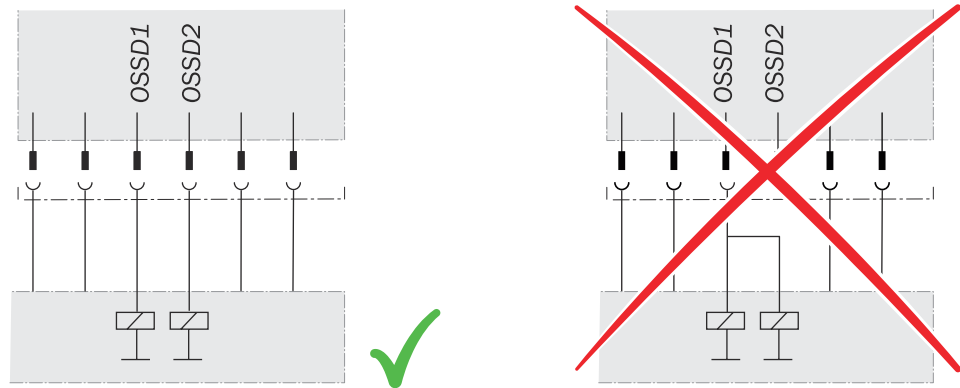
Example: Isolated connection of OSSD1 and OSSD2

Figure 29: Dual-channel and isolated connection of OSSD1 and OSSD2

Avoiding any potential difference between load and protective device

If you connect loads to the output signal switching devices (switching outputs) that then also switch if controlled with negative voltage (e.g., electro-mechanical contactor without reverse polarity protection diode), you must connect the 0 V connections of these loads and those of the corresponding protective device separately and also directly to the same 0 V terminal strip. In the event of a fault, this is the only way to ensure that there can be no potential difference between the 0 V connections of the loads and those of the corresponding protective device.

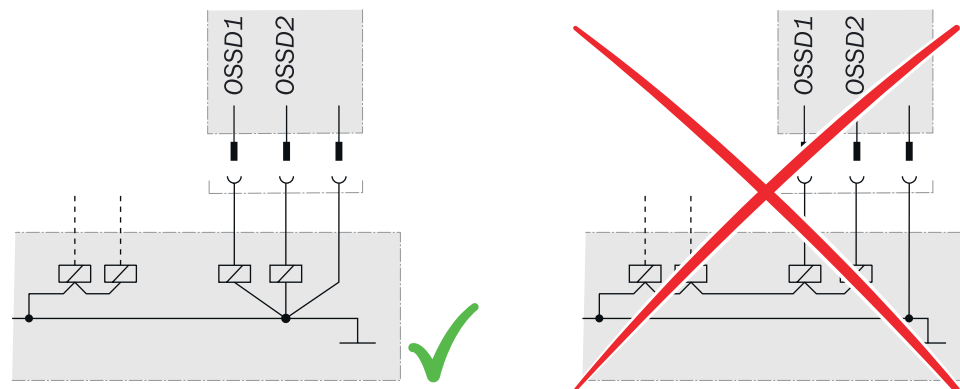


Figure 30: No potential difference between load and protective device

Further topics

- ["Integration in electrical control", page 22](#)
- ["Technical data", page 57](#)

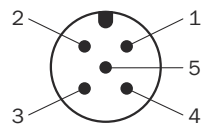
6.2 System connection (M12, 5-pin)

Figure 31: System connection (male connector, M12, 5-pin)

Table 6: System connection pin assignment (male connector, M12, 5-pin)

Pin	Wire color ¹⁾	Sender	Receiver
1	Brown	+24 V DC (voltage supply input)	+24 V DC (voltage supply input)
2	White	Reserved	OSSD1 (output signal switching device 1)
3	Blue	0 V DC (voltage supply input)	0 V DC (voltage supply input)
4	Black	Reserved	OSSD2 (output signal switching device 2)
5	Gray	Not connected	Not connected

¹⁾ Applies to the connecting cables recommended as accessories.

Further topics

- ["Integration in electrical control", page 22](#)

6.3 System connection via connection cable (M12, 5-pin to 8-pin)

An optional connection cable is available to connect the 5-pin system connection to an existing 8-pin female connector. The connection cable can be used to replace an existing C4000 safety light curtain with a deTec4 Core Ex II 3GD, without having to route new cables.

7 Commissioning

7.1 Overview

Prerequisites

- Project planning is completed.
- Mounting is completed.
- Electrical installation is completed.
- Dangerous state of the machine is and remains off during commissioning.
- The outputs of the device do not affect the machine during commissioning.
- The machine has been inspected and released by qualified safety personnel.
- Protective device works properly.
- The protection function is checked after each change to the machine or to the integration or the operating and boundary conditions of the device.

Further topics

- ["Project planning", page 16](#)
- ["Mounting", page 31](#)
- ["Electrical installation", page 42](#)

7.2 Switching on

Overview

After switching on, the sender and receiver initialize. All LEDs of the sender and receiver briefly light up. After initialization, the receiver displays the alignment quality using four blue LEDs. Once the safety light curtain is aligned (OSSD LED: green), the alignment indicator switches off after a certain period of time, and only the PWR LED of the sender and the OSSD LED of the receiver continue to light up.

In the event of a fault, the red fault LED flashes on the respective device. A red fault LED in combination with the blue LEDs shows the cause of the fault on the side of the receiver.

Further topics

- ["Troubleshooting", page 54](#)

7.3 Sender and receiver alignment

Overview

Once mounting and electrical installation are complete, the sender and receiver must be aligned with each other.

Important information



DANGER

Dangerous state of the machine

- ▶ Make sure that the dangerous state of the machine is (and remains) switched off during the alignment process.
- ▶ Make sure that the outputs of the safety light curtain do not affect the machine during the alignment process.

Further topics

- ["Alignment with the QuickFix bracket", page 47](#)
- ["Alignment with the FlexFix bracket or with the upgrade bracket", page 47](#)
- ["Indication of the alignment quality", page 49](#)
- ["Diagnostic LEDs", page 54](#)
- ["Mounting the Compact FlexFix bracket", page 39](#)

7.3.1 Aligning the sender and receiver

Important information



DANGER

Dangerous state of the machine

- ▶ Make sure that the dangerous state of the machine is (and remains) switched off during the alignment process.
 - ▶ Make sure that the outputs of the safety light curtain do not affect the machine during the alignment process.
-

Prerequisites

- Sender and receiver have been mounted correctly

Approach

1. Switch on the voltage supply for the safety light curtain.
 2. Roughly align the sender with the receiver: Rotate the sender so that it points toward the receiver.
 3. Align the receiver with the sender: Rotate the receiver so that as many blue alignment quality light emitting diodes as possible light up on the receiver.
 4. If required, align the sender more precisely with the receiver so that as many alignment quality light emitting diodes as possible light up on the receiver.
 5. If required, align the receiver more precisely with the sender so that as many alignment quality light emitting diodes as possible light up on the receiver.
 6. When at least three (preferably four) alignment quality LEDs light up on the receiver, fasten the components in the brackets. Torque: 2.5 Nm ... 3 Nm.
 7. Switch the voltage supply off and then on again.
 8. Check the alignment quality light emitting diodes to make sure that the components are still correctly aligned with each other.
-



NOTE

Once 3 blue alignment quality light emitting diodes light up, alignment is good and availability is stable.

Please note that body parts of objects in the protective field (e.g., hand, tool, AR60 optional laser alignment aid) may impair the function of the alignment quality LEDs. Remove all objects from the protective field to allow the alignment quality to be assessed.

Complementary information

The AR60 optional laser alignment aid can be used to facilitate alignment.

Since the AR60 optional laser alignment aid is positioned in the protective field of the safety light curtain with the adapter, a maximum of two blue alignment quality LEDs light up and the OSSD LED lights up red. To check whether the OSSD LED of the receiver lights up green, remove the AR60 optional laser alignment aid.

Further topics

- ["Indication of the alignment quality", page 49](#)
- ["Mounting", page 31](#)

7.3.2 Alignment with the QuickFix bracket**Prerequisites**

- The sender and receiver are mounted with a QuickFix bracket

Alignment with the QuickFix bracket

The QuickFix bracket offers you the following adjustment options for aligning the sender and receiver with each other:

- Shift vertically

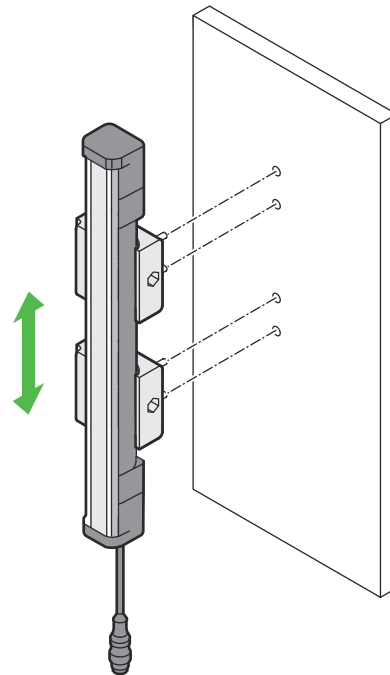


Figure 32: QuickFix bracket: adjust vertically

7.3.3 Alignment with the FlexFix bracket or with the upgrade bracket**Prerequisites**

- A FlexFix bracket or upgrade bracket is used to mount the sender and receiver.

Alignment with the FlexFix bracket or the upgrade bracket

The FlexFix bracket or upgrade bracket offer you the following adjustment options for aligning the sender and receiver with each other:

- Shift vertically
- Rotate ($\pm 15^\circ$)

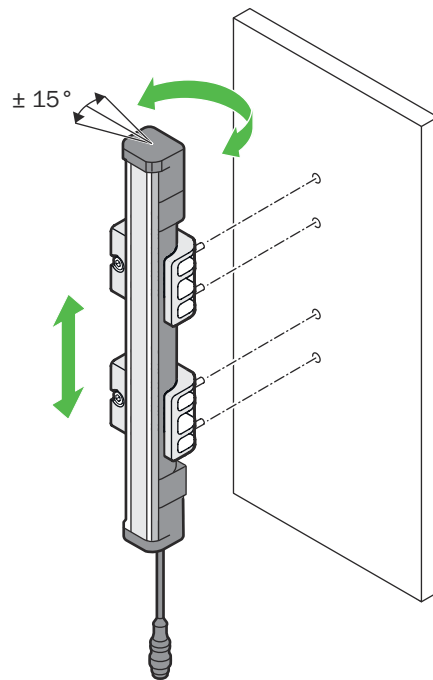


Figure 33: FlexFix bracket: adjust vertically/rotate



NOTE

Recommendation for aligning a long device so that it rotates uniformly in both brackets:

- ▶ Grab the alignment device roughly in the center between the two brackets.

7.3.4 Alignment with the Compact FlexFix bracket

Prerequisites

- The sender and receiver have been mounted using a Compact FlexFix bracket

Alignment with the Compact FlexFix bracket

The Compact FlexFix bracket offers you the following adjustment options for aligning the sender and receiver with each other:

- Shift vertically
- Rotation ($\pm 15^\circ$)

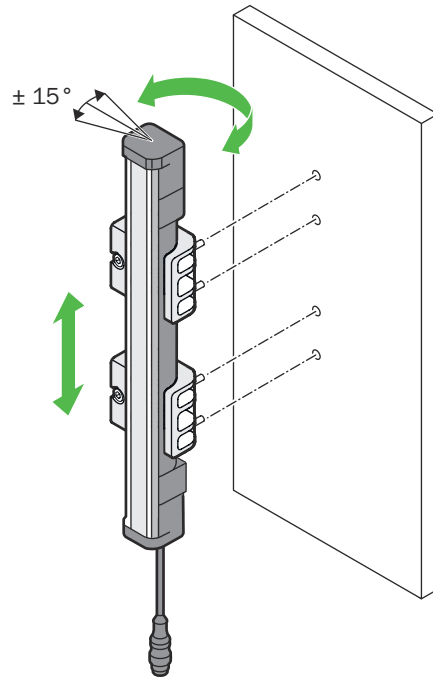


Figure 34: Compact FlexFix bracket: Rotate

7.3.5 Indication of the alignment quality

Important information



NOTE

Once 3 blue alignment quality light emitting diodes light up, alignment is good and availability is stable.

Please note that body parts of objects in the protective field (e.g., hand, tool, AR60 optional laser alignment aid) may impair the function of the alignment quality LEDs. Remove all objects from the protective field to allow the alignment quality to be assessed.

Indication of the alignment quality

Table 7: Indication of the alignment quality

LEDs					Meaning
Alignment quality light emitting diodes				OSSD	
1	2	3	4		
○	○	○	○	● Red	Alignment is insufficient or the protective field is interrupted at least partially. The receiver cannot synchronize with the sender.
● Blue	○	○	○	● Red	Alignment is insufficient or the protective field is interrupted at least partially.
● Blue	● Blue	○	○	● Red	Alignment is insufficient or the protective field is interrupted at least partially.
● Blue	● Blue	○	○	● Green	Alignment is not yet sufficient for stable availability.
● Blue	● Blue	● Blue	○	● Green	Alignment is good, stable availability. ¹⁾

LEDs					Meaning
Alignment quality light emitting diodes				OSSD	
1	2	3	4		
● Blue	● Blue	● Blue	● Blue	● Green	Alignment is very good.

○ LED off. ● LED flashes. ● LED illuminates.

- 1) If the protective fields are very wide, there is a possibility that all four alignment quality LEDs will not light up even when alignment is good.

7.4 Check during commissioning and modifications

The thorough check is intended to ensure that the safety functions are fulfilling their planned purpose and whether persons are being adequately protected.

- ▶ Carry out the checks specified in the test plan of the manufacturer of the machine and the operating entity.

8 Operation

8.1 Regular thorough check

The thorough check is intended to ensure that the safety functions are fulfilling their planned purpose and whether persons are being adequately protected.

- ▶ Carry out the checks specified in the test plan of the manufacturer of the machine and the operating entity.

9 Maintenance

9.1 Regular cleaning

Overview

Depending on the ambient conditions of the safety light curtain, the front screens must be cleaned regularly and in the event of contamination. Static charges can cause dust particles to be attracted to the front screen.

The deflector mirrors also must be cleaned regularly and in the event of contamination.

Important information



DANGER

Risk of ignition or explosion

Static discharge could cause explosions in hazardous atmospheres.

- ▶ Always use anti-static cleaning agents to prevent static charge.
 - ▶ Do not clean the device using a dry cloth.
-



DANGER

Hazard due to lack of effectiveness of the protective device

Persons and parts of the body to be protected may not be recognized in case of non-observance.

- ▶ Regularly check the degree of contamination on all components based on the application conditions.
 - ▶ Observe the information concerning test rod testing.
-



DANGER

Hazard due to lack of effectiveness of the protective device

Persons and parts of the body to be protected may not be recognized in case of non-observance.

- ▶ Make sure that the optical properties of the front screens of the sender and receiver are not changed, e.g., by:
 - beading water, mist, frost, or ice formation. If applicable, remove films or other types of contamination, disconnect the voltage supply of the receiver and then switch it back on.
 - Scratches or damage. Replace the device whose front screen is scratched or damaged.
 - ▶ Make sure that all reflective surfaces and objects maintain a minimum distance from the protective field.
 - ▶ Make sure that no dispersive media (e.g., dust, fog, or smoke) are within the calculated minimum distance from the protective field.
-



NOTICE

- ▶ Do not use any aggressive cleaning agents.
 - ▶ Do not use any abrasive cleaning agents.
 - ▶ We recommend anti-static cleaning agents.
 - ▶ We recommend the use of anti-static plastic cleaner (SICK part number 5600006) and the SICK lens cloth (SICK part number 4003353).
-

Prerequisites

- Dangerous state of the machine is and remains off during cleaning.
- The outputs of the device do not affect the machine during cleaning.

Approach

1. Remove dust from the front screen using a soft, clean brush.
2. Then wipe the front screen with a clean, damp cloth.
3. Check the position of the sender and receiver after cleaning.
4. Check the effectiveness of the protective device.

Further topics

- ["Test rod check", page 27](#)
- ["Minimum distance to reflective surfaces", page 20](#)

9.2 Regular thorough check

The thorough check is intended to ensure that the safety functions are fulfilling their planned purpose and whether persons are being adequately protected.

- ▶ Carry out the checks specified in the test plan of the manufacturer of the machine and the operating entity.

10 Troubleshooting

10.1 Safety



DANGER

Hazard due to lack of effectiveness of the protective device

Persons and parts of the body to be protected may not be recognized in case of non-observance.

- ▶ Immediately shut the machine down if the behavior of the machine cannot be clearly identified.
- ▶ Immediately put the machine out of operation if you cannot clearly identify or allocate the fault and if you cannot safely remedy the fault.
- ▶ Secure the machine so that it cannot switch on unintentionally.



NOTE

Additional information on troubleshooting can be found at the responsible SICK subsidiary.

10.2 Diagnostic LEDs

10.2.1 Fault indicators

Overview



In the event of a fault, the type of fault is indicated by the LED display on the sender or receiver.


Sender

Position of the LEDs: [see "Sender displays", page 13.](#)

Table 8: Fault indication on the sender

LED		Possible cause	Troubleshooting
PWR	ERR		
○	○	No supply voltage or supply voltage is too low or internal fault	<ul style="list-style-type: none"> ▶ Check the voltage supply, see "Technical data", page 57. ▶ Switch the voltage supply off and back on again. ▶ If the fault persists, replace the sender, see "Ordering information", page 62.
○	● Red	The voltage was too high when operating the sender.	<ul style="list-style-type: none"> ▶ Check the voltage supply, see "Technical data", page 57. ▶ Replace the sender, see "Ordering information", page 62.
● Yellow	● Red	Fault in the supply voltage	<ul style="list-style-type: none"> ▶ Check the voltage supply and the power supply unit, see "Technical data", page 57. ▶ Switch the voltage supply off and back on again. ▶ If the fault continues to persist, replace the defective components, see "Ordering information", page 62.

















LED		Possible cause	Troubleshooting
PWR	ERR		
 Yellow	 Red	The sender identified an internal fault.	<ul style="list-style-type: none"> ▶ Switch the voltage supply off and back on again. ▶ If the fault persists, replace the sender, see "Ordering information", page 62.

○ LED off.  LED flashes. ● LED illuminates.

Receiver

Position of the LEDs: see ["Receiver displays"](#), page 13.

Table 9: Fault indication on the receiver

LEDs						Possible cause	Troubleshooting
OSSD	ERR	Alignment quality					
		1	2	3	4		
 Red	 Red	 Blue	○	○	○	An internal fault has occurred.	<ul style="list-style-type: none"> ▶ Switch the voltage supply off and back on again. ▶ If the fault continues to persist, replace the receiver, see "Ordering information", page 62.
 Red	 Red	○	 Blue	○	○	Fault in the supply voltage	<ul style="list-style-type: none"> ▶ Check the voltage supply and the power supply unit, see "Technical data", page 57. ▶ Switch the voltage supply off and back on again. ▶ If the fault continues to persist, replace the receiver, see "Ordering information", page 62.
 Red	 Red	○	○	 Blue	○	The receiver has recognized beams from several senders.	<ul style="list-style-type: none"> ▶ Check the distance to senders of the same design. Make sure that beams from another sender cannot hit the receiver, see "Protection against interference from systems in close proximity to each other", page 21. ▶ Switch the voltage supply off and back on again.
 Red	 Red	○	○	○	 Blue	A fault or unexpected status was identified on the OSSDs of the system connection (e.g., overvoltage, short-circuit to HIGH or short-circuit to LOW, cross-circuit, permissible load capacity exceeded)	<ul style="list-style-type: none"> ▶ Check the system wiring for a fault. Make sure that the OSSDs have been wired correctly, see "Integration in electrical control", page 22. ▶ Switch the voltage supply off and back on again. ▶ If the fault continues to persist, replace the defective components, see "Ordering information", page 62.
 Red	 Red	○	 Blue	○	 Blue	Permanent error in the voltage supply.	<ul style="list-style-type: none"> ▶ Replace device, see "Ordering information", page 62.

○ LED off.  LED flashes. ● LED illuminates.

11 Decommissioning

11.1 Disposal

Approach

- ▶ Always dispose of unusable devices in accordance with national waste disposal regulations.



Complementary information

SICK will be glad to help you dispose of these devices on request.

12 Technical data

12.1 Data sheet

Table 10: General system data

	Minimum	Typical	Maximum
Protective field height, depending on type	300 mm to 2,100 mm, 150-mm steps		
Resolution (detection capability), depending on type	14 mm or 30 mm		
Protective field width ^{1) 2) 3)}			
Resolution 14 mm	0 m ... 8 m	0 m ... 10 m	
Resolution 30 mm	0 m ... 12 m	0 m ... 15 m	
Protection class ⁴⁾	III (IEC 61140)		
Enclosure rating	IP65 (IEC 60529) IP67 (IEC 60529) ⁵⁾		
Supply voltage U _V at the device ^{6) 7) 8)}	19.2 V	24 V	28.8 V
Residual ripple ⁹⁾			± 10%
Synchronization	Optical		
Type	Type 4 (IEC 61496-1)		
Category	Category 4 (ISO 13849-1)		
Performance level ¹⁰⁾	PL e (ISO 13849-1)		
Safety integrity level ¹⁰⁾	SIL 3 (IEC 61508)		
SIL claim limit ¹⁰⁾	SILCL 3 (IEC 62061)		
PFH _D (mean probability of a dangerous failure per hour)	3.7 × 10 ⁻⁹		
T _M (mission time)	20 years (ISO 13849-1)		
Safe status when a fault occurs	At least one OSSD is in the OFF state.		
Power-up delay of sender and receiver after supply voltage is applied			2 s
Equipment group/category II	⊕ II 3G, ⊕ II 3D		
Labeling according to IEC/EC 60079-0, IEC/EC 60079-7, IEC/EC 60079-28 for 3G and IEC/EC 60079-0, IEC/EC 60079-31 for 3D	⊕ II 3G Ex ec op is IIC T4 Gc ⊕ II 3D Ex tc IIIC T135 °C Dc 0 °C < Ta < +55 °C		
Specific operating conditions	X ¹¹⁾		
Intended areas of use	Zone 2, Zone 22		

- 1) If the protective fields are very wide, there is a possibility that all four alignment quality LEDs will not light up even when alignment is excellent.
- 2) The minimum scanning range specifies a range in which a function is guaranteed to operate correctly and safely under industrial conditions. A sufficient level of signal reserve to ensure very high availability is included in the calculation.
- 3) The typical scanning range specifies a range in which the safety light curtain operates correctly and safely under industrial conditions. The level of signal reserve is enough to ensure high availability.
- 4) SELV/PELV safety extra-low voltage.
- 5) IP*7 is not approved for explosion-hazardous areas.
- 6) The external voltage supply must be capable of bridging a brief power failure of 20 ms as specified in IEC 60204-1. Suitable power supply units are available as accessories from SICK.
- 7) A fuse rated maximum 4 A shall be installed in the 24 V DC power supply circuit to the device in order to limit the available current.
- 8) The nominal voltage in explosion-hazardous areas is 24 V DC.

- 9) Within the limits of U_V .
- 10) For more detailed information on the exact configuration of your machine, please contact your relevant SICK subsidiary.
- 11) The symbol "X" refers to the following points: reduced impact resistance of transparent parts, avoidance of static charge, avoidance of UV radiation, temperature range.

Table 11: Technical data for sender

	Minimum	Typical	Maximum
Wavelength of sender		Near-infrared (NIR), invisible	
Weight	Depending on the protective field height, see "Table of weights", page 60		

Table 12: Technical data for receiver

	Minimum	Typical	Maximum
Output signal switching devices (OSSDs)	2 PNP semiconductors, short-circuit protected ¹⁾ , cross-circuit monitored		
Response time	"Response time", page 59		
Duration of OFF state	100 ms		
Switch-on delay		3 × response time	
ON state, switching voltage HIGH (U_{rms}) ²⁾	$U_V - 2.25 V$	24 V	U_V
OFF state, switching voltage LOW ^{2) 3)}	0 V	0 V	2.0 V
Current-carrying capacity of the OSSDs			300 mA each
Leakage current of the OSSDs			2 mA each
Load capacity			2.2 μF
Load inductance			2.2 H
Test pulse data ⁴⁾			
Test pulse width		150 μs	300 μs
Test pulse rate	3 s ⁻¹	5 s ⁻¹	10 s ⁻¹
Permissible cable resistance ⁵⁾			
Supply cable ⁶⁾			1 Ω
Cable between OSSD and load			2.5 Ω

- 1) Applies to the voltage range between -30 V and +30 V.
- 2) According to IEC 61131-2.
- 3) The specified values are the switching voltage supplied by the safety light curtain. If higher voltages are implanted externally, the maximum value of 2.0 V can be exceeded.
- 4) When active, the outputs are tested cyclically (brief LOW). When selecting the downstream controllers, make sure that the test pulses do not result in deactivation when using the above parameters.
- 5) Limit the individual conductor resistance to the specified values to ensure that the light curtain functions correctly, particularly that a cross-circuit between the outputs is safely detected. (Also observe IEC 60204-1.)
The specified values apply to the total resistance of each wire including contact and connector resistances.
- 6) The supply cable must not be used to connect other loads with the exception of the senders.

Table 13: Operating data

	Minimum	Typical	Maximum
System connection ¹⁾	5-pin M12 male connector		
Length of cable ²⁾	"Length of cable", page 60		

	Minimum	Typical	Maximum
Cable material of the system connection	PVC		
Ambient operating temperature ^{3) 4)}	0 °C		+55 °C
Air humidity (non-condensing)	15%		95%
Storage temperature	-30 °C		+70 °C
Housing cross-section	38.7 mm × 45.6 mm, plus bracket, see " Dimensional drawings ", page 61		
Vibration resistance ⁵⁾	5 ... 150 Hz, 3,5 mm / 1 g (EN 60068-2-6)		
Shock resistance ⁶⁾	15 g / 6 ms (EN 60068-2-27)		
Class	3M4 (IEC TR 60721-4-3)		

- 1) The connecting cables used must be suitable for the specific explosion-hazardous area.
- 2) Maximum permissible conductor resistance must be observed.
- 3) The temperature difference between sender and receiver must not exceed 25 K.
- 4) The cable belonging to the device incl. the associated connection plug must not be flexibly mounted under -25 °C.
- 5) Test conditions per axis: 1 octave/minute, 20 sweeps.
- 6) Test conditions per axis: 200 shocks.

12.2 Response time

Table 14: Response time dependent on the protective field height

Protective field height in mm	Response time in ms	
	Resolution 14 mm	Resolution 30 mm
300	11	10
450	12	10
600	13	10
750	13	11
900	14	11
1050	15	11
1200	16	12
1350	17	12
1500	18	13
1650	19	13
1800	20	13
1950	21	14
2100	22	14

12.3 Power consumption

Table 15: Power consumption for sender and receiver

Protective field height in mm	Typical power consumption for sender in W		Typical power consumption for receiver in W ¹⁾	
	Resolution 14 mm	Resolution 30 mm	Resolution 14 mm	Resolution 30 mm
300	0.96	0.82	1.92	1.63
450	1.08	0.86	2.16	1.73
600	1.20	0.91	2.40	1.82
750	1.32	0.96	2.64	1.92

Protective field height in mm	Typical power consumption for sender in W		Typical power consumption for receiver in W ¹⁾	
	Resolution 14 mm	Resolution 30 mm	Resolution 14 mm	Resolution 30 mm
900	1.44	1.01	2.88	2.02
1050	1.56	1.06	3.12	2.11
1200	1.68	1.10	3.36	2.21
1350	1.80	1.15	3.60	2.30
1500	1.92	1.20	3.84	2.40
1650	2.04	1.25	4.08	2.50
1800	2.16	1.30	4.32	2.59
1950	2.28	1.34	4.56	2.69
2100	2.40	1.39	4.80	2.78

1) Power discharged again via the OSSDs depending on the connected OSSD load must be added to the table values.

12.4 Length of cable

Table 16: Maximum lengths of cable for wire cross-section 0.34 mm², copper wire

	Single system
Separate connecting cables for sender and receiver	<p style="text-align: center;">b ≤ 85 m c ≤ 15 m</p>

S Control cabinet with safety relay or safety controller

12.5 Table of weights

Table 17: Weight of sender and receiver

Protective field height in mm	Weight in g ¹⁾	
	Sender	Receiver
300	290	300
450	430	440
600	570	580
750	700	710
900	840	850
1050	970	980
1200	1110	1120
1350	1240	1250
1500	1380	1390
1650	1510	1520
1800	1650	1660
1950	1790	1800
2100	1920	1930

1) Tolerance: ± 50 g.

12.6 Dimensional drawings

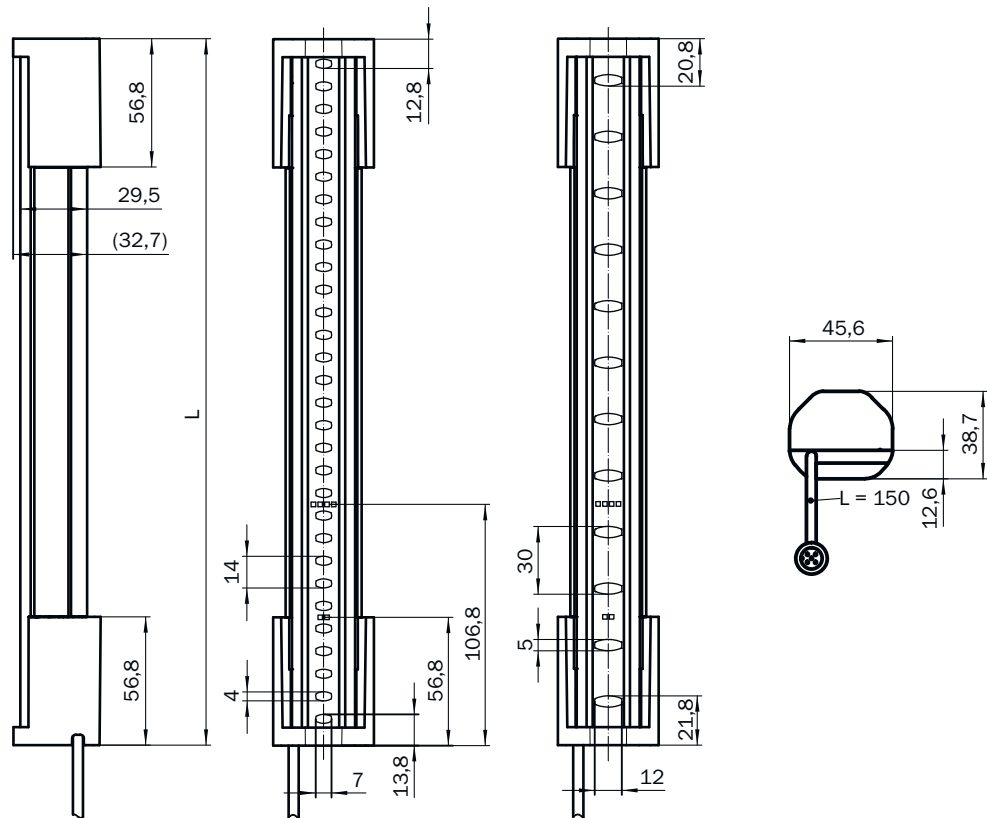


Figure 35: Dimensional drawing of sender and receiver

Table 18: Dimensions based on the protective field height, sender and receiver

Protective field height, nominal in mm	Protective field height, effective = dimension L in mm ¹⁾
300	313
450	463
600	613
750	763
900	913
1050	1063
1200	1213
1350	1362
1500	1512
1650	1662
1800	1812
1950	1962
2100	2112

¹⁾ The effective protective field corresponds to the entire length of the housing. The test object defined in the standard IEC 61496-1 is recognized over the entire length of the housing. The limits of the protective field are identical to ends of the housing.

13 Ordering information

13.1 Scope of delivery

Scope of delivery, sender

- Sender

Scope of delivery, receiver

- Receiver
- Test rod with diameter corresponding to the resolution of the safety light curtain
- “Notes for explosion protection” label(s)
- “CCC Ex” label
- Safety note
- Mounting instructions
- Operating instructions for download: www.sick.com

13.2 Ordering information

Table 19: Ordering information deTec4 Core Ex II 3GD for 14 mm resolution

Protective field height in mm	Sender		Receiver	
	Part number	Type code	Part number	Type code
300	1220313	C4C-SX03010A10000	1220326	C4C-EX03010A10000
450	1220314	C4C-SX04510A10000	1220327	C4C-EX04510A10000
600	1220315	C4C-SX06010A10000	1220328	C4C-EX06010A10000
750	1220316	C4C-SX07510A10000	1220329	C4C-EX07510A10000
900	1220317	C4C-SX09010A10000	1220330	C4C-EX09010A10000
1050	1220318	C4C-SX10510A10000	1220331	C4C-EX10510A10000
1200	1220319	C4C-SX12010A10000	1220332	C4C-EX12010A10000
1350	1220320	C4C-SX13510A10000	1220333	C4C-EX13510A10000
1500	1220321	C4C-SX15010A10000	1220334	C4C-EX15010A10000
1650	1220322	C4C-SX16510A10000	1220335	C4C-EX16510A10000
1800	1220323	C4C-SX18010A10000	1220336	C4C-EX18010A10000
1950	1220324	C4C-SX19510A10000	1220337	C4C-EX19510A10000
2100	1220325	C4C-SX21010A10000	1220338	C4C-EX21010A10000

Table 20: Ordering information deTec4 Core Ex II 3GD for 30 mm resolution

Protective field height in mm	Sender		Receiver	
	Part number	Type code	Part number	Type code
300	1220339	C4C-SX03030A10000	1220352	C4C-EX03030A10000
450	1220340	C4C-SX04530A10000	1220353	C4C-EX04530A10000
600	1220341	C4C-SX06030A10000	1220354	C4C-EX06030A10000
750	1220342	C4C-SX07530A10000	1220355	C4C-EX07530A10000
900	1220343	C4C-SX09030A10000	1220356	C4C-EX09030A10000
1050	1220344	C4C-SX10530A10000	1220357	C4C-EX10530A10000
1200	1220345	C4C-SX12030A10000	1220358	C4C-EX12030A10000
1350	1220346	C4C-SX13530A10000	1220359	C4C-EX13530A10000
1500	1220347	C4C-SX15030A10000	1220360	C4C-EX15030A10000
1650	1220348	C4C-SX16530A10000	1220361	C4C-EX16530A10000
1800	1220349	C4C-SX18030A10000	1220362	C4C-EX18030A10000
1950	1220350	C4C-SX19530A10000	1220363	C4C-EX19530A10000
2100	1220351	C4C-SX21030A10000	1220364	C4C-EX21030A10000

14 Accessories

14.1 Brackets

Table 21: Brackets ordering information

Part	Type code	Part number
QuickFix bracket (2x)	BEF-3SHABPKU2	2066048
QuickFix bracket (4x)	BEF-3SHABPKU4	2098710
FlexFix bracket (2x)	BEF-1SHABPKU2	2098709
FlexFix bracket (4x)	BEF-1SHABPKU4	2066614
Compact FlexFix bracket (2x) ¹⁾	BEF-1SHTBPKU2	2117730
Compact FlexFix bracket (4x) ²⁾	BEF-1SHTBPKU4	2117731
FlexFix mounting kit (2x FlexFix brackets, alignment tool, and assembly materials for installation in device columns)	BEF-1SHABBKU2	2073543
Replacement bracket (kit with 4 brackets, mounting kit for replacement of swivel mount brackets 2019649 and 2019659 or side bracket 2019506 with the FlexFix bracket when using the wells provided)	BEF-1SHABS004	2100345
Replacement bracket (kit with 4 brackets, mounting kit for replacement of swivel mount brackets 2030510 or side bracket 2019506 with the FlexFix bracket when using the wells provided)	BEF-1SHABU004	2099282

1) For devices with a protective field height of 150 mm.

2) For devices with a protective field height of 200 mm or greater.

QuickFix bracket

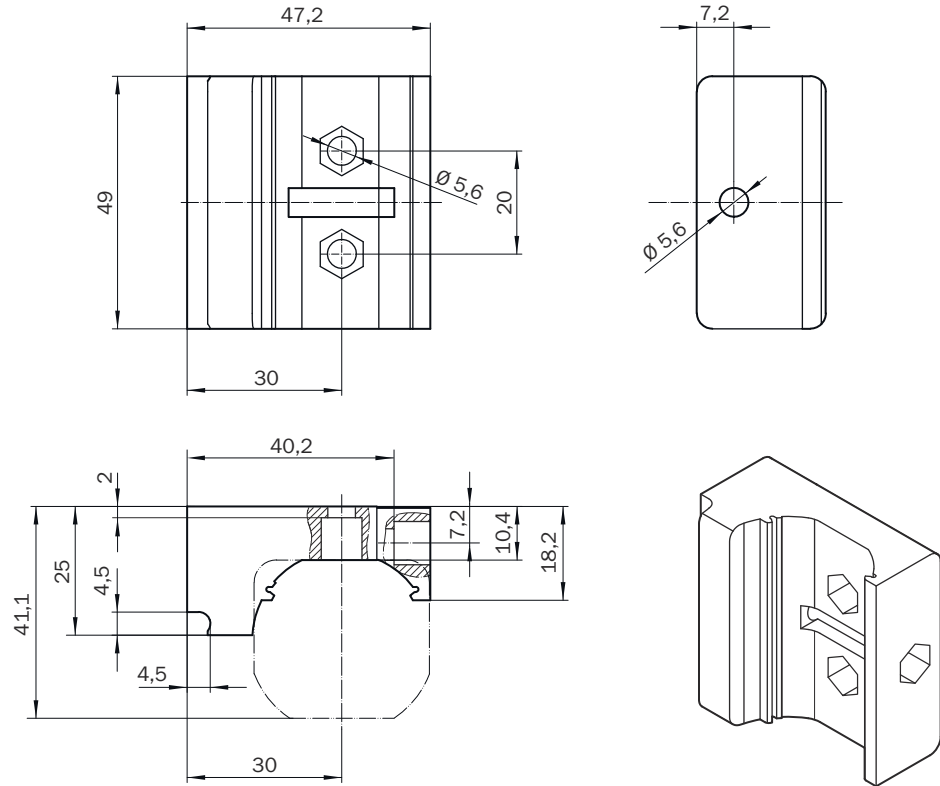


Figure 36: Dimensional drawing of the QuickFix bracket

FlexFix bracket

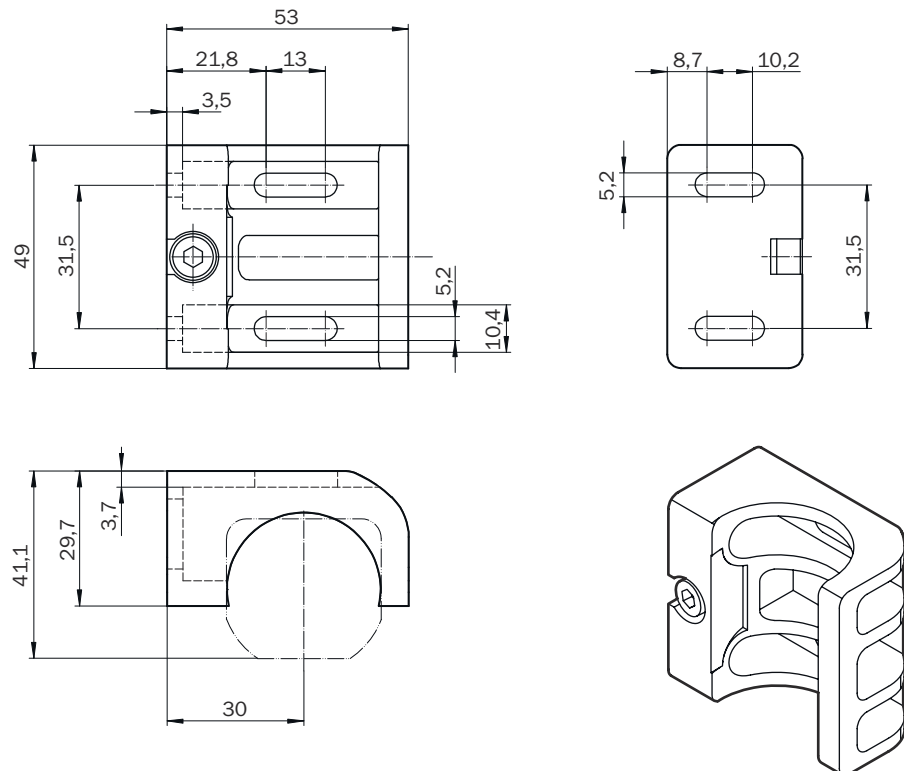


Figure 37: Dimensional drawing of the FlexFix bracket

Compact FlexFix bracket

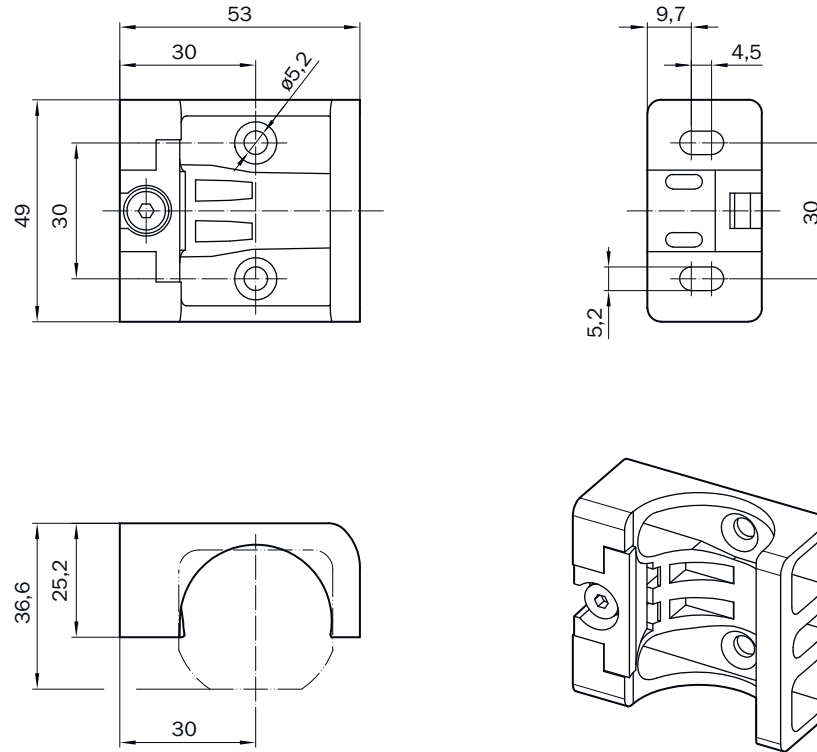


Figure 38: Dimensional drawing of the Compact FlexFix bracket

14.2 Mounting accessories

Table 22: Mounting accessories ordering information

Part	Part number
Alignment tool	4084133

14.3 Connectors

Table 23: Ordering information for M12 connecting cable, 5-pin (0.34 mm²) ¹⁾

Part	Type code	Part number
Female connector, straight, 2 m cable, flying leads	YF2A15-020UB5XLEAX	2095617
Female connector, straight, 5 m cable, flying leads	YF2A15-050UB5XLEAX	2095618
Female connector, straight, 10 m cable, flying leads	YF2A15-100UB5XLEAX	2095619
Female connector, straight, 15 m cable, flying leads	YF2A15-150UB5XLEAX	2095620
Female connector, straight, 20 m cable, flying leads	YF2A15-200UB5XLEAX	2095614
Female connector, straight, 30 m cable, flying leads	YF2A15-300UB5XLEAX	2095621
Female connector, angled, 2 m cable, flying leads	YG2A15-020UB5XLEAX	2095772

¹⁾ Ambient operating temperature: Down to -30° C with fixed installation.

Part	Type code	Part number
Female connector, angled, 5 m cable, flying leads	YG2A15-050UB5XLEAX	2095773
Female connector, angled, 10 m cable, flying leads	YG2A15-100UB5XLEAX	2095774

Table 24: Ordering information for M12 connection cable, 5-pin (0.34 mm²) ²⁾

Part	Type code	Part number
Female connector, straight, 0.6 m cable, male connector, straight	YF2A15-C60UB5M2A15	2096006
Female connector, straight, 1 m cable, male connector, straight	YF2A15-010UB5M2A15	2096007
Female connector, straight, 2 m cable, male connector, straight	YF2A15-020UB5M2A15	2096009
Female connector, straight, 5 m cable, male connector, straight	YF2A15-050UB5M2A15	2096010
Female connector, straight, 10 m cable, male connector, straight	YF2A15-100UB5M2A15	2096011
Female connector, straight, 15 m cable, male connector, straight	YF2A15-150UB5M2A15	2096171

The following accessories can only be used outside the explosion-hazardous area

Table 25: Ordering information, connection cable (replacement of existing devices) ³⁾

Part	Type code	Part number
Connection cable, M12, 5-pin to M12, 8-pin	DSL-1285GM25034KM1	2070987
Connection cable, M12, 5-pin to M26, 7-pin	DSL-6187GM25034KM1	2070988
Connection cable, M12, 5-pin to M26, 12-pin	DSL-6182GM25034KM1	2070989

Table 26: Distributor ordering information

Part	Type code	Part number
T distributor, 5-pin	DSC-1205T000025KM0	6030664

Table 27: Ordering information for power supply

Part	Type code	Part number
Output 24 V DC, 50 W (2.1 A), voltage supply NEC Class 2, SELV, PELV, input 120 V AC ... 240 V AC	PS50WE24V	7028789
Output 24 V DC, 95 W (3.9 A), voltage supply NEC Class 2, SELV, PELV, input 100 V AC ... 120 V / 220 V AC ... 240 V AC	PS95WE24V	7028790

14.4 Alignment aid

The following accessories can only be used outside the explosion-hazardous area

Table 28: Alignment aid ordering information

Part	Part number
AR60 laser alignment aid	1015741
Adapter	4070854

²⁾ Ambient operating temperature: Down to -30° C with fixed installation.

³⁾ Ambient operating temperature: Down to -30 °C with fixed installation

14.5 Deflector mirrors

14.5.1 Function and use

Overview

Deflector mirrors can be used to shape the protective field to secure hazardous points from multiple sides using a single safety light curtain.

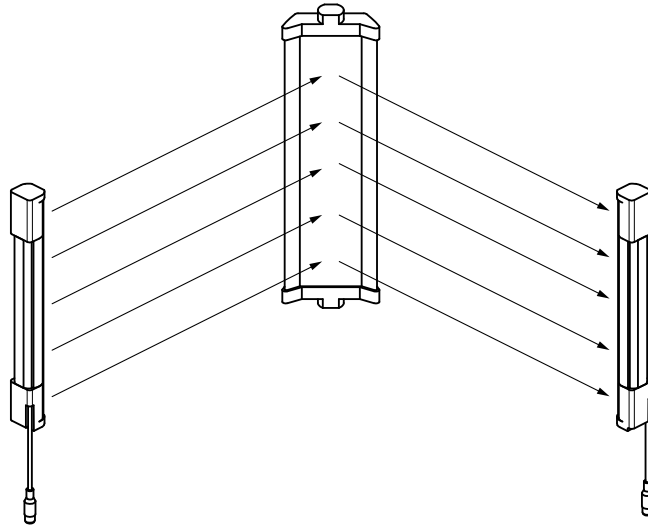


Figure 39: Example of use of deflector mirrors

Important information



DANGER

Hazard due to lack of effectiveness of the protective device

Persons and parts of the body to be protected may not be recognized in case of non-observance.

- ▶ Only mount deflector mirrors to solid walls or machine components. The position of the deflector mirrors must not change after alignment.
- ▶ Do not use deflector mirrors if contamination, beading water, condensation, or frost on the deflector mirrors is to be expected.
- ▶ Make sure that the deflector mirrors are intact and free of scratches, contamination, beading water, condensation, frost, etc. at all times.

Further topics

- ["Mirror columns", page 70](#)

14.5.2 Mounting

To mount the deflector mirrors, use the included swivel mount brackets.

14.5.3 Change in scanning range using deflector mirrors

Overview

The information relates to 90° beam deflection per mirror and a protective field height of 900 mm.

Important information**NOTE**

The use of deflector mirrors reduces the scanning range depending on the number of deflector mirrors in the protective field.

Table 29: Scanning range with and without 1 or 2 deflector mirrors

Type	Solution	Scanning range, typical	Scanning range with 1 deflector mirror, typical	Scanning range with 2 deflector mirrors, typical
PNS75, PNS125	14 mm	10 m	9 m	8 m
PNS75, PNS125	30 mm	15 m	13.5 m	12 m

14.5.4 Deflector mirror PNS75 - ordering information

Table 30: Ordering information for PNS75 deflector mirror

Mirror length in mm	Max. protective field height in mm	Type code	Part number
340	300	PNS75-034	1019414
490	450	PNS75-049	1019415
640	600	PNS75-064	1019416
790	750	PNS75-079	1019417
940	900	PNS75-094	1019418
1090	1050	PNS75-109	1019419
1240	1200	PNS75-124	1019420
1390	1350	PNS75-139	1019421
1540	1500	PNS75-154	1019422
1690	1650	PNS75-169	1019423
1840	1800	PNS75-184	1019424
1990	1950	PNS75-199	1092962
2140	2100	PNS75-214	1092963

14.5.5 Deflector mirror PNS125 - ordering information

Table 31: Ordering information, deflector mirror PNS125

Mirror length in mm	Max. protective field height in mm	Type code	Part number
340	300	PNS125-034	1019425
490	450	PNS125-049	1019426
640	600	PNS125-064	1019427
790	750	PNS125-079	1019428
940	900	PNS125-094	1019429
1090	1050	PNS125-109	1019430
1240	1200	PNS125-124	1019431
1390	1350	PNS125-139	1019432
1540	1500	PNS125-154	1019433
1690	1650	PNS125-169	1019434
1840	1800	PNS125-184	1019435
1990	1950	PNS125-199	1092964

Mirror length in mm	Max. protective field height in mm	Type code	Part number
2140	2100	PNS125-214	1092965

14.6 Mirror columns

Table 32: Ordering information, mirror columns

Column height	Mirror length	Type code	Part number
1,281.5 mm	1,082 mm	PM3C13-00030000	1043453
1,569 mm	1,382 mm	PM3C15-00030000	1077525
1,716.5 mm	1,532 mm	PM3C17-00030000	1043454
2,016.5 mm	1,682 mm	PM3C19-00030000	1043455
2,216.5 mm	1,832 mm	PM3C20-00030000	1043456
2,269 mm	1,985 mm	PM3C22-00030000	1093216
2,419 mm	2,132 mm	PM3C24-00030000	1093217

Complementary information

Observe the information on deflector mirrors, particularly on changing the scanning range.

Further topics

- ["Deflector mirrors", page 68](#)

14.7 Device columns

Table 33: Ordering information for device columns

Column height	Max. installation length	Type code	Part number
985 mm	965 mm	PU3H96-00000000	2045490
1185 mm	1165 mm	PU3H11-00000000	2045641
1285 mm	1265 mm	PU3H13-00000000	2045642
1570 mm	1550 mm	PU3H15-00000000	2068813
1740 mm	1720 mm	PU3H17-00000000	2045643
2040 mm	2020 mm	PU3H21-00000000	2045644
2270 mm	2250 mm	PU3H22-00000000	2045645
2420 mm	2400 mm	PU3H24-00000000	2045646

14.8 Cleaning agent

Table 34: Cleaning agent ordering information

Part	Part number
Anti-static plastic cleaner	5600006
Lens cloth	4003353

14.9 Test rods

Table 35: Ordering information, test rods

Part	Part number
Test rod 14 mm	2022599

Part	Part number
Test rod 30 mm	2022602
Test rod holder	2052249

15 Annex

15.1 Conformities and certificates

You can obtain declarations of conformity, certificates, and the current operating instructions for the product at www.sick.com. To do so, enter the product part number in the search field (part number: see the entry in the “P/N” or “Ident. no.” field on the type label).

15.1.1 EU declaration of conformity

Excerpt

The undersigned, representing the manufacturer, herewith declares that the product is in conformity with the provisions of the following EU directive(s) (including all applicable amendments), and that the standards and/or technical specifications stated in the EU declaration of conformity have been used as a basis for this.

- ROHS DIRECTIVE 2011/65/EU
- EMC DIRECTIVE 2014/30/EU
- MACHINERY DIRECTIVE 2006/42/EC
- ATEX DIRECTIVE 2014/34/EU

15.1.2 UK declaration of conformity

Excerpt

The undersigned, representing the following manufacturer herewith declares that this declaration of conformity is issued under the sole responsibility of the manufacturer. The product of this declaration is in conformity with the provisions of the following relevant UK Statutory Instruments (including all applicable amendments), and the respective standards and/or technical specifications have been used as a basis.

- Restriction of the Use of Certain Hazardous Substances in Electrical and Electronic Equipment Regulations 2012
- Electromagnetic Compatibility Regulations 2016
- Supply of Machinery (Safety) Regulations 2008
- Equipment and Protective Systems Intended for use in Potentially Explosive Atmospheres Regulations 2016

15.2 Note on standards

Standards are specified in the information provided by SICK. The table shows regional standards with similar or identical contents. Not every standard applies to all products.

Table 36: Note on standards

Standard	Standard (regional)
	China
IEC 60068-2-6	GB/T 2423.10
IEC 60068-2-27	GB/T 2423.5
IEC 60204-1	GB/T 5226.1
IEC 60529	GB/T 4208
IEC 60825-1	GB 7247.1
IEC 61131-2	GB/T 15969.2
IEC 61140	GB/T 17045
IEC 61496-1	GB/T 19436.1
IEC 61496-2	GB/T 19436.2

Standard	Standard (regional)
	China
IEC 61496-3	GB 19436.3
IEC 61508	GB/T 20438
IEC 62061	GB 28526
ISO 13849-1	GB/T 16855.1
ISO 13855	GB/T 19876

15.3 Checklist for initial commissioning and commissioning

Checklist for manufacturers or installers for installing electro-sensitive protective device (ESPE)

The details relating to the items listed below must be available no later than when the system is commissioned for the first time. However, these depend on the specific application (the requirements of which must be reviewed by the manufacturer or installer).

This checklist should be retained and kept with the machine documentation to serve as reference during recurring tests.

This checklist does not replace the initial commissioning, nor the regular inspection by qualified safety personnel.

Have the safety rules and regulations been observed in compliance with the directives and standards applicable to the machine?	Yes <input type="checkbox"/> No <input type="checkbox"/>
Are the applied directives and standards listed in the declaration of conformity?	Yes <input type="checkbox"/> No <input type="checkbox"/>
Does the protective device correspond to the required PL/SIL and PFHd in accordance with ISO 13849-1 / IEC 62061 and the required type in accordance with IEC 61496-1?	Yes <input type="checkbox"/> No <input type="checkbox"/>
Is access to the hazardous area or hazardous point only possible through the protective field of the ESPE?	Yes <input type="checkbox"/> No <input type="checkbox"/>
Have appropriate measures been taken to protect (mechanical protection) or monitor (protective devices) any persons or objects in the hazardous area when protecting a hazardous area or hazardous point, and have these devices been secured or locked to prevent their removal?	Yes <input type="checkbox"/> No <input type="checkbox"/>
Are additional mechanical protective measures fitted and secured against manipulation which prevent reaching below, above or around the ESPE?	Yes <input type="checkbox"/> No <input type="checkbox"/>
Has the maximum shutdown and/or stopping time of the machine been measured, specified and documented (at the machine and/or in the machine documentation)?	Yes <input type="checkbox"/> No <input type="checkbox"/>
Has the ESPE been mounted such that the required minimum distance from the nearest hazardous point has been achieved?	Yes <input type="checkbox"/> No <input type="checkbox"/>
Are the ESPE devices properly mounted and secured against manipulation after adjustment?	Yes <input type="checkbox"/> No <input type="checkbox"/>
Are the required protective measures against electric shock in effect (protection class)?	Yes <input type="checkbox"/> No <input type="checkbox"/>
Is the control switch for resetting the protective devices (ESPE) or restarting the machine present and correctly installed?	Yes <input type="checkbox"/> No <input type="checkbox"/>
Are the outputs of the ESPE (OSSDs or safety outputs via the network) integrated according to the required PL/SIL in accordance with ISO 13849-1 / IEC 62061 and does the integration correspond to the circuit diagrams?	Yes <input type="checkbox"/> No <input type="checkbox"/>
Has the protective function been checked in compliance with the test notes of this documentation?	Yes <input type="checkbox"/> No <input type="checkbox"/>
Are the specified protective functions effective at every operating mode that can be set?	Yes <input type="checkbox"/> No <input type="checkbox"/>
Are the switching elements activated by the ESPE, e.g. contactors, valves, monitored?	Yes <input type="checkbox"/> No <input type="checkbox"/>
Is the ESPE effective over the entire period of the dangerous state?	Yes <input type="checkbox"/> No <input type="checkbox"/>
Once initiated, will a dangerous state be stopped when switching the ESPE on or off and when changing the operating mode, or when switching to another protective device?	Yes <input type="checkbox"/> No <input type="checkbox"/>

16 List of figures

1.	Sender and receiver.....	11
2.	Device overview.....	12
3.	Sender displays.....	13
4.	Receiver displays.....	13
5.	Hazardous point protection.....	14
6.	Access protection.....	14
7.	Hazardous area protection.....	15
8.	Minimum distance to the hazardous point for orthogonal (rectangular) approach to the protective field.....	19
9.	Representation of the accessibility of ESPE by reaching over. Left: Protective field that cannot be reached over. Right: Protective field that can be reached over.....	20
10.	Minimum distance from reflective surfaces.....	20
11.	Graph of minimum distance from reflective surfaces.....	21
12.	Preventing mutual interference from system ① and system ②.....	21
13.	Trouble-free operation due to reversed direction of transmission of system ① and system ②.....	22
14.	Dual-channel and isolated connection of OSSD1 and OSSD2.....	23
15.	No potential difference between load and protective device.....	23
16.	Schematic representation of operation with restart interlock.....	25
17.	Connection diagram for RLY3-OSSD2 with restart interlock and external device monitoring.....	26
18.	Test rod check: Step 1.....	29
19.	Test rod check: Step 3.....	29
20.	Sender and receiver must not be installed such that they are rotated 180° relative to each other.....	32
21.	Mounting the QuickFix bracket to a profile.....	35
22.	Mounting the FlexFix bracket to a profile frame.....	37
23.	Inserting the safety light curtain in the FlexFix brackets.....	37
24.	Mounting the FlexFix bracket on a device column (accessory).....	38
25.	Mount the Compact FlexFix bracket on a profile frame.....	40
26.	Inserting the safety light curtain in the Compact FlexFix brackets.....	40
27.	Notes for explosion protection.....	41
28.	Example of an CCC Ex label.....	41
29.	Dual-channel and isolated connection of OSSD1 and OSSD2.....	43
30.	No potential difference between load and protective device.....	43
31.	System connection (male connector, M12, 5-pin).....	43
32.	QuickFix bracket: adjust vertically.....	47
33.	FlexFix bracket: adjust vertically/rotate.....	48
34.	Compact FlexFix bracket: Rotate.....	49
35.	Dimensional drawing of sender and receiver.....	61
36.	Dimensional drawing of the QuickFix bracket.....	65
37.	Dimensional drawing of the FlexFix bracket.....	65
38.	Dimensional drawing of the Compact FlexFix bracket.....	66
39.	Example of use of deflector mirrors.....	68

17 List of tables

1.	Target groups and selected sections of these operating instructions.....	6
2.	Formula for calculating the minimum distance to reflective surfaces with automatic calibration of the protective field width.....	21
3.	Side and rear mounting with the QuickFix bracket.....	35
4.	Lateral and rear mounting with the FlexFix bracket.....	36
5.	Side and rear mounting of the Compact FlexFix bracket on a machine or profile frame.....	39
6.	System connection pin assignment (male connector, M12, 5-pin).....	44
7.	Indication of the alignment quality.....	49
8.	Fault indication on the sender.....	54
9.	Fault indication on the receiver.....	55
10.	General system data.....	57
11.	Technical data for sender.....	58
12.	Technical data for receiver.....	58
13.	Operating data.....	58
14.	Response time dependent on the protective field height.....	59
15.	Power consumption for sender and receiver.....	59
16.	Maximum lengths of cable for wire cross-section 0.34 mm ² , copper wire.....	60
17.	Weight of sender and receiver.....	60
18.	Dimensions based on the protective field height, sender and receiver.....	61
19.	Ordering information deTec4 Core Ex II 3GD for 14 mm resolution.....	62
20.	Ordering information deTec4 Core Ex II 3GD for 30 mm resolution.....	62
21.	Brackets ordering information.....	64
22.	Mounting accessories ordering information.....	66
23.	Ordering information for M12 connecting cable, 5-pin (0.34 mm ²)	66
24.	Ordering information for M12 connection cable, 5-pin (0.34 mm ²)	67
25.	Ordering information, connection cable (replacement of existing devices)	67
26.	Distributor ordering information.....	67
27.	Ordering information for power supply.....	67
28.	Alignment aid ordering information.....	67
29.	Scanning range with and without 1 or 2 deflector mirrors.....	69
30.	Ordering information for PNS75 deflector mirror.....	69
31.	Ordering information, deflector mirror PNS125.....	69
32.	Ordering information, mirror columns.....	70
33.	Ordering information for device columns.....	70
34.	Cleaning agent ordering information.....	70
35.	Ordering information, test rods.....	70
36.	Note on standards.....	72

Australia
Phone +61 (3) 9457 0600
1800 33 48 02 – tollfree
E-Mail sales@sick.com.au

Austria
Phone +43 (0) 2236 62288-0
E-Mail office@sick.at

Belgium/Luxembourg
Phone +32 (0) 2 466 55 66
E-Mail info@sick.be

Brazil
Phone +55 11 3215-4900
E-Mail comercial@sick.com.br

Canada
Phone +1 905.771.1444
E-Mail cs.canada@sick.com

Czech Republic
Phone +420 234 719 500
E-Mail sick@sick.cz

Chile
Phone +56 (2) 2274 7430
E-Mail chile@sick.com

China
Phone +86 20 2882 3600
E-Mail info.china@sick.net.cn

Denmark
Phone +45 45 82 64 00
E-Mail sick@sick.dk

Finland
Phone +358-9-25 15 800
E-Mail sick@sick.fi

France
Phone +33 1 64 62 35 00
E-Mail info@sick.fr

Germany
Phone +49 (0) 2 11 53 010
E-Mail info@sick.de

Greece
Phone +30 210 6825100
E-Mail office@sick.com.gr

Hong Kong
Phone +852 2153 6300
E-Mail ghk@sick.com.hk

Hungary
Phone +36 1 371 2680
E-Mail ertekesites@sick.hu

India
Phone +91-22-6119 8900
E-Mail info@sick-india.com

Israel
Phone +972 97110 11
E-Mail info@sick-sensors.com

Italy
Phone +39 02 27 43 41
E-Mail info@sick.it

Japan
Phone +81 3 5309 2112
E-Mail support@sick.jp

Malaysia
Phone +603-8080 7425
E-Mail enquiry.my@sick.com

Mexico
Phone +52 (472) 748 9451
E-Mail mexico@sick.com

Netherlands
Phone +31 (0) 30 229 25 44
E-Mail info@sick.nl

New Zealand
Phone +64 9 415 0459
0800 222 278 – tollfree
E-Mail sales@sick.co.nz

Norway
Phone +47 67 81 50 00
E-Mail sick@sick.no

Poland
Phone +48 22 539 41 00
E-Mail info@sick.pl

Romania
Phone +40 356-17 11 20
E-Mail office@sick.ro

Russia
Phone +7 495 283 09 90
E-Mail info@sick.ru

Singapore
Phone +65 6744 3732
E-Mail sales.gsg@sick.com

Slovakia
Phone +421 482 901 201
E-Mail mail@sick-sk.sk

Slovenia
Phone +386 591 78849
E-Mail office@sick.si

South Africa
Phone +27 10 060 0550
E-Mail info@sickautomation.co.za

South Korea
Phone +82 2 786 6321/4
E-Mail infokorea@sick.com

Spain
Phone +34 93 480 31 00
E-Mail info@sick.es

Sweden
Phone +46 10 110 10 00
E-Mail info@sick.se

Switzerland
Phone +41 41 619 29 39
E-Mail contact@sick.ch

Taiwan
Phone +886-2-2375-6288
E-Mail sales@sick.com.tw

Thailand
Phone +66 2 645 0009
E-Mail marcom.th@sick.com

Turkey
Phone +90 (216) 528 50 00
E-Mail info@sick.com.tr

United Arab Emirates
Phone +971 (0) 4 88 65 878
E-Mail contact@sick.ae

United Kingdom
Phone +44 (0)17278 31121
E-Mail info@sick.co.uk

USA
Phone +1 800.325.7425
E-Mail info@sick.com

Vietnam
Phone +65 6744 3732
E-Mail sales.gsg@sick.com

Detailed addresses and further locations at www.sick.com

