



Operating Instruction, Supplement ENGLISH

Please read the enclosed operating instruction and this operating instruction supplement carefully.

Supplement/deviation of technical data of the operating instructions MLG-2 WebChecker, 8024643:

Model Name: MLG05A-0895B1S652 and MLG05A-0895B1S653

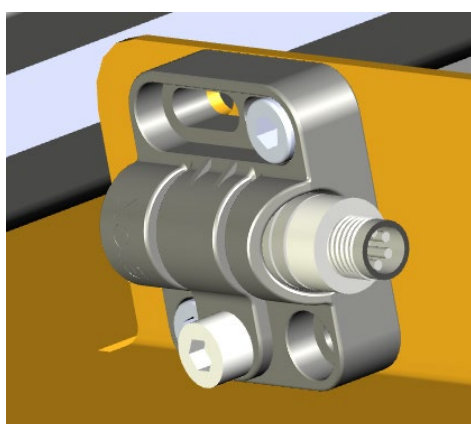
Part No.: 1102883 and 1102884

Special version:

- This version has an additional front screen for the transmitter and receiver and a heater of 5W / 24V each glued into it.
- The two heaters of each fork are provided with an M8 4-pin connector male. Each fork has a load of 24V / 10W on this connector.



Exemplary fork on the left



Heating system connection

Pin	Function
1	+24V
2	+24V
3	ground
4	ground

Allocation heating system connection

Subject to change without notice.