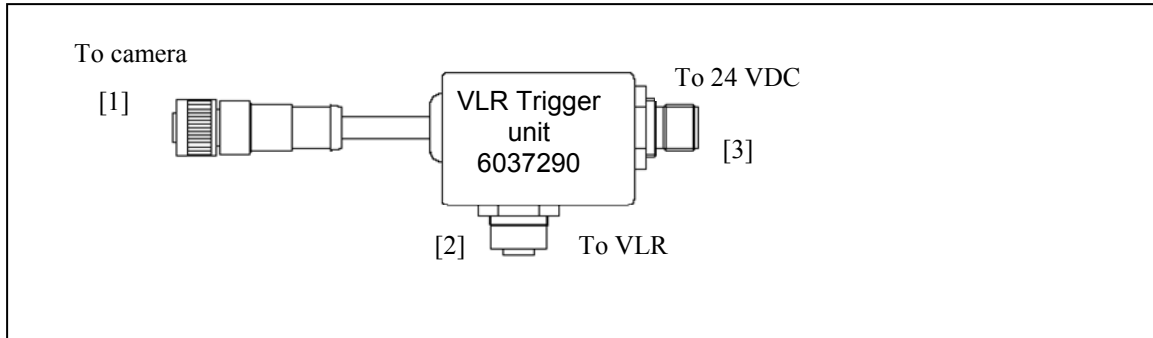


## Wiring Instruction sheet for VLR Backlights



### Connecting VLR Trigger unit 6037290 to IVC-2D

1. Connect IVC-2D power connector via connector **[1]** and VLR light via connector **[2]**
2. Connect an unpowered 24 VDC power supply to connector **[3]** before switching on the power supply

### Connecting VLR Trigger unit to Inspector

1. Use T-adapter 6034950 and screw it into Inspector power connector
2. Connect the T-adapter (6034950) via cable 6026625 (1m/8-pin/male/female) to **[3]** and VLR-light via connector to **[2]**. (Connector **[1]** is not used)
3. Connect an unpowered 24 VDC power supply via cable (6034604/2m/12pol/female) to T-adapter (12-pol) before switching on the power supply.

Pin	Connector 1 M12 8-pin female	Connector 2 M12 4-pin female	Connector 3 M12 8-pin male	VLR light M12 4-pin male
1	Trigger in	+ 24 VDC	Trigger in	+ 24 VDC
2	+ 24 VDC	Not in use	+24 VDC	Not in use
3	Out 0	GND	Out 0	GND
4	Out 1	Not in use	Out 1	Not in use
5	In 1		In 1	
6	In 2		In 2	
7	GND		GND	
8	Trigger out, active low		Trigger out, active low	