

BEF-1SHABP004

Replacement bracket kit

2071021, Mounting systems

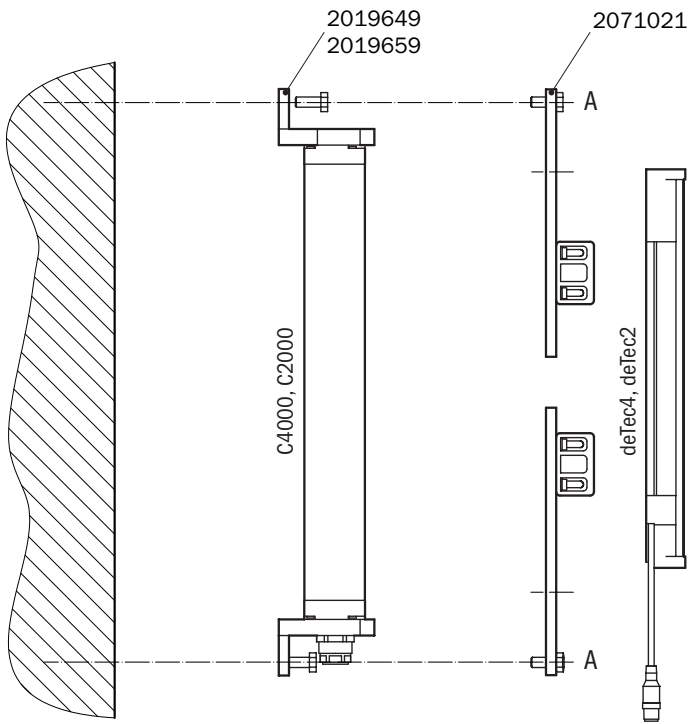
SICK AG • Industrial Safety Systems
 ErwinSick-Straße 1
 D-79183 Waldkirch • www.sick.com
 8014273/Y363/2014-02-13 • MK_2M
 Printed in Germany (2014-02) • All rights reserved • Subject to change without notice



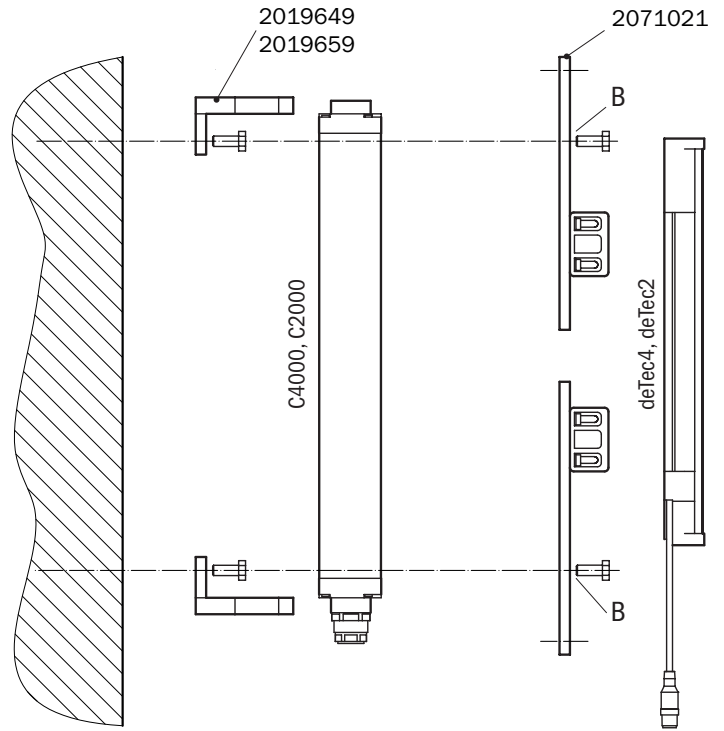
1 Mounting

Use the existing fixing holes by using the replacement bracket kit. In case of replacing Part No. 2019649 or 2019659 please refer to method A or B. In case of replacing 2019506 please refer to method C.

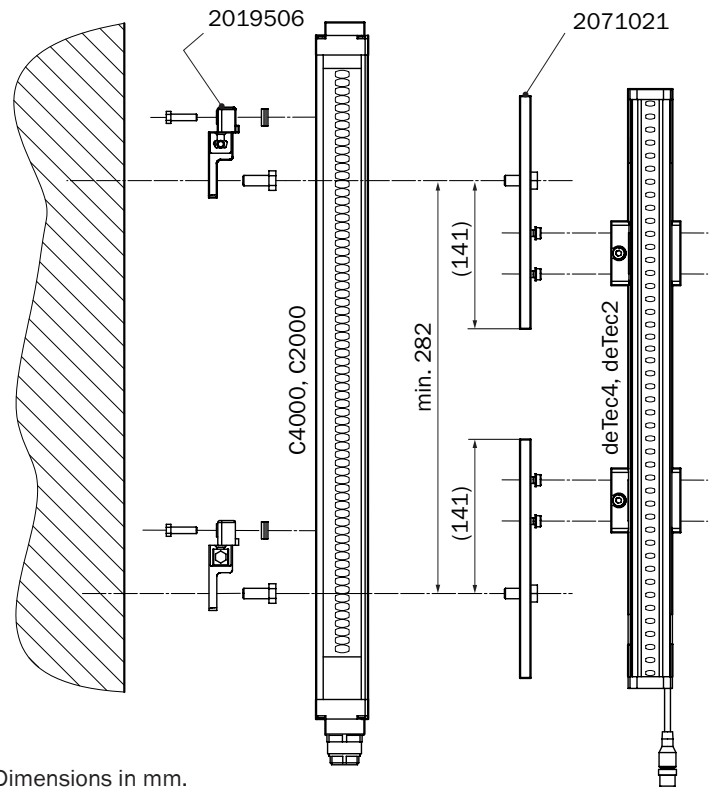
1.1 Method A



1.2 Method B

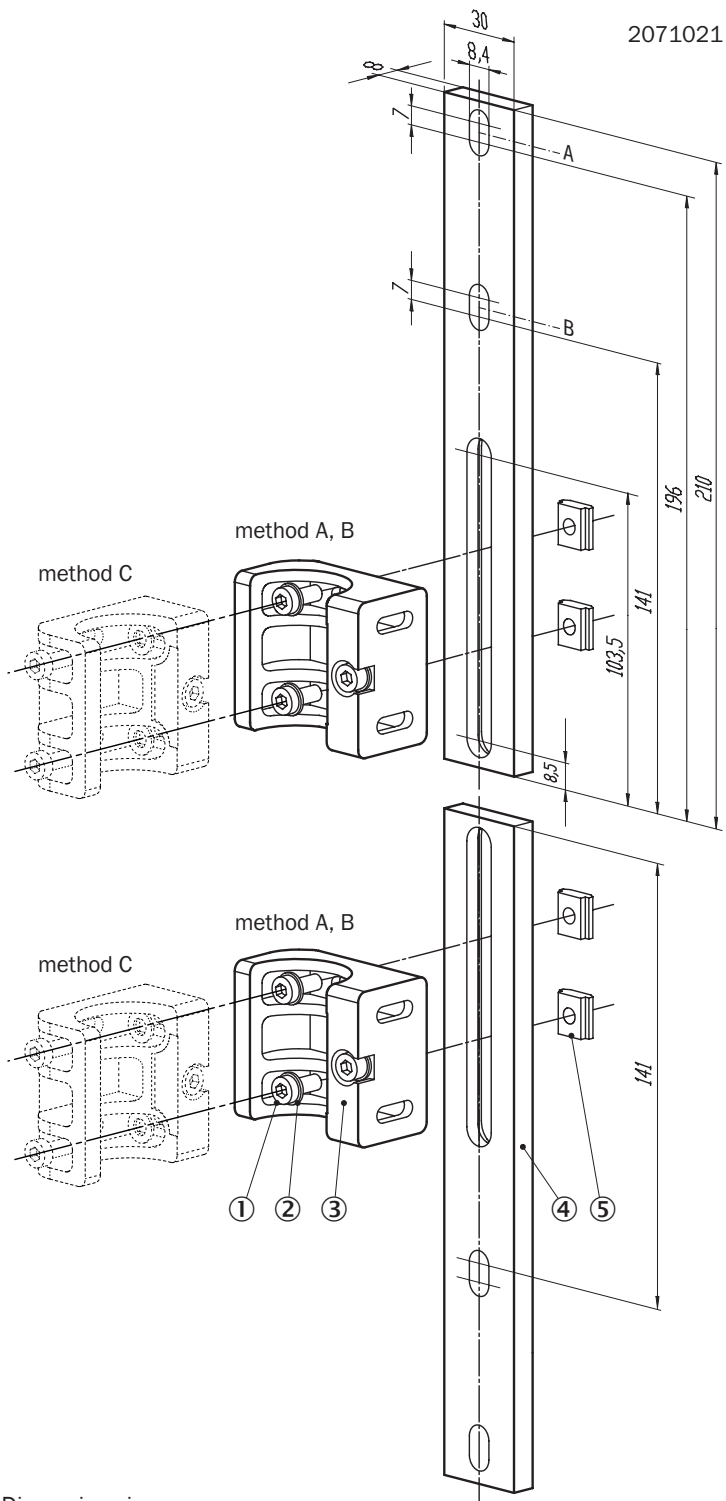


1.3 Method C



Dimensions in mm.

2 Dimensional drawing



Dimensions in mm.

Pos.	Description	Delivery quantity
1	Screw	8
2	Washer	8
3	FlexFix bracket	4
4	Replacement Plate	4
5	Sliding nut	8