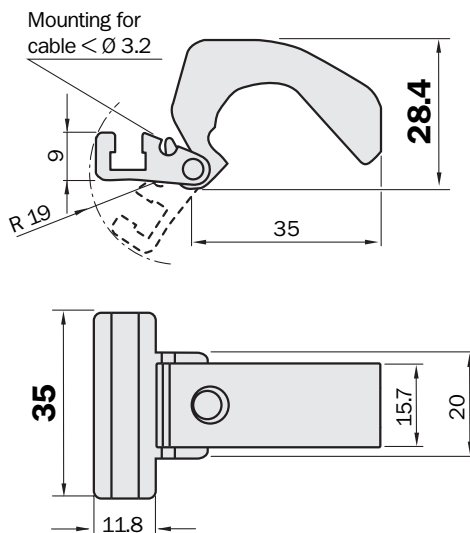


- Adaptable to MZT6 / RZT6 and MZT1 / RZT1 sensors
- Integrated profile cylinder:
 Ø Pistons 32 ... 100 mm
 Ø Profile rods 5 ... 18 mm
- Tie-rod cylinders:
 Ø Pistons 32 ... 160 mm
 Ø Tension rods 5 ... 18 mm
- Fits tightly on profile rods/ tension rod cylinders
- Sensors can be mounted from above onto the mounting rails

Dimensional drawing



Note:

Using the BEF-KHZ-PT1 mounting system together with the MZT1/RZT1 and MZT6/RZT6 magnetic cylinder sensors, the following magnetic cylinder sensors can be replaced for profile rod/tension rod cylinders: MZZ1, MZZ2, MZP3 and MZP4.

| | | | | | | | | | | | | | |
|---------------------------------|---------------|------|---------|--|--|--|--|--|--|--|--|--|--|
| Technical specifications | | BEF- | KHZ-PT1 | | | | | | | | | | |
| Material | Zinc die-cast | | | | | | | | | | | | |



The mounting bracket BEF-KHZ-PT1 makes it possible to mount magnetic cylinder sensors MZT6 / RZT6 and MZT1 / RZT1 series on tie rod and integrated profile bar cylinders.

| Ordering information | |
|-----------------------------|-----------|
| Type | Order no. |
| BEF-KHZ-PT1 | 2 022 702 |