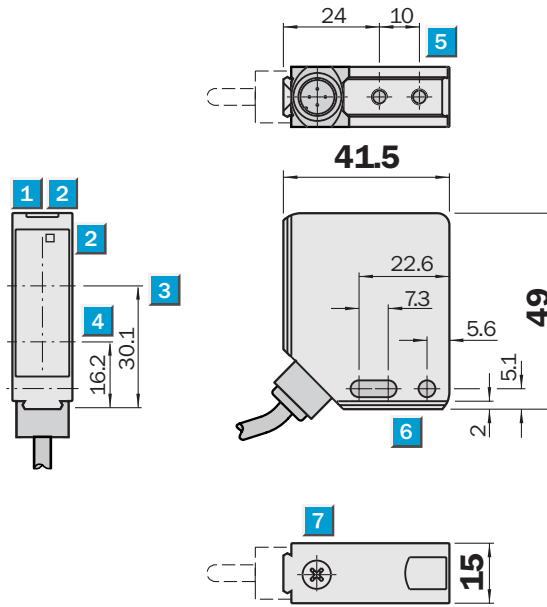


WT 12 L-2 0100 S05

Photoelectric
Proximity
Switch

Background
suppression
Laser red

Dimensional drawing



Adjustments possible

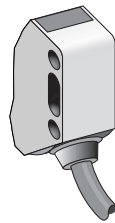
WT12L-20100S05



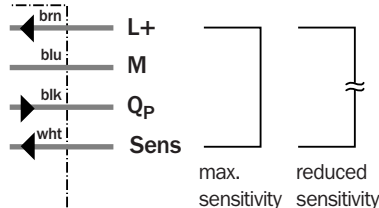
- 1 LED operating indicator, green
- 2 LED reception indicator, yellow
- 3 Optical axis, receiver
- 4 Optical axis, sender
- 5 M4 threaded mounting hole – 4 mm deep
- 6 Mounting hole \varnothing 4.2 mm
- 7 Scanning distance control


Connection type

WT12L-20100S05



4 x 0.25 mm²




Scanning distance
200 mm

Photoelectric Proximity Switches

- Laser class 2
- Sensitivity setting selectable via control cable
- Scanning distance 200 mm (6 %)
- Cable version, 4-wire

WT 12 L-2 0100 S05 Photoelectric proximity switch, laser red, DC

Technical data		WT12L-2	O100										
			S05										
Scanning distance (6 %)	200 mm (focus 140 mm)												
Light source⁴⁾	Laser, 650 nm, pulsed												
Light spot diameter focal point	0.6 mm x 7 mm												
Supply voltage V_S	10 ... 30 V DC ²⁾												
Residual ripple ³⁾	$\leq 5 V_{pp}$												
Current consumption ⁴⁾	≤ 55 mA												
Switching output Q_p	PNP												
Signal voltage HIGH	$V_S - < 2$ V, V_S												
Signal voltage LOW ⁵⁾	0 V, ≤ 1.5 V												
Output current I_A max	≤ 100 mA												
Control input Sens	0 V or open, low sensitivity (glossy objects)												
Control input Sens	V_S , high sensitivity (dark objects)												
Response time ⁶⁾	Typ. 200 μ s												
Max. switching frequency ⁷⁾	2500/s												
Laser class	2 (IEC 825-1; EN 60825-1:97)												
VDE protection class⁸⁾	<input type="checkbox"/>												
Enclosure rating	IP 67												
Circuit protection⁹⁾	A, B, C												
Ambient temperature T_A	Operation -10 °C... + 50 °C Storage -25 °C... + 75 °C												
Connection type	Cable, 4-wire												
Weight	Approx. 200 g												
Housing material	Zinc die-cast housing												

1) Average service life 50,000 h at $T_A = +25$ °C

2) Limit values

3) May not exceed or fall short of V_S tolerances

4) Without load

5) At $T_A = +25$ °C and 100 mA output current

6) Signal transit time with resistive load

7) At light/dark ratio 1:1

8) Reference voltage 50 V DC

9) A = V_S connections reverse-polarity protected

B = Outputs protected against short-circuiting

C = Interference pulse suppression

Scanning distance	
Scanning distance on black ¹⁰⁾	200 mm, 6 % remission

Order information	
Type	Order no.
WT12L-20100S05	1 027 584

¹⁰⁾ At max. sensitivity

Great Britain

Phone +44 (0)1727 83 11 21

E-Mail: info@sick.co.uk

USA

Phone +1(952) 941-6780

tollfree +1-800-325-7425

E-Mail: info@sickusa.com

Australia

Phone +61 3 9497 4100

tollfree +1800 33 48 02

E-Mail: sales@sick.com.au

More representatives and agencies in all major industrial nations at www.sick.com

SICK

Waldkirch • Germany