

NT 6 Contrast scanners

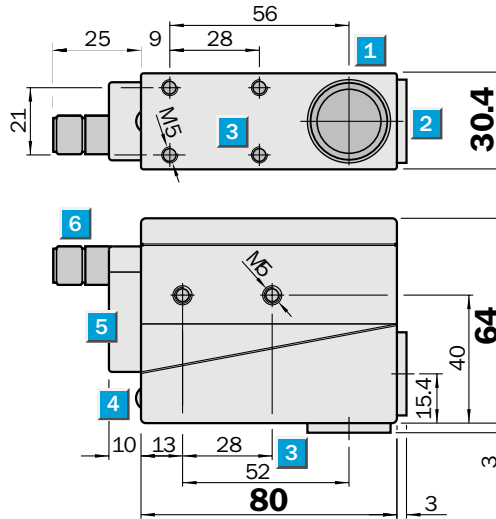
Scanning distance 9 mm

Contrast scanners

- LED light source with two switch-selectable spectral ranges
- Lens position selectable
- Light- or dark-switching selectable
- Rapid response times



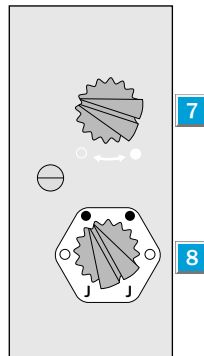
Dimensional drawing



Adjustments possible

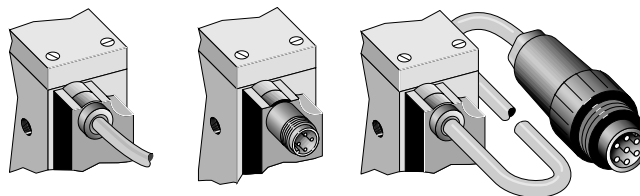
NT 6-03022	NT 6-04018
NT 6-13022	NT 6-03012
NT 6-04022	NT 6-13012
NT 6-03018	NT 6-04012

- 1** Blind screw can be replaced by Item **2**
- 2** Lens can be replaced by Item **1**
- 3** M 5 threaded mounting hole, 5.5 mm deep
- 4** Function signal indicator
- 5** Cover for adjuster
- 6** 4-pin, M 12 plug or 2m cable with T3104/1 plug or 2m cable
- 7** Control for switching threshold
- 8** Switch for operating mode
 - Light-switching
 - Dark-switching



Connection types

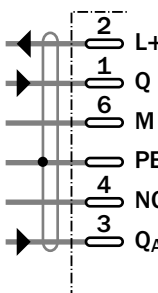
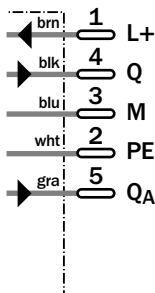
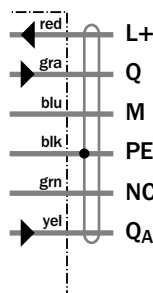
NT 6-03022	NT 6-03018	NT 6-03012
NT 6-13022	NT 6-04018	NT 6-13012
NT 6-04022		NT 6-04012



6 x 0.34 mm²

4-pin, M12

cable + plug



Accessories	page
Cable receptacles	496
Lens	556

Technical data		NT 6-	03012	03022	03018	13012	13022	04012	04022	04018		
Scanning distance from front edge of lens	9 mm ± 2 mm											
Light type/light spot dimension	Green/1.5 x 5 mm Red/1.5 x 4 mm											
Light source¹⁾, light type	LED, red, green selectable											
Light spot direction	Longitudinal Transverse											
Supply voltage V_S	10...30 V DC ²⁾											
Ripple ³⁾	< 5 V											
Current consumption ⁴⁾	< 80 mA											
Switching outputs	Light-/dark-switching, selectable B: HIGH = V _S - < 2 V/LOW = < 2 V PNP: HIGH = V _S - < 2 V/LOW = 0 V											
Output current I _A max.	200 mA											
Response time ⁵⁾	50 µs											
Max. switching frequency ⁶⁾	To 10 kHz											
Analogue output Q_A	0.15...6 V											
Connection types	Cable ⁷⁾ with T 3104/1 plug Cable ⁷⁾ without plug Plug											
VDE protection class⁸⁾	□											
Enclosure rating	IP 67											
Circuit protection⁹⁾	A, B, C											
Ambient temperature T_A	Operation - 0 °C...+ 50 °C Storage - 25 °C...+ 75 °C											
Shock load	To IEC 68											
Weight	Approx. 540 g											
Housing material	Cast metal											

- | | | | |
|---|--|--|--|
| 1) Average service life 100,000 h at T _A = + 25 °C | 3) May not exceed or fall short of V _S tolerances | 5) Signal transit time with resistive load | 7) A = V _S connections reverse-polarity protected |
| 2) Limit values | 4) Without load | 6) With light/dark ratio 1:1 | B = Outputs Q and Q _A short-circuit protected |
| | | 7) Do not bend below 0 °C | C = Interference pulse suppression |
| | | 8) Reference voltage 50 V DC | |

