

BEF-WNL01 MPA

- | | |
|---|--|
| Australia
Phone +61 3 9457 0600 | Österreich
Phone +43 (0)22 36 62 28 8-0 |
| Belgium/Luxembourg
Phone +32 (0)2 466 55 66 | Norge
Phone +47 67 81 50 00 |
| Brasil
Phone +55 11 3215-4900 | Polka
Phone +48 22 837 40 50 |
| Canada
Phone +1(952) 941-6780 | România
Phone +40 356 171 120 |
| Ceská Republika
Phone +420 2 57 91 18 50 | Russia
Phone +7-495-775-05-30 |
| China
Phone +852-2763 6966 | Schweiz
Phone +41 41 619 29 39 |
| Danmark
Phone +45 45 82 64 00 | Singapore
Phone +65 6744 3732 |
| Deutschland
Phone +49 211 5301-301 | Slovenija
Phone +386 (0)1-47 69 990 |
| España
Phone +34 93 480 31 00 | South Africa
Phone +27 11 472 3733 |
| France
Phone +33 1 64 62 35 00 | South Korea
Phone +82 2 786 6321/4 |
| Great Britain
Phone +44 (0)1727 831121 | Suomi
Phone +358-9-25 15 800 |
| India
Phone +91-22-4033 8333 | Sverige
Phone +46 10 110 10 00 |
| Israel
Phone +972-4-6801000 | Taiwan
Phone +886-2-2375-6288 |
| Italia
Phone +39 02 27 43 41 | Türkiye
Phone +90 (216) 528 50 00 |
| Japan
Phone +81 (0)3 3358 1341 | United Arab Emirates
Phone +971 (0) 4 8865 878 |
| Magyarország
Phone +36 1 371 2680 | USA/México
Phone +1(952) 941-6780 |
| Niederlands
Phone +31 (0)30 229 25 44 | |

SICK AG, Erwin-Sick-Strasse 1, D-79183 Waldkirch

Please find detailed addresses and additional representatives and agencies in all major industrial nations at www.sick.com

BZ int38

More representatives and agencies at www.sick.com · Subject to change without notice · The specified product features and technical data do not represent any guarantee.

Weitere Niederlassungen finden Sie unter www.sick.com · Irrtümer und Änderungen vorbehalten · Angegebene Produkteigenschaften und technische Daten stellen keine Garantieerklärung dar.

DEUTSCH

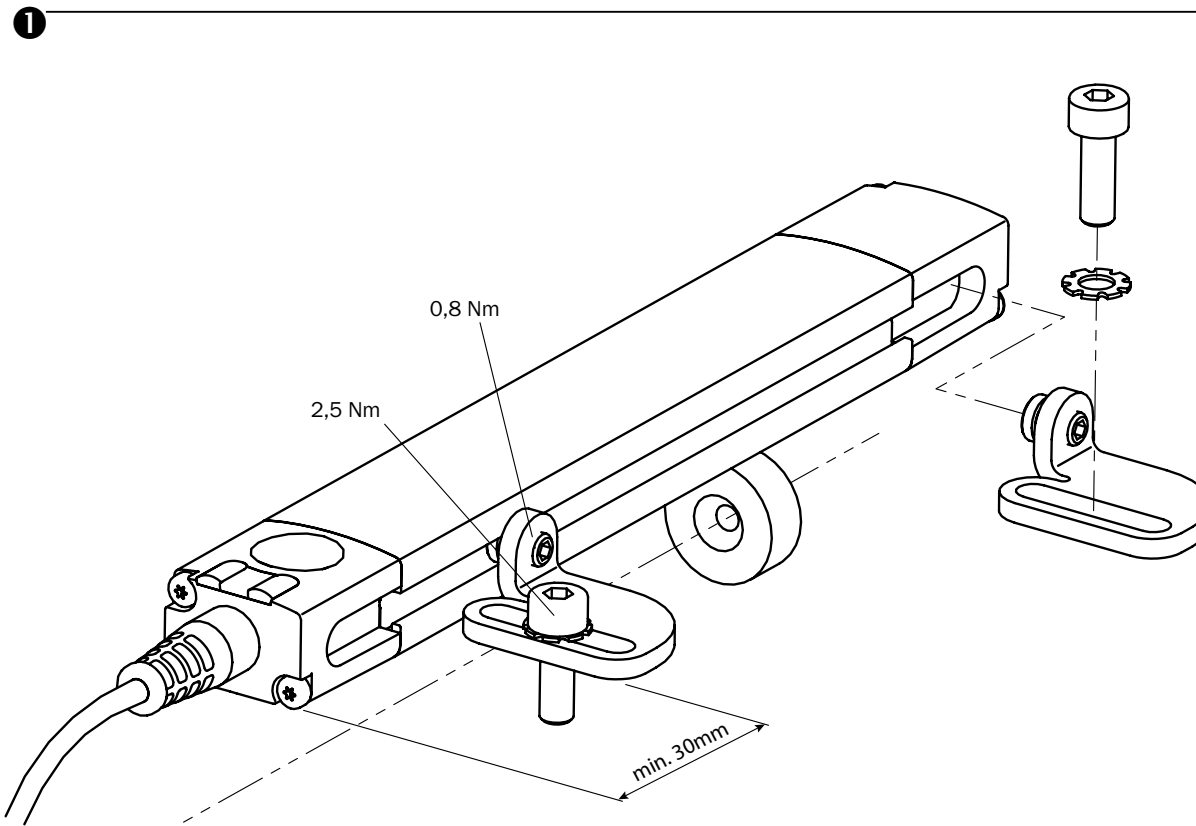
MPA – Befestigungshalter für Wand-/Bodenmontage Montageanleitung

Messbereich	Empfohlene Anzahl Halter
107 ... 251	2
287 ... 431	3
467 ... 647	4
683 ... 791	5
827 ... 1007	6

ENGLISH

MPA – Bracket for wall and floor mounting Mounting Instructions

Measuring range	Recommended number of adapters
107 ... 251	2
287 ... 431	3
467 ... 647	4
683 ... 791	5
827 ... 1007	6



2
Montagehinweise bei Verwendung des SICK-Positionsgebers Nr. 5327349
Mounting instructions when using the SICK positioner no. 5327349

