

i12S

Safety switches

SICK
Sensor Intelligence.



Described product

i12S

Manufacturer

SICK AG
Erwin-Sick-Str. 1
79183 Waldkirch
Germany

Legal information

This work is protected by copyright. Any rights derived from the copyright shall be reserved for SICK AG. Reproduction of this document or parts of this document is only permissible within the limits of the legal determination of Copyright Law. Any modification, abridgment or translation of this document is prohibited without the express written permission of SICK AG.

The trademarks stated in this document are the property of their respective owner.

© SICK AG. All rights reserved.

Original document

This document is an original document of SICK AG.



Contents

1	Scope.....	4
2	On safety.....	5
2.1	Qualified safety personnel.....	5
2.2	Applications of the safety switches.....	5
2.3	Correct use.....	6
2.4	General safety notes and protective measures.....	6
3	Mounting.....	7
3.1	Reversing the actuating direction.....	8
3.2	Protection against surroundings.....	9
4	Electrical installation.....	10
4.1	Variants with M16 cable entry.....	10
4.2	Variants with M12 plug connector.....	10
5	Commissioning.....	11
5.1	Tests before the initial commissioning.....	11
5.2	Periodic technical inspections.....	11
6	Disposal.....	12
7	Technical specifications.....	13
7.1	General system data.....	13
7.2	Dimensional drawings.....	14
7.3	Minimum door radius.....	15
8	Conformities and certificates.....	16
8.1	EU declaration of conformity.....	16
8.2	UK declaration of conformity.....	16

1 Scope

These operating instructions are applicable to the i12S safety switch.

These operating instructions are original operating instructions.

2 On safety

This chapter deals with your own safety and the safety of the equipment operators.

- ▶ Please read this chapter carefully before working with the i12S or with the machine protected by the i12S.

The national/international rules and regulations apply to the installation, commissioning, use and periodic technical inspections of the safety switches, in particular

- the Machinery Directive,
- the Low Voltage Directive,
- the Work Equipment Directive,
- the safety regulations as well as
- the work safety regulations/safety rules.

Manufacturers and operators of the machine on which the protective devices are used are responsible for obtaining and observing all applicable safety regulations and rules.

2.1 Qualified safety personnel

The i12S safety switch must be mounted, installed and commissioned only by qualified safety personnel. Qualified safety personnel are defined as persons who

- have undergone the appropriate technical training

and

- have been instructed by the responsible machine owner in the operation of the machine and the current valid safety guidelines

and

- who have access to these operating instructions.

2.2 Applications of the safety switches

Safety switches of the i12S series are electromagnetic switching devices.

They secure moving protective devices with a guard function so that

- the dangerous state of the machine can only be switched on when the guard is closed,
- a STOP command is triggered if the protective device is opened while the machine is operating.

For the control this means that

- activation commands that cause dangerous conditions, may only become active when the guard is in the protective position and the dangerous conditions have been terminated before the protective position is cancelled.

Prior to the use of safety switches, a risk assessment must be performed on the machine.



WARNING

The user is responsible for the safe integration of the safety switch in a safe overall system. For this purpose the overall system must be validated, e.g. in accordance with EN ISO 13849-2.

If the simplified procedure in accordance with section 6.3 EN ISO 13849-1 is used for validation, the Performance Level (PL) may be reduced if several devices are connected one after the other.

To determine the necessary reliability (Performance Level PL, SIL) for the safety function the related standards should be used:

- EN ISO 13849, Safety of machinery – Safety-related parts of control systems
 - EN 62061, Safety of machinery – Functional safety of safety-related electrical, electronic and programmable electronic control systems
-

2.3 Correct use

The i12S safety switch must be used only as defined in section 2.2 “Applications of the safety switches”. The safety switch must be used only on the machine where it has been mounted, installed and initialized by qualified safety personnel in accordance with these operating instructions.

The product may be used in safety functions.

All warranty claims against SICK AG are forfeited in the case of any other use, or alterations being made to the safety switch, even as part of its mounting or installation.

Correct use includes the regular inspection of the protective device by qualified safety personnel in accordance with section 5.2.

2.4 General safety notes and protective measures

Safety switches provide a protection function for persons. Incorrect installation or manipulation can result in serious injuries.



WARNING

Safety switches are not allowed to be bypassed, turned away, removed or made ineffective in any other manner. Take measures to reduce bypassing options as necessary. Observe EN ISO 14119 for using interlocking devices associated with physical guards.



WARNING

The switching procedure may only be activated by actuators specifically designated for that purpose, which are connected to the protective device in such a manner that they cannot be detached.

Restrict access to replacement actuators, so they cannot be used for bypassing.

3 Mounting



WARNING

Mounting is only allowed to be performed by qualified safety personnel.

- ▶ Observe EN ISO 14119 for using interlocking devices associated with physical guards.

Fit the safety switches such that

- it is difficult for operators to access when the protective device is open,
- it is possible to inspect and replace the safety switches.



NOTICE

Safety switches and actuators must not be used as a mechanical stop, [see figure 2](#)



NOTICE

Mount only in the assembled condition!

- ▶ Insert the actuator into the actuating head.
- ▶ Mount the safety switch positively.
- ▶ Tighten the safety switch using 2 × M4 screws to 1.4 Nm ([see figure 1](#)).

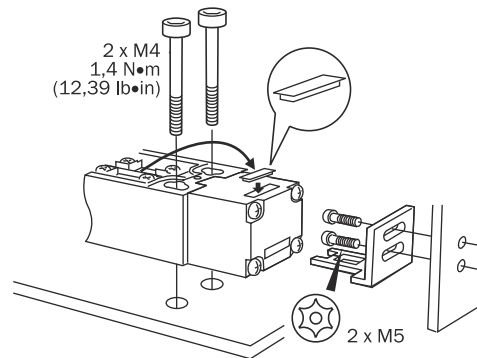


Figure 1: Mounting of the safety switch

- ▶ Connect the actuator to the protective device durably and non-detachably, e.g. using one-way bolts or by riveting or welding.
- ▶ Fit an additional stop for moving parts of the guard ([see figure 2](#)).
- ▶ Pay attention to the actuator insertion depth ([see figure 2](#)).
- ▶ Fit enclosed plug into unused actuator slot.

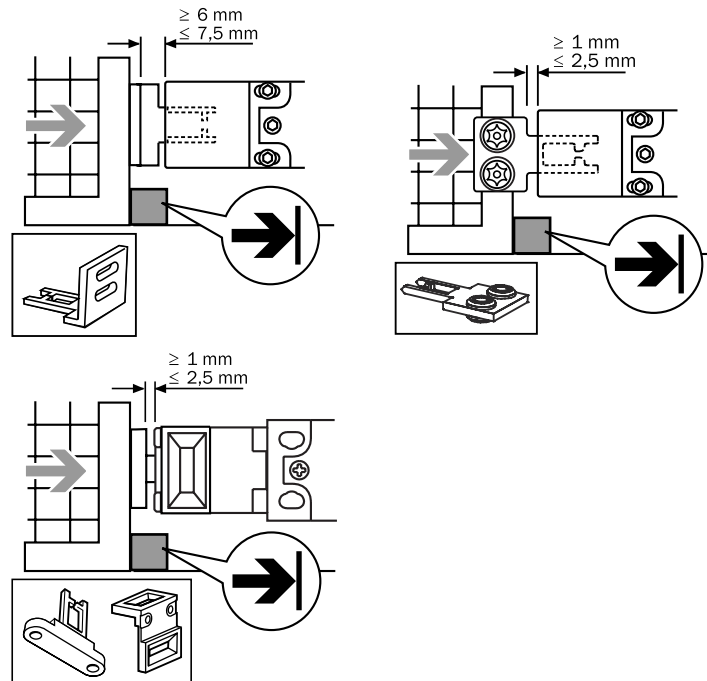


Figure 2: Mounting of actuator and safety switch

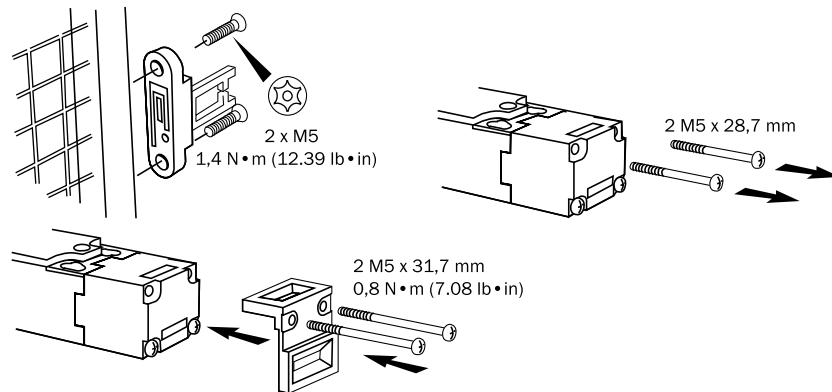


Figure 3: Mounting of the iE12-F1 actuator

3.1 Reversing the actuating direction

- ▶ Insert the actuator into the safety switch.
- ▶ Undo screws on the switch head (see figure 4, page 9).
- ▶ Set the required direction.

- ▶ Tighten screws on the switch head to 0.8 Nm.

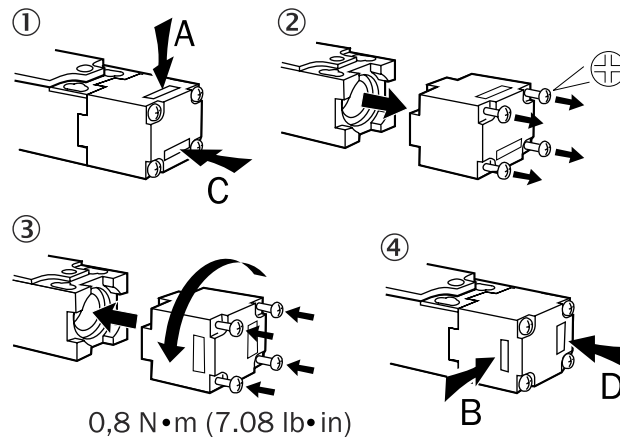


Figure 4: Reversing the actuating direction

3.2 Protection against surroundings

A precondition for a durable and perfect safety function is the protection of the actuating head against penetration by foreign matter such as shavings, sand, abrasive materials etc.

Cover the control slot, the actuator and the type label when painting.

4 Electrical installation



WARNING

The electrical connection is only allowed to be made by qualified safety personnel.

4.1 Variants with M16 cable entry

- ▶ Break open the desired opening.
- ▶ Fit the M16 cable gland with the corresponding enclosure rating.
- ▶ Contact assignments see figure 5, page 10.
- ▶ Operate all contact pairs in the same voltage range.
- ▶ Connect all live parts to one side of the contact block.

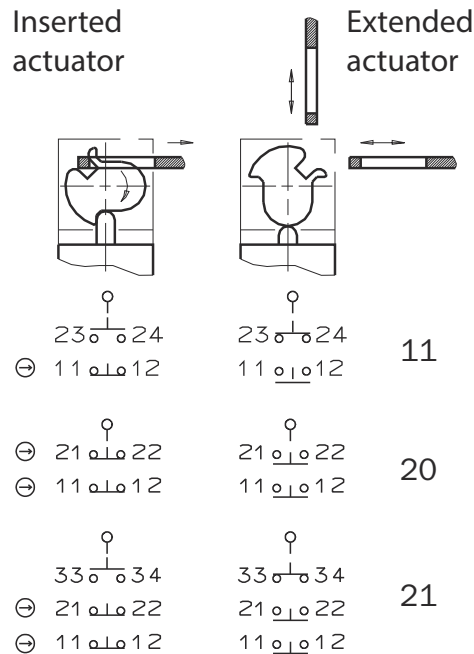


Figure 5: Switching elements and switching functions for variants with M16 cable entry

- ▶ Tighten the clamping bolts to 1.0 Nm.
- ▶ Ensure the cable entry is leak-proof.
- ▶ Close and screw switch cover in place.
- ▶ Tighten screw to 1.2 Nm.

4.2 Variants with M12 plug connector

	Pin	Assignment
	1/2	Positively guided NC contacts 11/12
	3/4	Positively guided NC contacts 21/22

5 Commissioning

5.1 Tests before the initial commissioning

- mechanical functional check It must be possible to insert the actuator into the actuating head without any problem. Close the protective device several times to verify.
- electrical functional check
- ▶ Close the guard.
- ▶ Start the machine.



WARNING

Check whether the machine stops when the guard is opened.

- ▶ Switch off the machine.
- ▶ Open the guard.
- ▶ Attempt to start the machine.



WARNING

The machine must not start with a guard open!

5.2 Periodic technical inspections

To ensure correct function over the long term, regular checks are necessary.

Daily or prior to the start of the shift the operator must check for:

- correct function
- no visible evidence of tampering

Regularly according to the machine maintenance schedule by qualified safety personnel:

- correct switching function



DANGER

Check whether the machine stops when the guard is opened.

- safe mounting of the modules
- deposits and wear and tear
- correct sealing of the cable entry or plug connection
- loose cable connections or plug connectors



DANGER

The entire switch and actuator must be replaced in the case of damage or wear and tear. It is not permitted to exchange individual components or modules!

Safety switches must be completely replaced after 1 million switching operations.

6 Disposal



Always dispose of serviceability devices in compliance with local/ national rules and regulations with respect to waste disposal.

7 Technical specifications

7.1 General system data

	i12-SA113, i12-SA203	i12-SB213	i12-SA205, i12-SB215
Housing material	Glass-reinforced polyester		
Enclosure rating (IEC 60529)	IP67		
Mechanical life	1 × 10 ⁶ switching operations		
B _{10D} (EN ISO 13849-1)	2 × 10 ⁶ switching operations with low load		
Type	Type 2 (EN ISO 14119)		
Actuator coding level	Low coding level (EN ISO 14119)		
Operating temperature	-20 ... +80 °C		
Type of connection	Cable entry 1 × M16		Plug connection 1 × M12 (4-pin)
Approach speed max.	10 m/min		
Retaining force max.	6 N	15 N	i12-SA205: 6 N i12-SB215: 15 N
Actuation frequency max.	7200/h		
Contact elements positively guided NC contacts/NO contacts	1/1, 2/0 or 2/1		2/0
Rated impulse withstand voltage U _{imp} contacts referred to housing	2500 V		1500 V
Rated insulation voltage U _i	250 V		30 V
Usage category (IEC 60947-5-1)	AC-15: 240 V/3 A DC-13: 24 V/2 A		DC-13: 24 V/2 A
Switching voltage min.	5 V DC		
Switching current min. at 5 V DC	5 mA		
Connection cross-section	1 × 1,5 mm ²		-
Short-circuit protection	T10/10 A		2 A
Torque requirements for screws			
Mounting screws housing	1,4 Nm		
Cover screws	1,2 Nm		
Jam screws contacts	1,0 Nm		
Head screw	0,8 Nm		
Minimum door radius	Minimum door radius		

7.2 Dimensional drawings

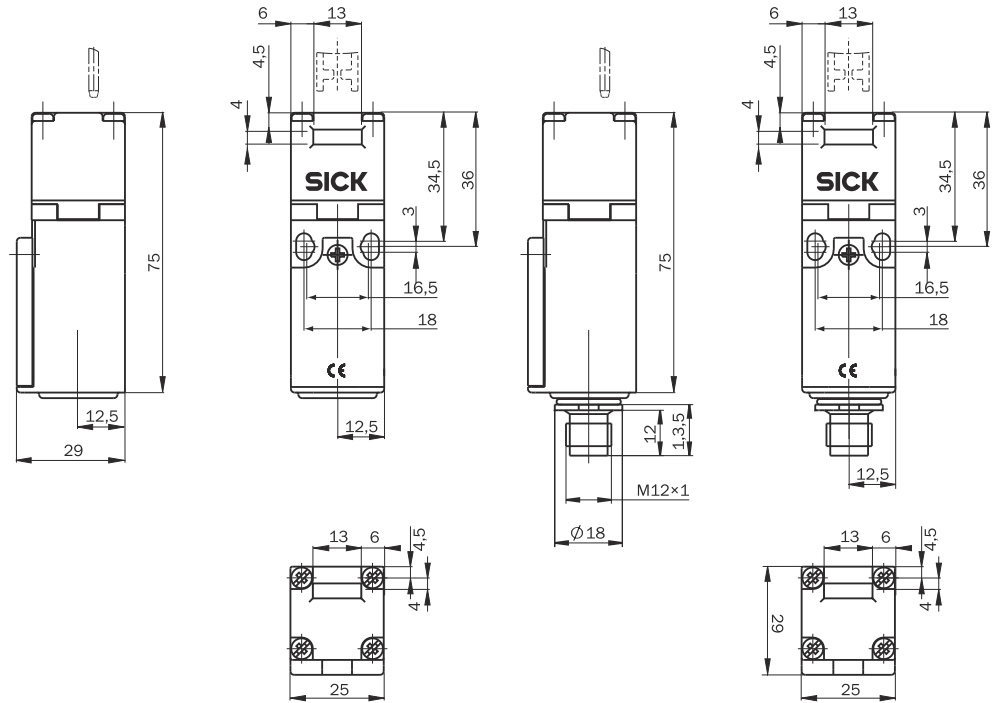


Figure 6: Dimensional drawing i12-SA113 and i12-SA203

Figure 7: Dimensional drawing i12-SA205

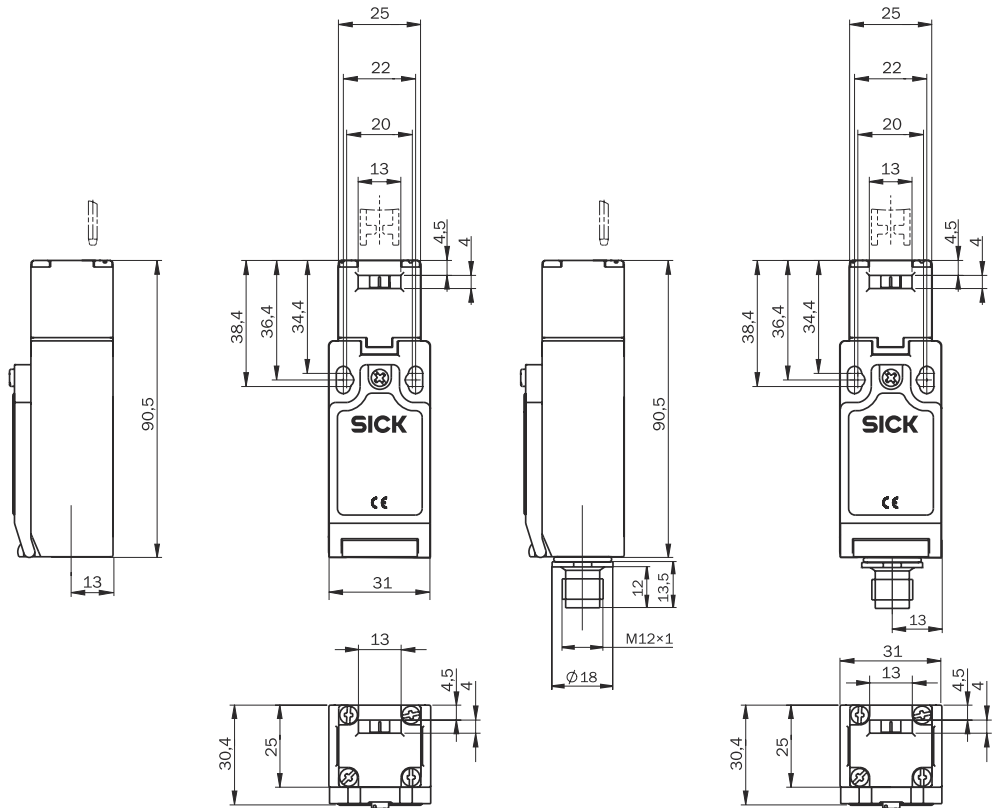


Figure 8: Dimensional drawing i12-SB213

Figure 9: Dimensional drawing j12-SB215

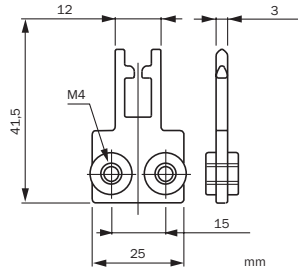


Figure 10: Dimensional drawing iE12-S1

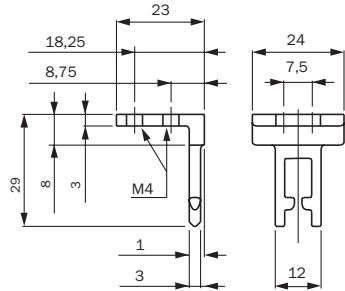


Figure 11: Dimensional drawing iE12-A1

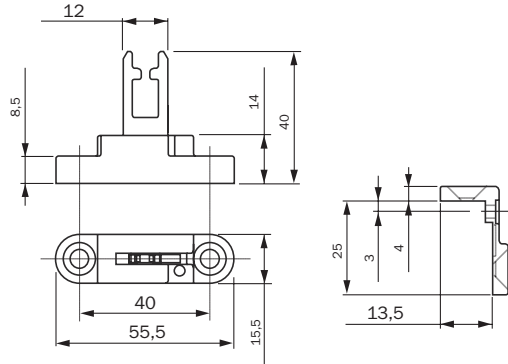


Figure 12: Dimensional drawing iE12-F1

7.3 Minimum door radius

iE12-S1	150 mm	150 mm	150 mm	200 mm
iE12-A1	150 mm	150 mm	150 mm	200 mm
iE12-F1	150 mm	60 mm	60 mm	200 mm

8 Conformities and certificates

You can obtain declarations of conformity, certificates, and the current operating instructions for the product at www.sick.com. To do so, enter the product part number in the search field (part number: see the entry in the “P/N” or “Ident. no.” field on the type label).

8.1 EU declaration of conformity

Excerpt

The undersigned, representing the manufacturer, herewith declares that the product is in conformity with the provisions of the following EU directive(s) (including all applicable amendments), and that the standards and/or technical specifications stated in the EU declaration of conformity have been used as a basis for this.

- ROHS DIRECTIVE 2011/65/EU
- MACHINERY DIRECTIVE 2006/42/EC

8.2 UK declaration of conformity

Excerpt

The undersigned, representing the following manufacturer herewith declares that this declaration of conformity is issued under the sole responsibility of the manufacturer. The product of this declaration is in conformity with the provisions of the following relevant UK Statutory Instruments (including all applicable amendments), and the respective standards and/or technical specifications have been used as a basis.

- Restriction of the Use of Certain Hazardous Substances in Electrical and Electronic Equipment Regulations 2012
- Supply of Machinery (Safety) Regulations 2008

Australia

Phone +61 (3) 9457 0600
1800 33 48 02 – tollfree
E-Mail sales@sick.com.au

Austria

Phone +43 (0) 2236 62288-0
E-Mail office@sick.at

Belgium/Luxembourg

Phone +32 (0) 2 466 55 66
E-Mail info@sick.be

Brazil

Phone +55 11 3215-4900
E-Mail comercial@sick.com.br

Canada

Phone +1 905.771.1444
E-Mail cs.canada@sick.com

Czech Republic

Phone +420 234 719 500
E-Mail sick@sick.cz

Chile

Phone +56 (2) 2274 7430
E-Mail chile@sick.com

China

Phone +86 20 2882 3600
E-Mail info.china@sick.net.cn

Denmark

Phone +45 45 82 64 00
E-Mail sick@sick.dk

Finland

Phone +358-9-25 15 800
E-Mail sick@sick.fi

France

Phone +33 1 64 62 35 00
E-Mail info@sick.fr

Germany

Phone +49 (0) 2 11 53 010
E-Mail info@sick.de

Greece

Phone +30 210 6825100
E-Mail office@sick.com.gr

Hong Kong

Phone +852 2153 6300
E-Mail ghk@sick.com.hk

Hungary

Phone +36 1 371 2680
E-Mail ertekesites@sick.hu

India

Phone +91-22-6119 8900
E-Mail info@sick-india.com

Israel

Phone +972 97110 11
E-Mail info@sick-sensors.com

Italy

Phone +39 02 27 43 41
E-Mail info@sick.it

Japan

Phone +81 3 5309 2112
E-Mail support@sick.jp

Malaysia

Phone +603-8080 7425
E-Mail enquiry.my@sick.com

Mexico

Phone +52 (472) 748 9451
E-Mail mexico@sick.com

Netherlands

Phone +31 (0) 30 229 25 44
E-Mail info@sick.nl

New Zealand

Phone +64 9 415 0459
0800 222 278 – tollfree
E-Mail sales@sick.co.nz

Norway

Phone +47 67 81 50 00
E-Mail sick@sick.no

Poland

Phone +48 22 539 41 00
E-Mail info@sick.pl

Romania

Phone +40 356-17 11 20
E-Mail office@sick.ro

Russia

Phone +7 495 283 09 90
E-Mail info@sick.ru

Singapore

Phone +65 6744 3732
E-Mail sales.gsg@sick.com

Slovakia

Phone +421 482 901 201
E-Mail mail@sick-sk.sk

Slovenia

Phone +386 591 78849
E-Mail office@sick.si

South Africa

Phone +27 10 060 0550
E-Mail info@sickautomation.co.za

South Korea

Phone +82 2 786 6321/4
E-Mail infokorea@sick.com

Spain

Phone +34 93 480 31 00
E-Mail info@sick.es

Sweden

Phone +46 10 110 10 00
E-Mail info@sick.se

Switzerland

Phone +41 41 619 29 39
E-Mail contact@sick.ch

Taiwan

Phone +886-2-2375-6288
E-Mail sales@sick.com.tw

Thailand

Phone +66 2 645 0009
E-Mail marcom.th@sick.com

Turkey

Phone +90 (216) 528 50 00
E-Mail info@sick.com.tr

United Arab Emirates

Phone +971 (0) 4 88 65 878
E-Mail contact@sick.ae

United Kingdom

Phone +44 (0)17278 31121
E-Mail info@sick.co.uk

USA

Phone +1 800.325.7425
E-Mail info@sick.com

Vietnam

Phone +65 6744 3732
E-Mail sales.gsg@sick.com

Detailed addresses and further locations at www.sick.com

