



AKA-NXL1BXB12KX

Bus adapters

INTEGRATION MODULES AND ADAPTERS

SICK
Sensor Intelligence.



Ordering information

Type	Part no.
AKA-NXL1BXB12KX	6067651

Other models and accessories → www.sick.com/Bus_adapters

Detailed technical data

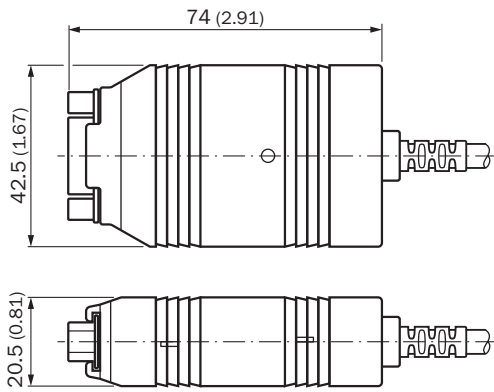
Features

Accessory group	Bus adapters
Description	CAN-USB Adapter to connect MLS with a PC
Enclosure rating	IP20, IP20
Operating voltage	5 V
Ambient operating temperature	-40 °C ... +85 °C
Dimensions (W x H x L)	42.5 mm x 20.5 mm x 74 mm

Classifications

ECLASS 5.0	27279201
ECLASS 5.1.4	27279201
ECLASS 6.0	27279201
ECLASS 6.2	27279201
ECLASS 7.0	27279201
ECLASS 8.0	27279201
ECLASS 8.1	27279201
ECLASS 9.0	27440106
ECLASS 10.0	27440106
ECLASS 11.0	27440106
ECLASS 12.0	27440106
ETIM 5.0	EC000313
ETIM 6.0	EC000313
ETIM 7.0	EC000313
ETIM 8.0	EC000313
UNSPSC 16.0901	31163032

Dimensional drawing (Dimensions in mm (inch))



SICK AT A GLANCE

SICK is one of the leading manufacturers of intelligent sensors and sensor solutions for industrial applications. A unique range of products and services creates the perfect basis for controlling processes securely and efficiently, protecting individuals from accidents and preventing damage to the environment.

We have extensive experience in a wide range of industries and understand their processes and requirements. With intelligent sensors, we can deliver exactly what our customers need. In application centers in Europe, Asia and North America, system solutions are tested and optimized in accordance with customer specifications. All this makes us a reliable supplier and development partner.

Comprehensive services complete our offering: SICK LifeTime Services provide support throughout the machine life cycle and ensure safety and productivity.

For us, that is “Sensor Intelligence.”

WORLDWIDE PRESENCE:

Contacts and other locations –www.sick.com