



SBO-02F12-SM1

SICK
Sensor Intelligence.



Illustration may differ

Ordering information

Type	Part no.
SBO-02F12-SM1	6053172

Other models and accessories → www.sick.com/

Detailed technical data

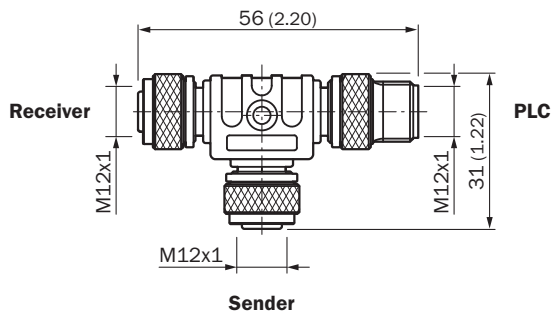
Technical specifications

Accessory group	Distributors
Accessory family	T-junctions
Connection type head A	Female connector, M12, 5-pin, A-coded
Connection type head B	Female connector, M12, 8-pin, A-coded
Connector color	Black
Reference voltage	≤ 30 V DC
Current loading	4 A
Note	Male connector M12, 8-pin, to 1 x female connector M12, 8-pin, to 1 x female connector M12, 5-pin For connecting of a PLC
Enclosure rating	IP67 ¹⁾
Ambient operating temperature	Head -30 °C ... +90 °C

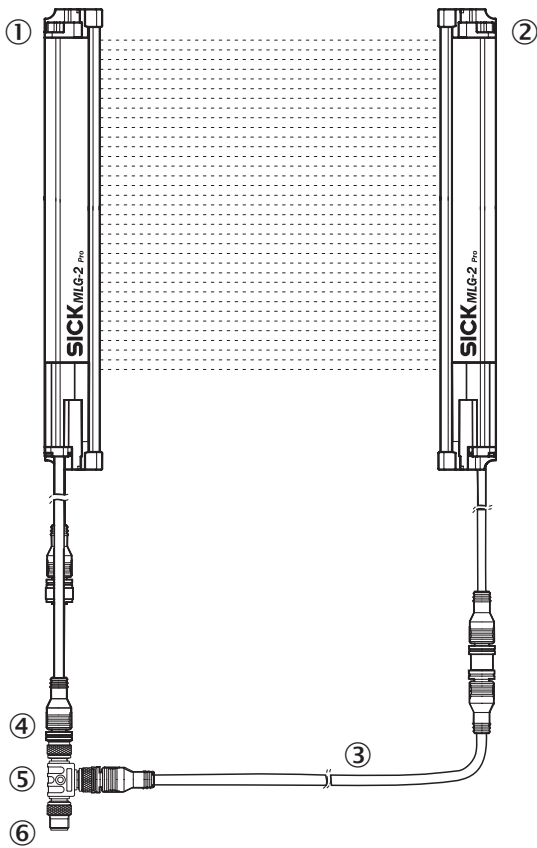
¹⁾ Only in fully locked position with its plugs.

Dimensional drawing (Dimensions in mm (inch))

SBO-02F12-SM



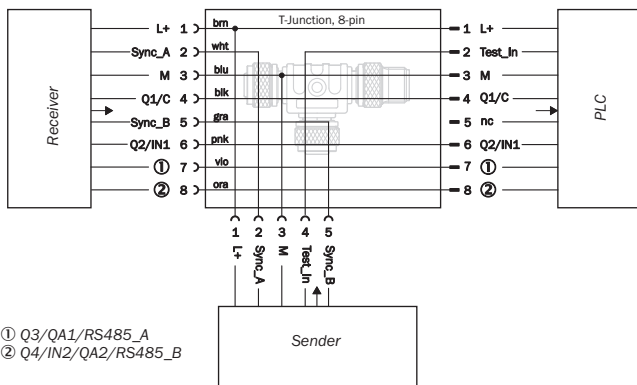
Connection type



- ① MLG-2 receiver
- ② MLG-2 sender
- ③ Connection cable
- ④ MLG-2 connection
- ⑤ T-piece
- ⑥ Connection

Anschlusschema

T-piece



- ① Q3/QA1/RS485_A
- ② Q4/IN2/QA2/RS485_B

SICK AT A GLANCE

SICK is one of the leading manufacturers of intelligent sensors and sensor solutions for industrial applications. A unique range of products and services creates the perfect basis for controlling processes securely and efficiently, protecting individuals from accidents and preventing damage to the environment.

We have extensive experience in a wide range of industries and understand their processes and requirements. With intelligent sensors, we can deliver exactly what our customers need. In application centers in Europe, Asia and North America, system solutions are tested and optimized in accordance with customer specifications. All this makes us a reliable supplier and development partner.

Comprehensive services complete our offering: SICK LifeTime Services provide support throughout the machine life cycle and ensure safety and productivity.

For us, that is “Sensor Intelligence.”

WORLDWIDE PRESENCE:

Contacts and other locations –www.sick.com