

BEF-FA-020-030

Flanges and nozzles

MOUNTING SYSTEMS

SICK
Sensor Intelligence.



Ordering information

Type	Part no.
BEF-FA-020-030	2072295

Other models and accessories → www.sick.com/Flanges_and_nozzles

Detailed technical data

Technical specifications

Accessory group	Mounting systems
Accessory family	Flanges and nozzles
Description	Flange adapter, adapts face mount flange with 20 mm centering collar to face mount flange with 30 mm centering collar

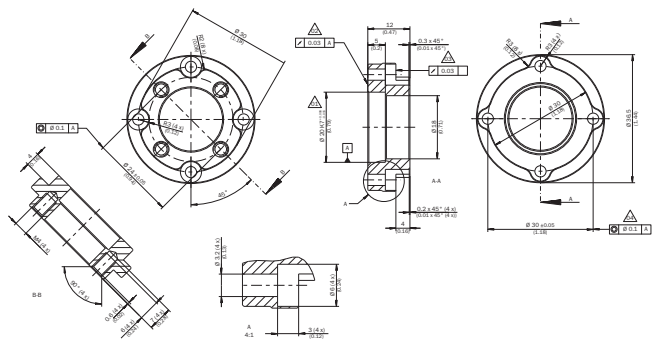
Classifications

ECLASS 5.0	27279202
ECLASS 5.1.4	27279202
ECLASS 6.0	27279202
ECLASS 6.2	27279202
ECLASS 7.0	27279202
ECLASS 8.0	27279202
ECLASS 8.1	27279202
ECLASS 9.0	27273701
ECLASS 10.0	27273701
ECLASS 11.0	27273701
ECLASS 12.0	27273701
ETIM 5.0	EC002615
ETIM 6.0	EC002615
ETIM 7.0	EC002615
ETIM 8.0	EC002615
UNSPSC 16.0901	32131023

Features

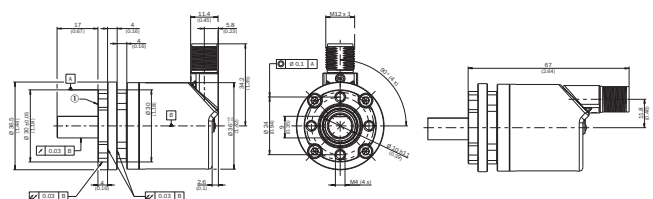
Description	Flange adapter, adapts face mount flange with 20 mm centering collar to face mount flange with 30 mm centering collar
--------------------	---

Dimensional drawing (Dimensions in mm (inch))



Instruction for installation

Solid shaft, face mount flange with flange adapter, centering collar D20 on D30 (BEF-FA-020-030, 2072295)



Order example for 10 mm shaft diameter: AHx36x-SCxx0xxxx + BEF-FA-020-030 (adapter is not pre-assembled)

① Measuring point for operating temperature

SICK AT A GLANCE

SICK is one of the leading manufacturers of intelligent sensors and sensor solutions for industrial applications. A unique range of products and services creates the perfect basis for controlling processes securely and efficiently, protecting individuals from accidents and preventing damage to the environment.

We have extensive experience in a wide range of industries and understand their processes and requirements. With intelligent sensors, we can deliver exactly what our customers need. In application centers in Europe, Asia and North America, system solutions are tested and optimized in accordance with customer specifications. All this makes us a reliable supplier and development partner.

Comprehensive services complete our offering: SICK LifeTime Services provide support throughout the machine life cycle and ensure safety and productivity.

For us, that is “Sensor Intelligence.”

WORLDWIDE PRESENCE:

Contacts and other locations –www.sick.com