

MRA-F130-DP

Assembly accessories

MOUNTING SYSTEMS

SICK
Sensor Intelligence.

Ordering information

Type	Part no.
MRA-F130-DP	6080620

Other models and accessories → www.sick.com/Assembly_accessories

Detailed technical data

Technical specifications

Accessory group	Mounting systems
Accessory family	Assembly accessories
Description	Wire draw double deflection pulley for wire draw mechanism MRA-F130 (5 m, 10 m, 20 m and 30 m from HighLine series)

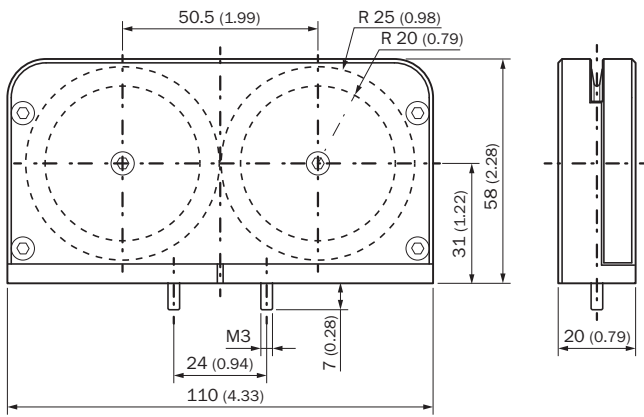
Classifications

ECLASS 5.0	27279202
ECLASS 5.1.4	27279202
ECLASS 6.0	27279202
ECLASS 6.2	27279202
ECLASS 7.0	27279202
ECLASS 8.0	27279202
ECLASS 8.1	27279202
ECLASS 9.0	27273701
ECLASS 10.0	27273701
ECLASS 11.0	27273701
ECLASS 12.0	27273701
ETIM 5.0	EC002024
ETIM 6.0	EC002024
ETIM 7.0	EC002024
ETIM 8.0	EC002024
UNSPSC 16.0901	32131023

Features

Description	Wire draw double deflection pulley for wire draw mechanism MRA-F130 (5 m, 10 m, 20 m and 30 m from HighLine series)
--------------------	---

Dimensional drawing (Dimensions in mm (inch))



SICK AT A GLANCE

SICK is one of the leading manufacturers of intelligent sensors and sensor solutions for industrial applications. A unique range of products and services creates the perfect basis for controlling processes securely and efficiently, protecting individuals from accidents and preventing damage to the environment.

We have extensive experience in a wide range of industries and understand their processes and requirements. With intelligent sensors, we can deliver exactly what our customers need. In application centers in Europe, Asia and North America, system solutions are tested and optimized in accordance with customer specifications. All this makes us a reliable supplier and development partner.

Comprehensive services complete our offering: SICK LifeTime Services provide support throughout the machine life cycle and ensure safety and productivity.

For us, that is “Sensor Intelligence.”

WORLDWIDE PRESENCE:

Contacts and other locations –www.sick.com