



PLH25-M12

Reflectors

OPTIC

SICK
Sensor Intelligence.



Ordering information

Type	Part no.
PLH25-M12	2063403

Other models and accessories → www.sick.com/Reflectors

Detailed technical data

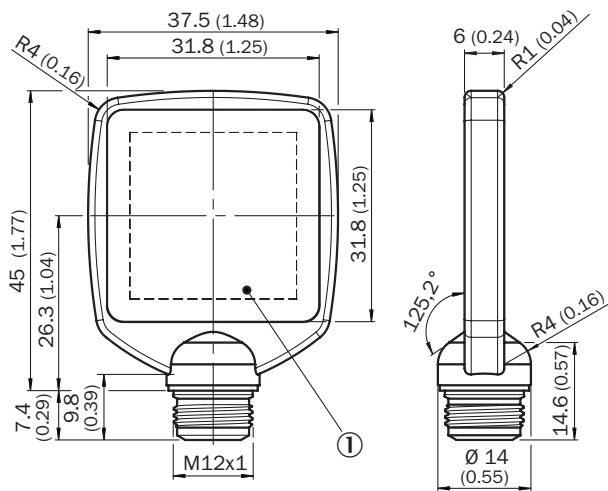
Classifications

ECLASS 5.0	27279203
ECLASS 5.1.4	27279203
ECLASS 6.0	27279203
ECLASS 6.2	27279203
ECLASS 7.0	27279203
ECLASS 8.0	27279203
ECLASS 8.1	27279203
ECLASS 9.0	27273601
ECLASS 10.0	27273601
ECLASS 11.0	27273601
ECLASS 12.0	27273601
ETIM 5.0	EC002467
ETIM 6.0	EC002467
ETIM 7.0	EC002467
ETIM 8.0	EC002467
UNSPSC 16.0901	39111827

Features

Description	Stainless steel reflector, hygienic design, chemically resistant, Enclosure rating IP 69K, M12-adapter thread, PMMA front screens
Material	Stainless steel V4A (1.4404, 316L)
Dimensions (W x H x L)	25 mm
Ambient operating temperature	-20 °C +60 °C

Dimensional drawing (Dimensions in mm (inch))



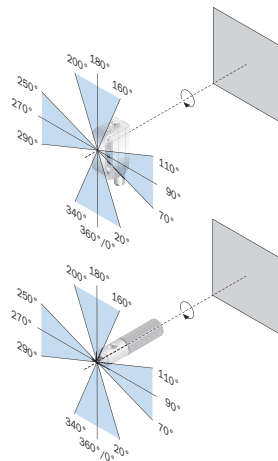
① Reflective area

Instruction for installation

When using the REF-AC1000 or REF-AC1000xx reflective tape and the P41F reflector, attention must be paid to the operating range with respect to the angle of rotation. To guarantee reliable operation, the sensor and the reflector must only be used in the following angle of rotation ranges (rotation about the light beam axis), assuming the orientation between sensor and reflector shown in the diagram.

340°	—	20°
70°	—	110°
160°	—	200°
250°	—	290°

If the sensor is operated in another angle of rotation range when compared to the reflective tape, the reflection performance will be reduced to virtually zero.



SICK AT A GLANCE

SICK is one of the leading manufacturers of intelligent sensors and sensor solutions for industrial applications. A unique range of products and services creates the perfect basis for controlling processes securely and efficiently, protecting individuals from accidents and preventing damage to the environment.

We have extensive experience in a wide range of industries and understand their processes and requirements. With intelligent sensors, we can deliver exactly what our customers need. In application centers in Europe, Asia and North America, system solutions are tested and optimized in accordance with customer specifications. All this makes us a reliable supplier and development partner.

Comprehensive services complete our offering: SICK LifeTime Services provide support throughout the machine life cycle and ensure safety and productivity.

For us, that is “Sensor Intelligence.”

WORLDWIDE PRESENCE:

Contacts and other locations –www.sick.com