

ZIM-2B2120

Interface modules

INTEGRATION MODULES AND ADAPTERS

SICK
Sensor Intelligence.

Ordering information

Type	Part no.
ZIM-2B2120	7029705

Other models and accessories → www.sick.com/Interface_modules

Detailed technical data

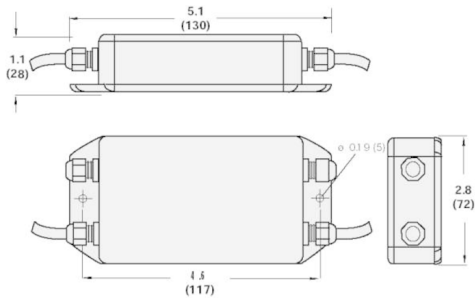
Classifications

ECLASS 5.0	27242202
ECLASS 5.1.4	27219190
ECLASS 6.0	27219190
ECLASS 6.2	27219190
ECLASS 7.0	27211014
ECLASS 8.0	27211014
ECLASS 8.1	27211014
ECLASS 9.0	27211014
ECLASS 10.0	27211014
ECLASS 11.0	27211014
ECLASS 12.0	27211014
ETIM 5.0	EC001604
ETIM 6.0	EC001604
ETIM 7.0	EC001604
ETIM 8.0	EC001604
UNSPSC 16.0901	43201544

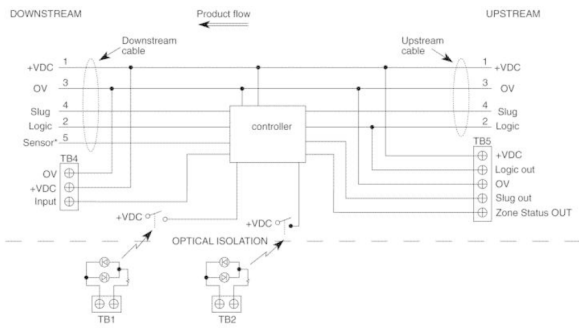
Features

Description	Release interface module for WTR, 300mm upstream male cable, 30mm downstream female cable
--------------------	---

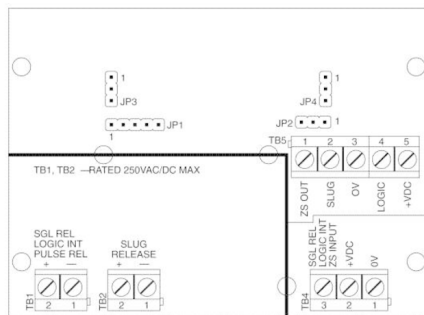
Dimensional drawing (Dimensions in mm (inch))



Anschlusschema



PIN assignment



SICK AT A GLANCE

SICK is one of the leading manufacturers of intelligent sensors and sensor solutions for industrial applications. A unique range of products and services creates the perfect basis for controlling processes securely and efficiently, protecting individuals from accidents and preventing damage to the environment.

We have extensive experience in a wide range of industries and understand their processes and requirements. With intelligent sensors, we can deliver exactly what our customers need. In application centers in Europe, Asia and North America, system solutions are tested and optimized in accordance with customer specifications. All this makes us a reliable supplier and development partner.

Comprehensive services complete our offering: SICK LifeTime Services provide support throughout the machine life cycle and ensure safety and productivity.

For us, that is “Sensor Intelligence.”

WORLDWIDE PRESENCE:

Contacts and other locations –www.sick.com