



LMS200-30106

LMS2xx

2D LASER SCANNERS

SICK
Sensor Intelligence.



Ordering information

Type	Part no.
LMS200-30106	1015850

Other models and accessories → www.sick.com/LMS2xx



Detailed technical data

Features

Version	Short Range
Field of application	Indoor
Light source	Infrared (905 nm)
MTBF	80,000 h
Laser class	1, eye-safe (EN/IEC 60825-1, 21CFR 1040.10)
Aperture angle	180°
Scanning frequency	75 Hz
Angular resolution	0.25° 0.5° 1°
Heating	Optional via external heating plate
Operating range	0 m ... 80 m
Max. range with 10 % reflectivity	10 m
Fog correction	No

Performance

Response time	≥ 13 ms
Detectable object shape	Almost any
Systematic error	± 15 mm ¹⁾
Statistical error	± 5 mm ¹⁾
Integrated application	Field evaluation
Number of field sets	2 field triples (6 fields)
Simultaneous evaluation cases	1 (3 fields)

¹⁾ Typical value; actual value depends on environmental conditions.

Interfaces

Serial (RS-232, RS-422)	✓
Function	Host, AUX

Data transmission rate	RS-232: 9.6 / 19.2 kBd and RS-422: 9.6 / 19.2/ 38.4/ 500 kBd
Switching inputs	1
Switching outputs	3
Optical indicators	3 LEDs

Mechanics/electronics

Electrical connection	2 x System plug with 9-pin D-SUB female connector (solder connection)
Operating voltage	≤ 24 V DC, ± 15 %
Power consumption	30 W
Housing	Aluminum die cast
Housing color	Light blue (RAL 5012)
Enclosure rating	IP 65
Protection class	II (VDE 0106/IEC 1010-1) ¹⁾
Weight	4.5 kg
Dimensions (L x W x H)	156 mm x 155 mm x 210 mm

¹⁾ Insulated.

Ambient data

Object remission	1.8 % ... 10,000 %
Electromagnetic compatibility (EMC)	EN 61000-6-2 / EN 61000-6-3 / A11 (2004-07)
Vibration resistance	IEC 68
Shock resistance	IEC 68
Ambient operating temperature	0 °C ... +50 °C
Storage temperature	-30 °C ... +70 °C, with heating plate -12 ... +50 °C
Permissible relative humidity	90 %, Non-condensing

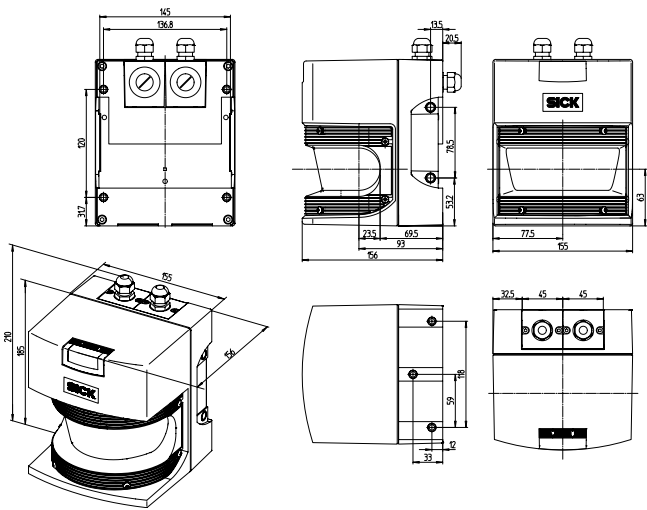
General notes

Life cycle phase	Discontinued
Note on use	Not suitable for personnel protection

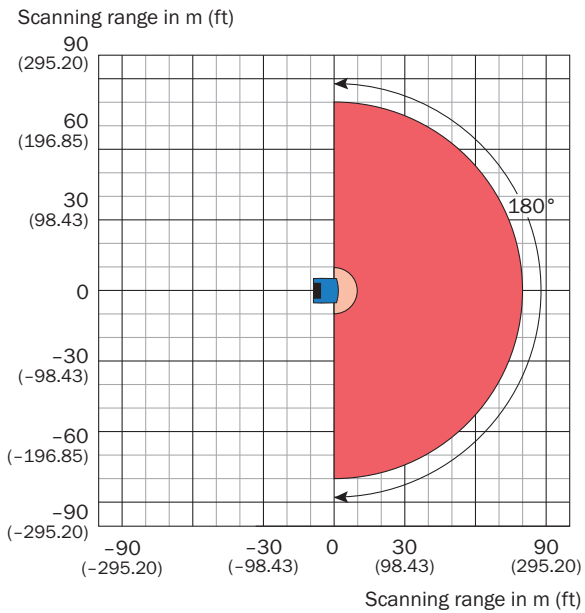
Classifications

ECl@ss 5.0	27270990
ECl@ss 5.1.4	27270990
ECl@ss 6.0	27270913
ECl@ss 6.2	27270913
ECl@ss 7.0	27270913
ECl@ss 8.0	27270913
ECl@ss 8.1	27270913
ECl@ss 9.0	27270913
ETIM 5.0	EC002550
ETIM 6.0	EC002550
UNSPSC 16.0901	46171620

Dimensional drawing (Dimensions in mm (inch))







Operating range diagram



- Scanning range max. 80 m (262.47 ft)
- Scanning range for objects up to 10 % remission 10 m (32.81 ft)

Recommended accessories

Other models and accessories → www.sick.com/LMS2xx

	Brief description	Type	Part no.
Mounting brackets and mounting plates			
	1 piece, mounting bracket for direct mounting, from the rear, on wall or machine, not adjustable	Mounting kit 1	2015623
Modules and gateways			
	Connection housing synchronization	Synchronization connector housing	2021520
Plug connectors and cables			
	Head A: female connector, D-Sub, 9-pin Head B: male connector, D-Sub, 9-pin Cable: RS-232, shielded, 3 m For the connection of PCs of LMS/LMI	Interface cable	2016401
	Cable: shielded, 2 LMS-connection plugs for voltage and data interfaces In-/Outputs, without cables	Connection set	2018963
Test and monitoring tools			
	Scan finder, receiver to localize infrared scans	Scan-Finder LS-80L	6020756

SICK AT A GLANCE

SICK is one of the leading manufacturers of intelligent sensors and sensor solutions for industrial applications. A unique range of products and services creates the perfect basis for controlling processes securely and efficiently, protecting individuals from accidents and preventing damage to the environment.

We have extensive experience in a wide range of industries and understand their processes and requirements. With intelligent sensors, we can deliver exactly what our customers need. In application centers in Europe, Asia and North America, system solutions are tested and optimized in accordance with customer specifications. All this makes us a reliable supplier and development partner.

Comprehensive services complete our offering: SICK LifeTime Services provide support throughout the machine life cycle and ensure safety and productivity.

For us, that is “Sensor Intelligence.”

WORLDWIDE PRESENCE:

Contacts and other locations –www.sick.com