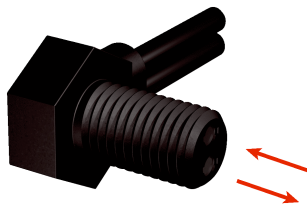


LL3-DV06

Fiber-optic cables

FIBERS

SICK
Sensor Intelligence.



Ordering information

Type	Part no.
LL3-DV06	5322550

Other models and accessories → www.sick.com/Fiber-optic_cables

Detailed technical data

Features

Device type	Fiber-optic cables
Functional principle	Proximity system
Fiber-optic head design	Threaded sleeve, 90° deflection
Application	Heat-resistant (≥100 °C)
Compatible fiber-optic amplifiers	WLL80, WLL180, GLL170(T), WLL24 Ex
Sensing range max.	540 mm (Sensing range of WLL80 at 8 ms)
Minimal object diameter	0.015 mm ¹⁾
Optical fiber head	
Angle of dispersion	15.94°
Integrated lens	Yes
Compatibility tip adapters	No
Optical fiber	
Compatibility with infrared light	No
Optical fiber cable can be shortened	✓

¹⁾ Minimum detectable object was determined at optimum measuring distance and optimum setting.

Mechanics

Optical fiber head	
Light emission	Radial
Thread diameter (housing)	M6
Optical fiber	
Fiber length	2,000 mm
Bending radius	25 mm
Dynamic flexibility (robotics)	No
Outside diameter, optical fiber cable connection	2.2 mm
Fiber arrangement	Singlefiber
Core structure	Singlefiber
Material	
Optical fiber head	Polyamid (PA)
Sheath	Polyethylen (PE)
Fibers	Polymethylmethacrylat (PMMA)
Weight	29 g

Ambient data

Ambient operating temperature	-40 °C ... +105 °C
--------------------------------------	--------------------

Classifications

ECLASS 5.0	27270905
ECLASS 5.1.4	27270905
ECLASS 6.0	27270905
ECLASS 6.2	27270905
ECLASS 7.0	27270905
ECLASS 8.0	27270905
ECLASS 8.1	27270905
ECLASS 9.0	27270905
ECLASS 10.0	27270905
ECLASS 11.0	27270905
ECLASS 12.0	27270905
ETIM 5.0	EC002651
ETIM 6.0	EC002651
ETIM 7.0	EC002651
ETIM 8.0	EC002651
UNSPSC 16.0901	39121528

Sensing ranges with WLL80

Operating mode 16 µs	35 mm
Operating mode 70 µs	105 mm
Operating mode 250 µs	175 mm
Operating mode 500 µs	215 mm
Operating mode 1 ms	255 mm
Operating mode 2 ms	360 mm
Operating mode 8 ms	540 mm
Note	30 mm 130 mm 210 mm 450 mm 800 mm Sensing ranges related to fiber-optic sensors with type of light: visible red light

Sensing ranges with WLL180T

Operating mode 16 µs	30 mm
Operating mode 70 µs	130 mm
Operating mode 250 µs	210 mm
Operating mode 2 ms	450 mm
Operating mode 8 ms	800 mm
Note	Sensing ranges related to fiber-optic sensors with type of light: visible red light

Sensing ranges with GLL170

Operating mode 250 µs	50 mm
------------------------------	-------

Sensing ranges with GLL170T

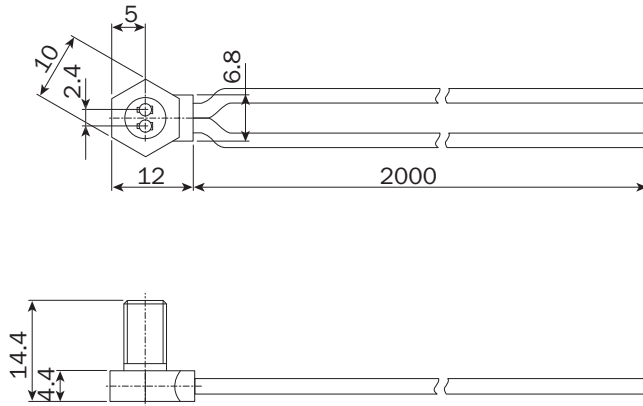
Operating mode 50 µs	70 mm
-----------------------------	-------

Operating mode 250 μ s

120 mm



Dimensional drawing (Dimensions in mm (inch))

LL3-DV05, LL3-DV06, LL3-DV07



Recommended accessories

Other models and accessories → www.sick.com/Fiber-optic_cables

	Brief description	Type	Part no.
Others			
	<ul style="list-style-type: none"> Product family: Protective housing Description: Metal protection hose for LL3-Fibers with M6 threaded head; length 1000 mm Items supplied: 1 pieces 	BEF-LL3M61000	5331291
	<ul style="list-style-type: none"> Product family: Protective housing Description: Metal protection hose for LL3-Fibers with M6 threaded head; length 500 mm Items supplied: 1 pieces 	BEF-LL3M6500	5331290

SICK AT A GLANCE

SICK is one of the leading manufacturers of intelligent sensors and sensor solutions for industrial applications. A unique range of products and services creates the perfect basis for controlling processes securely and efficiently, protecting individuals from accidents and preventing damage to the environment.

We have extensive experience in a wide range of industries and understand their processes and requirements. With intelligent sensors, we can deliver exactly what our customers need. In application centers in Europe, Asia and North America, system solutions are tested and optimized in accordance with customer specifications. All this makes us a reliable supplier and development partner.

Comprehensive services complete our offering: SICK LifeTime Services provide support throughout the machine life cycle and ensure safety and productivity.

For us, that is “Sensor Intelligence.”

WORLDWIDE PRESENCE:

Contacts and other locations –www.sick.com