

PGT-13-S

SICK
Sensor Intelligence.



Ordering information

Type	Part no.
PGT-13-S	1113462

Other models and accessories → www.sick.com/

Detailed technical data

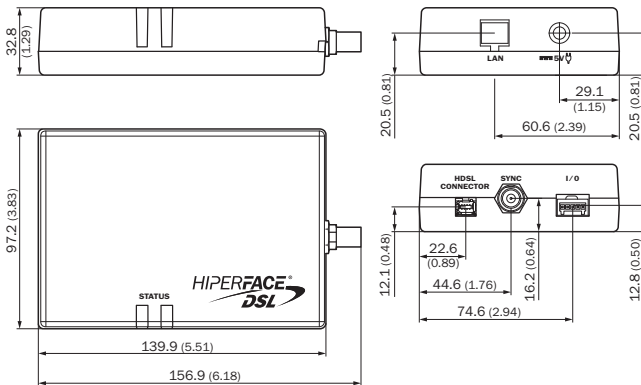
Technical specifications

Accessory group	Programming and configuration tools
Description	Programming tool for motor feedback systems with the HIPERFACE DSL® communication interface
Suitable for	EDS/EDM35, EES/EEM37, EKS/EKM36, EFS/EFM50, ETL70, sHub®
Items supplied	1x programming tool PGT-13-S, 1x power supply unit 100-240 V AC / 5 V DC, primary adapter (Europe), Ethernet cable 3 m, connecting cable for motor feedback system
Dimensions (W x H x L)	97.2 mm x 32.8 mm x 139.4 mm

Classifications

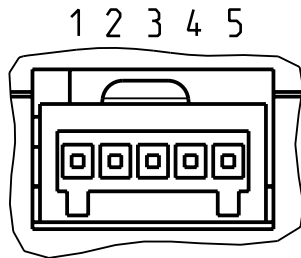
UNSPSC 16.0901	32151707
-----------------------	----------

Dimensional drawing (Dimensions in mm (inch))



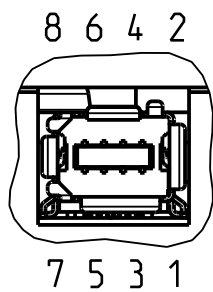
PIN assignment

PORT I/O



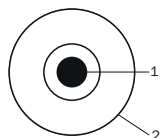
PIN	Signal	Description
1	Input	Event input
2	Input	Event input
3	Output	Event output
4	Output	Event output
5	GND	Ground

HIPERFACE DSL® IN/OUT



PIN	Signal	Description
1	N.c.	Not connected
2	U _S /DSL+	12 V supply / HIPERFACE DSL® data to slave
3	GND/DSL-	Ground / HIPERFACE DSL® data to slave
4	N.c.	Not connected
5	N.c.	Not connected
6	DSL+	HIPERFACE DSL® data to master
7	DSL-	HIPERFACE DSL® data to master
8	N.c.	Not connected

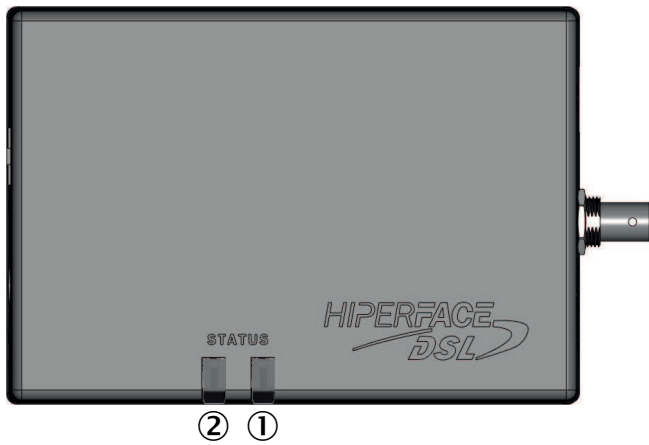
SYNC input



PIN	Signal	Description
1	SYNC	External synchronization signal
2	GND	Ground to external synchronization signal

Instruction for installation

Display LED



No meaning in Emulator mode, continuously lights up red.

LED	Description
1	LED indicator green: Device is ready for operation LED indicator red: General error – restart required
2	LED indicator blue: Connection to the encoder exists LED indicator purple: Connection to the encoder exists, but is faulty LED indicator red: No connection to the encoder

SICK AT A GLANCE

SICK is one of the leading manufacturers of intelligent sensors and sensor solutions for industrial applications. A unique range of products and services creates the perfect basis for controlling processes securely and efficiently, protecting individuals from accidents and preventing damage to the environment.

We have extensive experience in a wide range of industries and understand their processes and requirements. With intelligent sensors, we can deliver exactly what our customers need. In application centers in Europe, Asia and North America, system solutions are tested and optimized in accordance with customer specifications. All this makes us a reliable supplier and development partner.

Comprehensive services complete our offering: SICK LifeTime Services provide support throughout the machine life cycle and ensure safety and productivity.

For us, that is “Sensor Intelligence.”

WORLDWIDE PRESENCE:

Contacts and other locations –www.sick.com