



## FLA-YCON00002

Flexi Loop

SAFE SERIES CONNECTION / SAFETY CONTROLLERS

**SICK**  
Sensor Intelligence.



### Ordering information

Type	Part no.
FLA-YCON00002	2074734

Other models and accessories → [www.sick.com/Flexi\\_Loop](http://www.sick.com/Flexi_Loop)



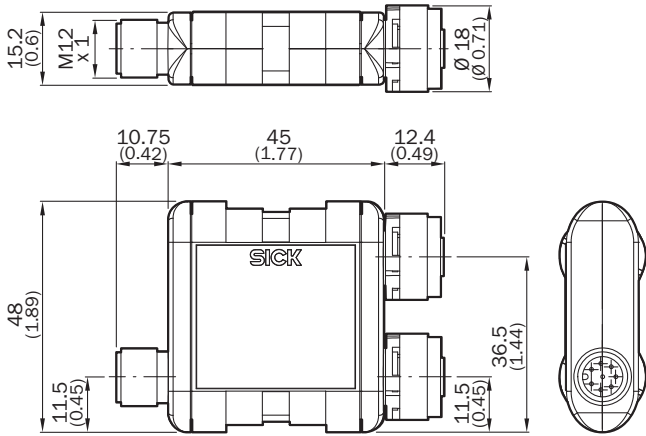
### Detailed technical data

#### Classifications

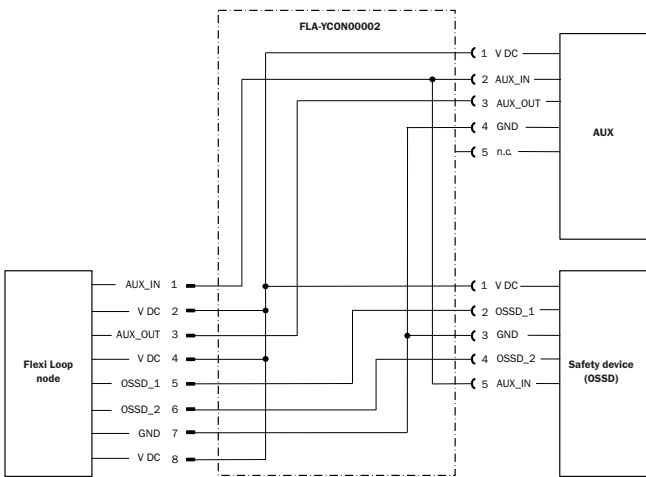
<b>eCl@ss 5.0</b>	27371990
<b>eCl@ss 5.1.4</b>	27371990
<b>eCl@ss 6.0</b>	27371819
<b>eCl@ss 6.2</b>	27371819
<b>eCl@ss 7.0</b>	27371819
<b>eCl@ss 8.0</b>	27371819
<b>eCl@ss 8.1</b>	27371819
<b>eCl@ss 9.0</b>	27371819
<b>eCl@ss 10.0</b>	27371819
<b>eCl@ss 11.0</b>	27371819
<b>eCl@ss 12.0</b>	27371819
<b>ETIM 5.0</b>	EC001449
<b>ETIM 6.0</b>	EC001449
<b>ETIM 7.0</b>	EC001449
<b>ETIM 8.0</b>	EC001449
<b>UNSPSC 16.0901</b>	41113704

Dimensional drawing (Dimensions in mm (inch))

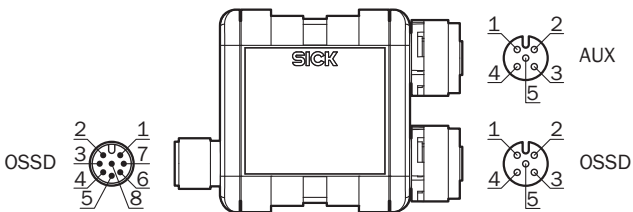
FLA-YCON0001



Connection diagram




PIN assignment



Con- nec- tion	Pin	Sig- nal	Description	Col- or-cod- ed con- nect- ing cable
OSSD	1	AUX_IN	Non-safe input	White
	2	VDC	24 V supply volt- age for safety device	Brown
	3	AUX_OUT	Non-safe output	Green
	4	VDC	24 V supply volt- age for safety device	Yellow
	5	OSSD1	Input OSSD 1	Gray
	6	OSSD2	Input OSSD 2	Pink
	7	GND	GND supply volt- age for safety device	Blue
	8	VDC	24 V supply volt- age for safety device	Red
AUX	1	VDC	24 V supply voltage	
	2	AUX_IN	Non-safe input	
	3	AUX_OUT	Non-safe output	
	4	GND	GND supply voltage	
	5	NC	Not connected	
OSSD	1	VDC	24 V supply volt- age for safety device	Brown
	2	OSSD1	Input OSSD 1	White
	3	GND	GND supply volt- age for safety device	Blue
	4	OSSD2	Input OSSD 2	Black
	5	AUX_IN	Non-safe input	Gray
The colors listed apply when using pre-assembled cables (no guarantee).				

### Recommended accessories

Other models and accessories → [www.sick.com/Flexi\\_Loop](http://www.sick.com/Flexi_Loop)

	Brief description	Type	Part no.
Mounting brackets and plates			
	1 piece, Flexi Loop fixing clip	C-Fix bracket	2068830

## SICK AT A GLANCE

SICK is one of the leading manufacturers of intelligent sensors and sensor solutions for industrial applications. A unique range of products and services creates the perfect basis for controlling processes securely and efficiently, protecting individuals from accidents and preventing damage to the environment.

We have extensive experience in a wide range of industries and understand their processes and requirements. With intelligent sensors, we can deliver exactly what our customers need. In application centers in Europe, Asia and North America, system solutions are tested and optimized in accordance with customer specifications. All this makes us a reliable supplier and development partner.

Comprehensive services complete our offering: SICK LifeTime Services provide support throughout the machine life cycle and ensure safety and productivity.

For us, that is “Sensor Intelligence.”

## WORLDWIDE PRESENCE:

Contacts and other locations –[www.sick.com](http://www.sick.com)