



NAV340-3232

NAV3xx

2D LIDAR SENSORS

SICK
Sensor Intelligence.



Ordering information

Type	Part no.
NAV340-3232	1060821

Other models and accessories → www.sick.com/NAV3xx



Detailed technical data

Features

Task	Localizing, navigating and guiding - Localizing Determining position - 2D position determination
Application	Indoor
Light source	905 nm
Laser class	1 (IEC 60825-1:2014, EN 60825-1:2014)
Aperture angle	Horizontal 360°
Scanning frequency	8 Hz, ± 5 %
Angular resolution	0.25°
Working range	0.5 m ... 250 m (0.5 m ... 70 m on reflectors)
Scanning range	At 10% remission factor 35 m At 90% remission factor 100 m

Mechanics/electronics

Connection type	3 x M12 male connector/female connector
Supply voltage	24 V DC, ± 15 %
Power consumption	36 W
Housing material	Aluminum die cast
Housing color	Light blue (RAL 5012)
Enclosure rating	IP65
Protection class	III
Weight	2.4 kg
Dimensions (L x W x H)	115 mm x 120.5 mm x 222 mm
MTBF	86 years

Safety-related parameters

MTTF_D	> 100 years
-------------------------	-------------

Performance

Detectable object shape	Almost any
Systematic error	± 10 mm (RDI) ¹⁾ ± 15 mm (Contour) ¹⁾
Statistical error	15 mm (Contour) ¹⁾

¹⁾ Typical value; actual value depends on environmental conditions.

Interfaces

Ethernet	✓, TCP/IP
Data transmission rate	100 Mbit/s
Serial	✓, RS-232
Data transmission rate	19.2 kBaud ... 115 kBaud
Digital outputs	1 (digital)
Optical indicators	4 LEDs (status displays)

Ambient data

Ambient operating temperature	0 °C ... +50 °C
Storage temperature	-20 °C ... +80 °C
Permissible relative humidity	85 %, Non-condensing
Reflector marks (recommended)	Stripes: width ≥ 80 mm, cylindrical: diameter ≥ 80 mm

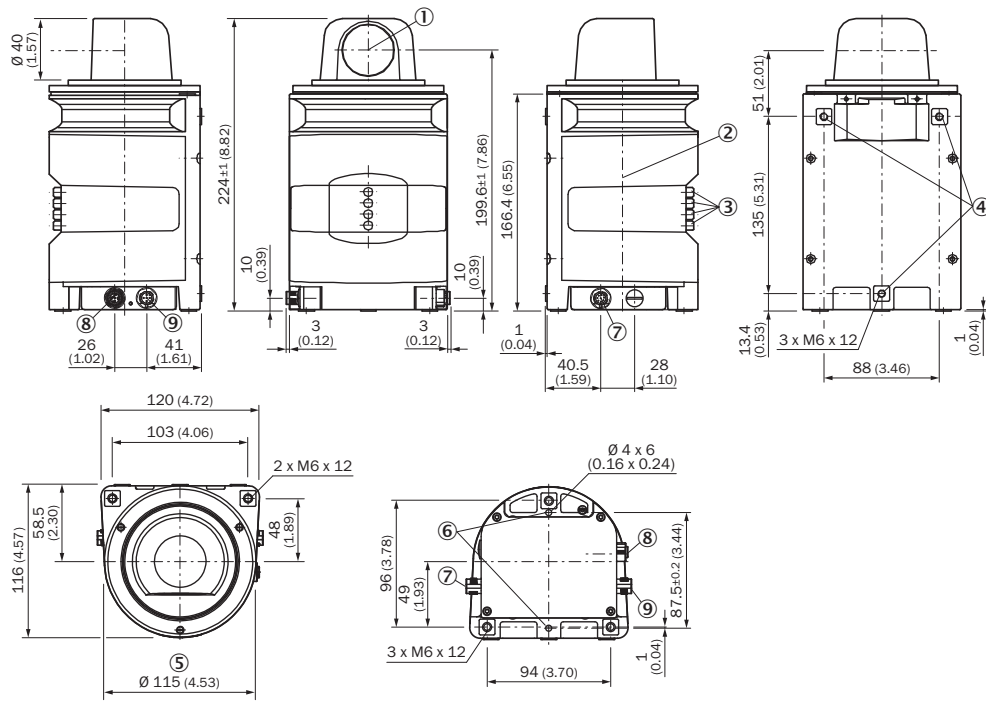
General notes

Note on use	The sensor does not constitute a safety component as defined by relevant legislation on machine safety.
--------------------	---------------------------------------------------------------------------------------------------------

Classifications

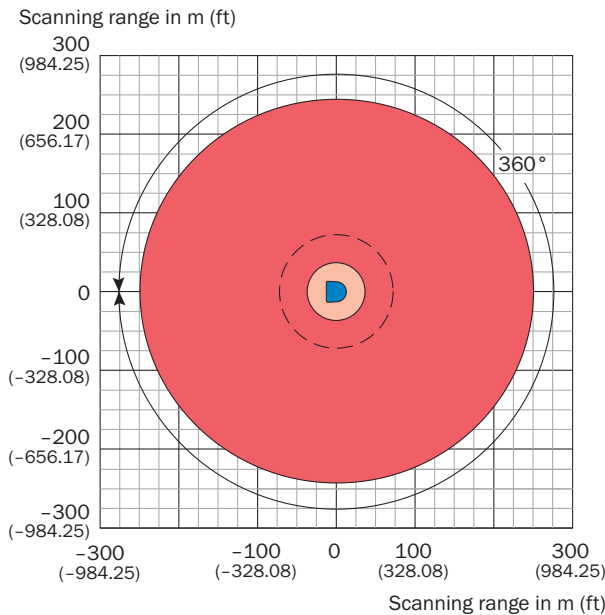
ECLASS 5.0	27270990
ECLASS 5.1.4	27270990
ECLASS 6.0	27270913
ECLASS 6.2	27270913
ECLASS 7.0	27270913
ECLASS 8.0	27270913
ECLASS 8.1	27270913
ECLASS 9.0	27270913
ECLASS 10.0	27270913
ECLASS 11.0	27270913
ECLASS 12.0	27270913
ETIM 5.0	EC002550
ETIM 6.0	EC002550
ETIM 7.0	EC002550
ETIM 8.0	EC002550
UNSPSC 16.0901	41111615

Dimensional drawing (Dimensions in mm (inch))



- ① Optical axis
- ② Zero level
- ③ LED (from top: yellow, yellow, green, red)
- ④ Mounting hole M6 x 12
- ⑤ Rotating diameter
- ⑥ Aligning pin
- ⑦ RS-232 connection (M12 x 8, male connector)
- ⑧ Ethernet connection (M12 x 4, female connector)
- ⑨ Power supply connection (M12 x 5, male connector)




Working range diagram




- Scanning range max. 250 m (820.21 ft)
- Scanning range for objects up to 10 % remission 35 m (114.83 ft)
- Scanning range on reflector 70 m (229.66 ft)

Recommended accessories

Other models and accessories → www.sick.com/NAV3xx

	Brief description	Type	Part no.
Reflectors			
	Reflective tape "Diamond Grade", self-adhesive, sheet, 749 mm x 914 mm, self-adhesive	REF-DG	5320565
Others			
	<ul style="list-style-type: none"> • Connection type head A: Female connector, M12, 5-pin, straight • Connection type head B: Flying leads • Signal type: Sensor/actuator cable • Cable: 5 m, 5-wire, PUR, halogen-free • Description: Sensor/actuator cable, shielded • Connection systems: Flying leads • Application: Zones with oils and lubricants, Drag chain operation 	DOL-1205-G05MAC25	6043440
	<ul style="list-style-type: none"> • Connection type head A: Male connector, M12, 4-pin, straight, D-coded • Connection type head B: Male connector, RJ45, 4-pin, straight • Signal type: Ethernet, PROFINET • Cable: 5 m, 4-wire, PUR, halogen-free • Description: Ethernet, PROFINET, shielded • Application: Drag chain operation, Zones with oils and lubricants 	YM2D24-050PN1MRJA4	2106184

	Brief description	Type	Part no.
	<ul style="list-style-type: none"> • Connection type head A: Female connector, M12, 8-pin, straight, A-coded • Connection type head B: Flying leads • Signal type: Sensor/actuator cable • Cable: 5 m, 8-wire, PUR, halogen-free • Description: Sensor/actuator cable, shielded • Application: Zones with oils and lubricants, Drag chain operation 	YF2A28-050UA6XLEAX	2095835

Recommended services

Additional services → www.sick.com/NAV3xx

	Type	Part no.
Commissioning		
<ul style="list-style-type: none"> • Product area: 2D LiDAR sensors, 3D LiDAR sensors • Range of services: Inspection of connection, fine adjustment, configuration of monitored areas, configuration and optimization of parameters as well as tests, Setup of previously defined functions of basic settings, parameters of field application, filters for raw data output and product-specific configuration • Duration: Additional work will be invoiced separately 	Commissioning LiDAR sensors	1680672
Maintenance		
<ul style="list-style-type: none"> • Product area: 2D LiDAR sensors, 3D LiDAR sensors • Range of services: Inspection, analysis and restoring of defined functions, Inspection and adaptation of basic settings, parameters of field application, filters for raw data output, and product-specific configuration • Duration: Additional work will be invoiced separately 	Maintenance of LiDAR sensors	1682593
Extended warranty		
<ul style="list-style-type: none"> • Product area: Machine vision, LiDAR sensors, safety camera sensors, Safety laser scanners, Safety radar sensors, Radar sensors, Fixed mount barcode scanners, Image-based code readers, RFID, Mobile handheld scanners • Range of services: The services correspond to the scope of the statutory manufacturer warranty (SICK general terms of delivery). • Duration: Five-year warranty from delivery date. 	Extended warranty for a total of five years from delivery date	1680671

SICK AT A GLANCE

SICK is one of the leading manufacturers of intelligent sensors and sensor solutions for industrial applications. A unique range of products and services creates the perfect basis for controlling processes securely and efficiently, protecting individuals from accidents and preventing damage to the environment.

We have extensive experience in a wide range of industries and understand their processes and requirements. With intelligent sensors, we can deliver exactly what our customers need. In application centers in Europe, Asia and North America, system solutions are tested and optimized in accordance with customer specifications. All this makes us a reliable supplier and development partner.

Comprehensive services complete our offering: SICK LifeTime Services provide support throughout the machine life cycle and ensure safety and productivity.

For us, that is “Sensor Intelligence.”

WORLDWIDE PRESENCE:

Contacts and other locations –www.sick.com