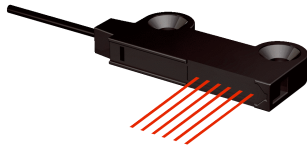


LL3-TZ09

Fiber-optic cables

FIBERS

SICK
Sensor Intelligence.



Ordering information

Type	Part no.
LL3-TZ09	5326598

Included in delivery: BF-WLL160-13 (1), FC (1)

Other models and accessories → www.sick.com/Fiber-optic_cables

Detailed technical data

Features

Device type	Fiber-optic cables
Functional principle	Through-beam system
Fiber-optic head design	Flat type, 90° deflection, Array
Application	High flexible (static), Area detection
Special features	Long fiber optic cable cell
Compatible fiber-optic amplifiers	WLL80, WLL180, GLL170(T)
Sensing range max.	3,600 mm (Sensing range of WLL80 at 8 ms)
Minimal object diameter	0.25 mm ¹⁾
Optical fiber head	
Angle of dispersion	17.62°
Integrated lens	Yes
Compatibility tip adapters	No
Optical fiber	
Compatibility with infrared light	No
Optical fiber cable can be shortened	✓
Adapter end sleeves required	Yes
Included with delivery	Adapter sleeves, BF-WLL160-13 (1.3 mm) adapter sleeves, FC fiber cutter (5304141), 2 x 2 mask

¹⁾ Minimum detectable object was determined at optimum measuring distance and optimum setting.

Mechanics

Optical fiber head	
Light emission	Radial
Optical fiber head array width	11 mm
Optical fiber	
Fiber length	2,000 mm
Bending radius	1 mm
Dynamic flexibility (robotics)	No
Outside diameter, optical fiber cable connection	1.3 mm
Fiber arrangement	Multi-fiber
Core structure	16 x Ø 0,265 mm Multi-fiber
Material	

Optical fiber head	Polyamid (PA)
Sheath	Polyethylen (PE)
Fibers	Polymethylmethacrylat (PMMA)
Weight	42 g

Ambient data

Ambient operating temperature	-40 °C ... +55 °C
--------------------------------------	-------------------

Classifications

ECLASS 5.0	27270905
ECLASS 5.1.4	27270905
ECLASS 6.0	27270905
ECLASS 6.2	27270905
ECLASS 7.0	27270905
ECLASS 8.0	27270905
ECLASS 8.1	27270905
ECLASS 9.0	27270905
ECLASS 10.0	27270905
ECLASS 11.0	27270905
ECLASS 12.0	27270905
ETIM 5.0	EC002651
ETIM 6.0	EC002651
ETIM 7.0	EC002651
ETIM 8.0	EC002651
UNSPSC 16.0901	39121528

Sensing ranges with WLL80

Operating mode 16 µs	2,305 mm
Operating mode 70 µs	3,600 mm
Operating mode 250 µs	3,600 mm
Operating mode 500 µs	3,600 mm
Operating mode 1 ms	3,600 mm
Operating mode 2 ms	3,600 mm
Operating mode 8 ms	3,600 mm

Sensing ranges with WLL180T

Operating mode 16 µs	1,300 mm
Operating mode 70 µs	2,500 mm
Operating mode 250 µs	3,000 mm
Operating mode 2 ms	4,000 mm
Operating mode 8 ms	4,000 mm
Note	Sensing ranges related to fiber-optic sensors with type of light: visible red light

Sensing ranges with GLL170

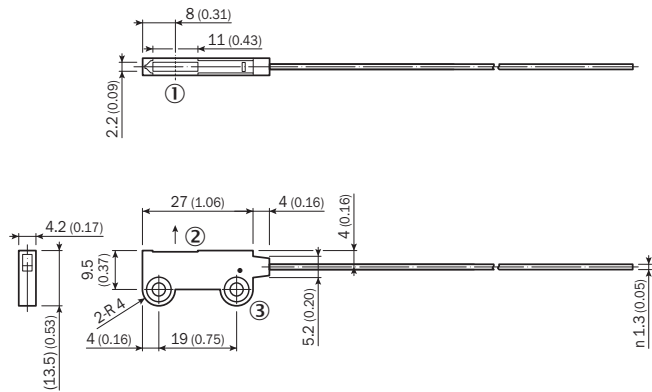
Operating mode 250 µs	2,000 mm
------------------------------	----------

Sensing ranges with GLL170T

Operating mode 50 μs	2,000 mm
Operating mode 250 μs	2,500 mm

Dimensional drawing (Dimensions in mm (inch))

LL3-TZ09



- ① Center position of the detection area
- ② Optical axis
- ③ Mounting hole, \varnothing 3.2 mm

SICK AT A GLANCE

SICK is one of the leading manufacturers of intelligent sensors and sensor solutions for industrial applications. A unique range of products and services creates the perfect basis for controlling processes securely and efficiently, protecting individuals from accidents and preventing damage to the environment.

We have extensive experience in a wide range of industries and understand their processes and requirements. With intelligent sensors, we can deliver exactly what our customers need. In application centers in Europe, Asia and North America, system solutions are tested and optimized in accordance with customer specifications. All this makes us a reliable supplier and development partner.

Comprehensive services complete our offering: SICK LifeTime Services provide support throughout the machine life cycle and ensure safety and productivity.

For us, that is “Sensor Intelligence.”

WORLDWIDE PRESENCE:

Contacts and other locations –www.sick.com