

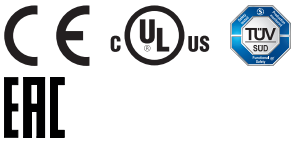




## Ordering information

Type	Part no.
RE27-SA68L	1059509

Other models and accessories → [www.sick.com/RE2](http://www.sick.com/RE2)



## Detailed technical data

### Features

<b>System part</b>	Sensor with actuator
<b>Sensor principle</b>	Magnetic
<b>Number of N/O contacts</b>	2
<b>Number of N/C contacts</b>	0
<b>Number of signaling contacts</b>	1
<b>Safe switch on distance <math>S_{ao}</math></b>	9 mm
<b>Safe switch off distance <math>S_{ar}</math></b>	20 mm
<b>Active sensor surfaces</b>	1
<b>Actuation directions</b>	3

### Safety-related parameters

<b><math>B_{10d}</math> parameter</b>	$2 \times 10^7$ switching cycles (with small load)
<b>Type</b>	Type 4 (EN ISO 14119)
<b>Actuator coding level</b>	Low coding level (EN ISO 14119)
<b>Safe state in the event of a fault</b>	The switch has no internal fault detection and is unable to assume a safe state in the event of a fault. Fault detection is performed by the connected safety-related logic unit.

### Functions

<b>Safe series connection</b>	None, only individual wiring (with diagnostics)
-------------------------------	---

### Interfaces

<b>Connection type</b>	Cable with plug M12, 8-pin
Length of cable	0.2 m
Cable diameter	5.8 mm
Conductor cross section	0.25 mm <sup>2</sup>
Bend radius (with fixed installation)	> 12 x cable diameter
Bend radius (with moving cable)	> 15 x cable diameter
Cable material	PVC
Conductor material	Copper
Coupling nut material	Zinc die-cast, nickel-plated
<b>Display elements</b>	LEDs

Status display	✓
----------------	---

Electrical data

Type of output	Reed contacts
Switching voltage	≤ 30 V DC
Switching current	≤ 100 mA ≤ 10 mA <sup>1)</sup>

<sup>1)</sup> On N/O contact with LED.

Mechanical data

Design	Rectangular
Dimensions (W x H x D)	25 mm x 88 mm x 13 mm
Weight	0.1 kg
Housing material	VISTAL®

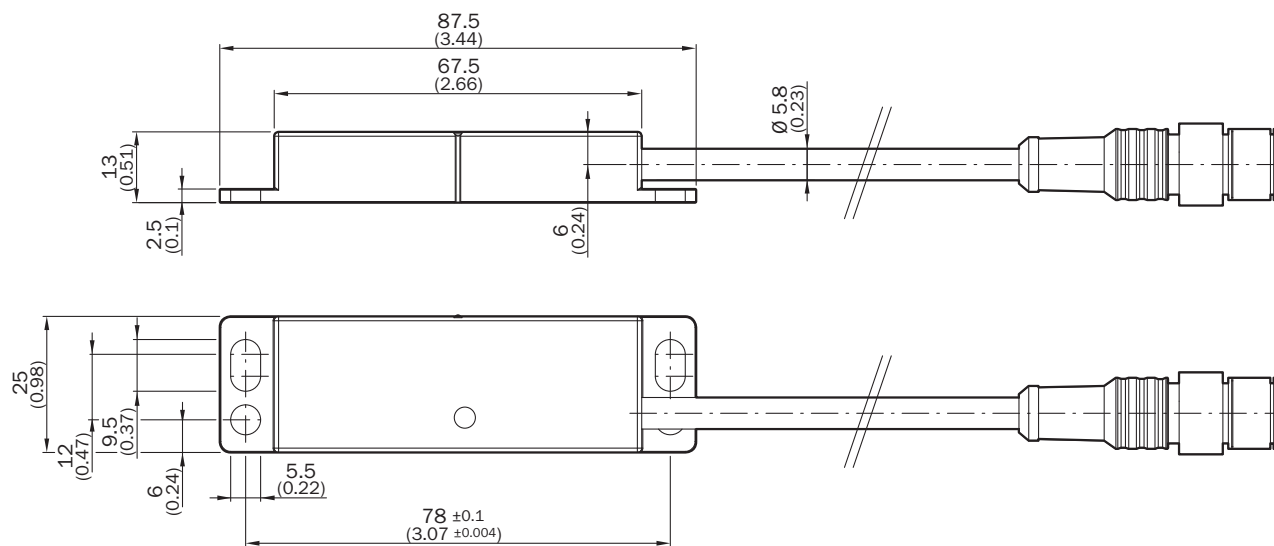
Ambient data

Enclosure rating	IP67 (IEC 60529)
Ambient operating temperature	-30 °C ... +60 °C
Storage temperature	-30 °C ... +60 °C
Vibration resistance	10 Hz ... 55 Hz, 1 mm (EN 60947-5-3)
Shock resistance	30 g, 11 ms (EN 60947-5-3)

Classifications

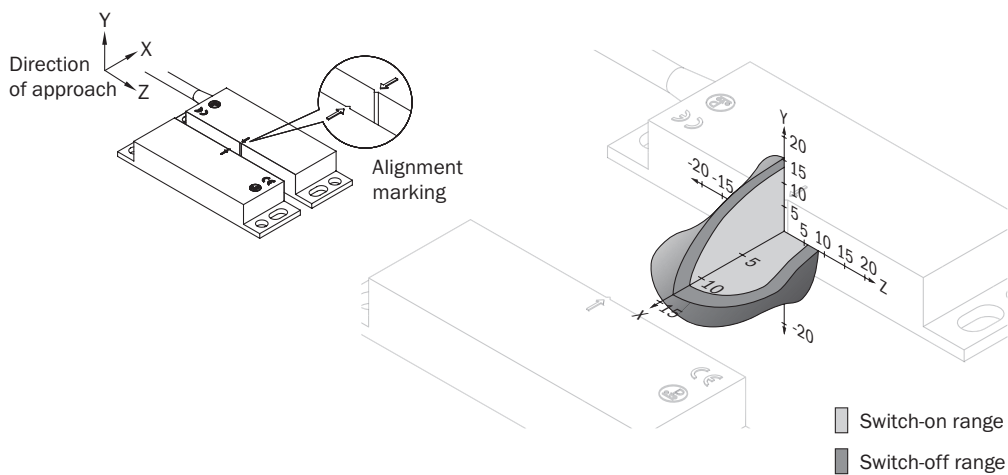
ECLASS 5.0	27272402
ECLASS 5.1.4	27272402
ECLASS 6.0	27272402
ECLASS 6.2	27272402
ECLASS 7.0	27272402
ECLASS 8.0	27272402
ECLASS 8.1	27272402
ECLASS 9.0	27272402
ECLASS 10.0	27272402
ECLASS 11.0	27272402
ECLASS 12.0	27274401
ETIM 5.0	EC002544
ETIM 6.0	EC002544
ETIM 7.0	EC002544
ETIM 8.0	EC002544
UNSPSC 16.0901	39122205

Dimensional drawing (Dimensions in mm (inch))



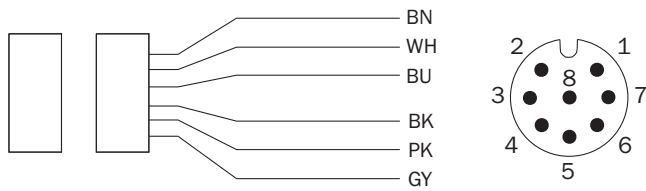
Response range

RE27



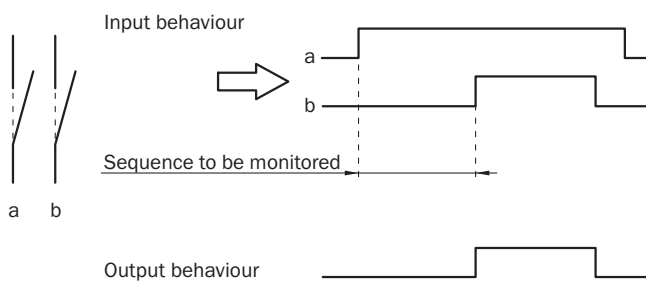
## Pin assignment

RE27-SAxL: sensor connections



7 BN	N/O contact
1 WH	
4 BU	N/O contact
6 BK	
5 PK	N/O contact (AUX) with LED
8 GY	

## Sensor timing



## SICK AT A GLANCE

SICK is one of the leading manufacturers of intelligent sensors and sensor solutions for industrial applications. A unique range of products and services creates the perfect basis for controlling processes securely and efficiently, protecting individuals from accidents and preventing damage to the environment.

We have extensive experience in a wide range of industries and understand their processes and requirements. With intelligent sensors, we can deliver exactly what our customers need. In application centers in Europe, Asia and North America, system solutions are tested and optimized in accordance with customer specifications. All this makes us a reliable supplier and development partner.

Comprehensive services complete our offering: SICK LifeTime Services provide support throughout the machine life cycle and ensure safety and productivity.

For us, that is “Sensor Intelligence.”

## WORLDWIDE PRESENCE:

Contacts and other locations –[www.sick.com](http://www.sick.com)