



V2D621G-2MSXBB5

GLS6

LINE GUIDANCE AND GRID LOCALIZATION

SICK
Sensor Intelligence.



Ordering information

Type	Part no.
V2D621G-2MSXBB5	1101204

Other models and accessories → www.sick.com/GLS6



Detailed technical data

Features

Optical focus	Teach auto focus when teaching-in the working distance using a configuration tool ¹⁾								
Light source	<table border="0"> <tr> <td>Internal lighting</td> <td>LED, Visible, Red, 617 nm, ± 15 nm</td> </tr> <tr> <td>Internal lighting</td> <td>LED, Visible, blue, 470 nm, ± 15 nm</td> </tr> <tr> <td>Feedback spot</td> <td>LED, Visible, green, 525 nm, ± 15 nm</td> </tr> <tr> <td>Adjustment aid</td> <td>Laser, Visible, Red, 630 nm ... 680 nm</td> </tr> </table>	Internal lighting	LED, Visible, Red, 617 nm, ± 15 nm	Internal lighting	LED, Visible, blue, 470 nm, ± 15 nm	Feedback spot	LED, Visible, green, 525 nm, ± 15 nm	Adjustment aid	Laser, Visible, Red, 630 nm ... 680 nm
Internal lighting	LED, Visible, Red, 617 nm, ± 15 nm								
Internal lighting	LED, Visible, blue, 470 nm, ± 15 nm								
Feedback spot	LED, Visible, green, 525 nm, ± 15 nm								
Adjustment aid	Laser, Visible, Red, 630 nm ... 680 nm								
LED class	1 (IEC 62471:2006-07, EN 62471:2008-09)								
Laser class	1, complies with 21 CFR 1040.10 except for the conformance according to "Laser Notice No. 50" from June 24, 2007 (IEC 60825-1:2014, EN 60825-1:2014)								
Reading distance	70 mm ... 500 mm								
Overrun speed	≤ 5 m/s								

¹⁾ SOPAS ET configuration software.

Mechanics/electronics

Connection type	1 x M12, 17-pin male connector 1 x M12, 4-pin Ethernet female connector Circular plug-in connector
Supply voltage	12 V AC ... 24 V DC, ± 20 %
Power consumption	Typ. 4 W
Output current	≤ 100 mA
Housing	Aluminum die cast

¹⁾ Swivel connector is 17.8 mm longer.

Housing color	Light blue (RAL 5012)
Enclosure rating	IP65 (EN 60529, EN 60529/A2)
Protection class	III
Electrical safety	EN 62368
Weight	170 g
Dimensions (L x W x H)	71 mm x 43 mm x 35.6 mm ¹⁾
MTBF	75,000 h

¹⁾ Swivel connector is 17.8 mm longer.

Performance

Readable code structures	2D
2D code types	Data Matrix ECC200, QR code
Code qualification	On the basis of ISO/IEC 16022, ISO/IEC 15415, ISO/IEC 15416, ISO/IEC 18004

Interfaces

Ethernet	✓, TCP/IP
Function	Host, AUX, OPC DA Server, FTP (image transmission)
Data transmission rate	10/100 MBit/s
PROFINET	✓
Function	PROFINET Single Port
Data transmission rate	10/100 MBit/s
EtherNet/IP™	✓
Data transmission rate	10/100 MBit/s
Serial	✓, RS-232, RS-422
Function	Host, AUX
Data transmission rate	0.3 kBaud ... 115.2 kBaud, AUX: 57.6 kBaud (RS-232)
CAN	✓
Function	SICK CAN sensor network CSN (master/slave, multiplexer/server)
Data transmission rate	20 kbit/s ... 1 Mbit/s
CANopen	✓
Data transmission rate	20 kbit/s ... 1 Mbit/s
USB	✓
Remark	USB 2.0 (for parameterization only)
Function	AUX
Digital outputs	4 ("Result 1", "Result 2", 2 outputs via CMC and CDB620/CDM420 or "Result 1", "Result 2", "Result 3", "Result 4" when using the 17-wire cable with open cable end)
Optical indicators	16 LEDs (5 x status display, 10 x LED bar graph, 1 green feedback spot)
Acoustic indicators	Beeper/buzzer (can be switched on, can be assigned a function to signal a result)
Configuration software	SOPAS ET (version 2018.04 or higher)
Memory card	microSD memory card (flash card), optional
Data storage and retrieval	Image and data storage via microSD memory card and external FTP
Maximum encoder frequency	300 Hz
External illumination control	Via digital output (max. 24 V trigger)

Ambient data

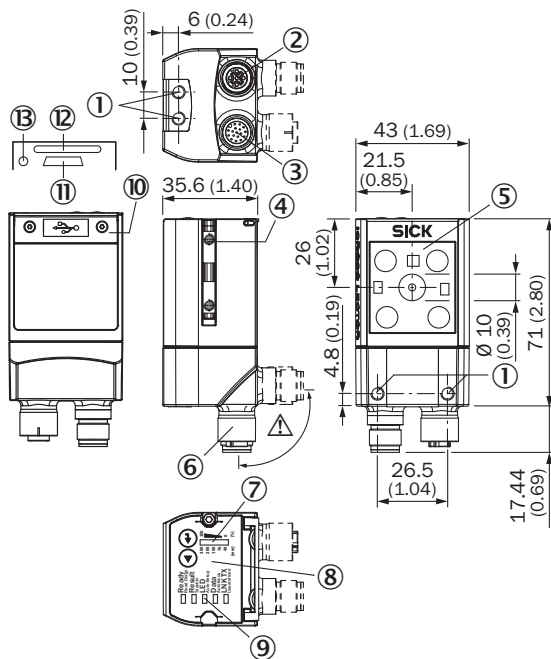
Electromagnetic compatibility (EMC)	EN 61000-6-2:2005-08 / EN 61000-6-4 (2007-01) + A1 (2011)
Vibration resistance	EN 60068-2-6:2008-02
Shock resistance	EN 60068-2-27:2009-05
Ambient operating temperature	0 °C ... +50 °C ¹⁾
Storage temperature	-20 °C ... +70 °C
Permissible relative humidity	90 %, Non-condensing
Ambient light immunity	2,000 lx, on code

¹⁾ For mounting on a metal mounting bracket.

Classifications

ECl@ss 5.0	27280103
ECl@ss 5.1.4	27280103
ECl@ss 6.0	27280103
ECl@ss 6.2	27280103
ECl@ss 7.0	27280103
ECl@ss 8.0	27280103
ECl@ss 8.1	27280103
ECl@ss 9.0	27280103
ECl@ss 10.0	27280103
ECl@ss 11.0	27280103
ETIM 5.0	EC002550
ETIM 6.0	EC002550
ETIM 7.0	EC002999
ETIM 8.0	EC002999
UNSPSC 16.0901	43211701

Dimensional drawing (Dimensions in mm (inch))







Structure and device dimensions, unit: mm (inch), decimal separator: period

- ① M5 blind tapped holes, 5 mm deep (4 x), for mounting the sensor
- ② “Ethernet” connection, 4-pin M12 female connector, D-coded
- ③ “Power/Serial Data/CAN/I/O” connection, 17-pin M12 male connector, A-coded
- ④ Sliding nut M5, 5.5 mm deep (2 x), for mounting (as alternative)
- ⑤ Reading window with internal illumination LEDs (4 x)
- ⑥ Swivel connector unit
- ⑦ Bar graph
- ⑧ Beeper (under housing cover)
- ⑨ LEDs for status display (2 levels), 5 x
- ⑩ Cover (flap)
- ⑪ “USB” connection (female connector, 5-pin, type Micro-B) interface for temporary use (service)
- ⑫ Slot for microSD memory card
- ⑬ LED for microSD memory card

Recommended accessories

Other models and accessories → www.sick.com/GLS6

	Brief description	Type	Part no.
Codes			
	Multi code label with 16 data matrix codes for localizing AGVs, customized alphanumeric code content, self-adhesive	Multi-code label	4105695
Mounting brackets and plates			
	Bracket with adapter board	Mounting bracket	2042902

	Brief description	Type	Part no.
Plug connectors and cables			
	Head A: female connector, M12, 17-pin, straight, A-coded Head B: Flying leads Cable: Power, serial, CAN, digital I/Os, suitable for 2 A, Changed color coding of the flying leads, PE-X, shielded, 2 m	YF2ASD-020XXXXLECX	2081094
	Head A: male connector, M12, 4-pin, straight, D-coded Head B: male connector, RJ45, 4-pin, straight Cable: Ethernet, PROFINET, PUR, halogen-free, shielded, 2 m	YM2D24-020PN1MRJA4	2106182

Recommended services

Additional services → www.sick.com/GLS6

	Type	Part no.
Warranty extensions		
<ul style="list-style-type: none"> • Product area: Identification solutions, machine vision, Distance sensors, Detection and ranging solutions • Range of services: The services correspond to the scope of the statutory manufacturer warranty (SICK general terms and conditions of purchase) • Duration: Five-year warranty from delivery date. 	Extended warranty for a total of five years from delivery date	1680671

SICK AT A GLANCE

SICK is one of the leading manufacturers of intelligent sensors and sensor solutions for industrial applications. A unique range of products and services creates the perfect basis for controlling processes securely and efficiently, protecting individuals from accidents and preventing damage to the environment.

We have extensive experience in a wide range of industries and understand their processes and requirements. With intelligent sensors, we can deliver exactly what our customers need. In application centers in Europe, Asia and North America, system solutions are tested and optimized in accordance with customer specifications. All this makes us a reliable supplier and development partner.

Comprehensive services complete our offering: SICK LifeTime Services provide support throughout the machine life cycle and ensure safety and productivity.

For us, that is “Sensor Intelligence.”

WORLDWIDE PRESENCE:

Contacts and other locations –www.sick.com