



RAS-1200

RAS Prime

OBJECT DETECTION SYSTEMS

SICK
Sensor Intelligence.



Ordering information

| Applications | Items supplied | Type | Part no. |
|--|--|-----------|----------|
| Collision protection for reach stackers and empty container handlers for container handling in ports | LMS151-10100S03 LMS151-10100S04 Operator display Mounting set for operator display Ethernet switch Buzzer USB stick with operating instructions Power supply connecting cable for LMS1xx (2 x) Ethernet connection cable for LMS1xx (2 x) Ethernet connection cable for display Connecting cables for operator display | RAS Prime | 1057936 |

Other models and accessories → www.sick.com/RAS_Prime



Detailed technical data

Features

| | |
|-----------------------------|--|
| Number of sensors | 2 |
| Areas of application | Port |
| Vehicles | Reach stackers, empty container handlers |
| Laser class | 1 (IEC 60825-1:2014) |

Mechanics/electronics

| | |
|---------------------------------------|---|
| Dimensions display (W x D x H) | 142 mm x 44 mm x 98 mm (with mounting 130 mm depth) |
| Supply voltage | 24 V DC (19.2 V DC ... 28.8 V DC) |
| Power consumption | 40 W (≤ 165 W), With heating |
| Machine operating voltage | 19.2 V DC ... 28.8 V DC, 24 V DC |

Performance

| | |
|--------------------------------|---|
| Display | 4.3" touch display |
| Functions | Audible and visual collision warning Maneuvering assist with active guidance |
| Number of laserscanners | 2 |
| Monitored area | Rear end, rear side left, rear side right |
| Warning zones | 3 |
| GPS | - |
| Self-diagnostics | ✓ |
| WebInterface | Software updates |

Interfaces

| | |
|---------------------------|------------------|
| Ethernet | ✓ |
| Function | Software updates |
| Operator interface | Touch display |

Ambient data

| | |
|--------------------------------------|-------------------|
| Ambient operating temperature | -25 °C ... +50 °C |
| Ambient temperature, storage | -25 °C ... +60 °C |

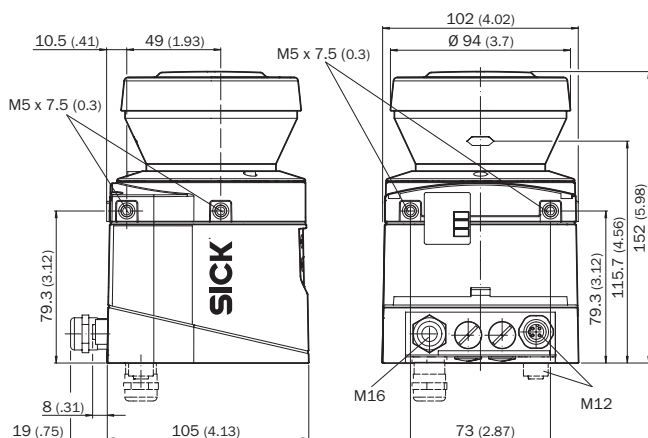
General notes

| | |
|-----------------------|--|
| Items supplied | LMS151-10100S03 LMS151-10100S04 Operator display Mounting set for operator display Ethernet switch Buzzer USB stick with operating instructions Power supply connecting cable for LMS1xx (2 x) Ethernet connection cable for LMS1xx (2 x) Ethernet connection cable for display Connecting cables for operator display |
|-----------------------|--|

Classifications




| | |
|-----------------------|----------|
| eCl@ss 5.0 | 27339090 |
| eCl@ss 5.1.4 | 27339090 |
| eCl@ss 6.0 | 27339090 |
| eCl@ss 6.2 | 27339090 |
| eCl@ss 7.0 | 27339090 |
| eCl@ss 8.0 | 27339090 |
| eCl@ss 8.1 | 27339090 |
| eCl@ss 9.0 | 27330190 |
| eCl@ss 10.0 | 27330190 |
| eCl@ss 11.0 | 27330190 |
| UNSPSC 16.0901 | 25172105 |

Dimensional drawing (Dimensions in mm (inch))



Recommended accessories

Other models and accessories → www.sick.com/RAS_Prime

| | Brief description | Type | Part no. |
|---|--|-------------------------------|----------|
| Connection modules | | | |
|  | Connection box for power (sensors, display, sound generator, Ethernet switch) | Connection box | 2070552 |
| Mounting brackets and plates | | | |
|  | Mounting kit with shock mount for LMS1xx | Mounting kit with shock mount | 1053343 |
| Plug connectors and cables | | | |
|  | Head A: male connector, M12, 4-pin, straight, D-coded Head B: male connector, RJ45, 8-pin, straight Cable: Ethernet, twisted pair, PUR, halogen-free, shielded, 10 m | YM2D24-100EA1MRJA4 | 6030928 |
| | DC/DC converter | DC/DC converter | 6044524 |

SICK AT A GLANCE

SICK is one of the leading manufacturers of intelligent sensors and sensor solutions for industrial applications. A unique range of products and services creates the perfect basis for controlling processes securely and efficiently, protecting individuals from accidents and preventing damage to the environment.

We have extensive experience in a wide range of industries and understand their processes and requirements. With intelligent sensors, we can deliver exactly what our customers need. In application centers in Europe, Asia and North America, system solutions are tested and optimized in accordance with customer specifications. All this makes us a reliable supplier and development partner.

Comprehensive services complete our offering: SICK LifeTime Services provide support throughout the machine life cycle and ensure safety and productivity.

For us, that is “Sensor Intelligence.”

WORLDWIDE PRESENCE:

Contacts and other locations –www.sick.com