



Connection cable

Sensor/actuator cable

CONNECTORS AND CABLE ASSEMBLIES

SICK
Sensor Intelligence.



Ordering information

Type	Part no.
Connection cable	2094427

Other models and accessories → www.sick.com/Sensor_actuator_cable

Detailed technical data

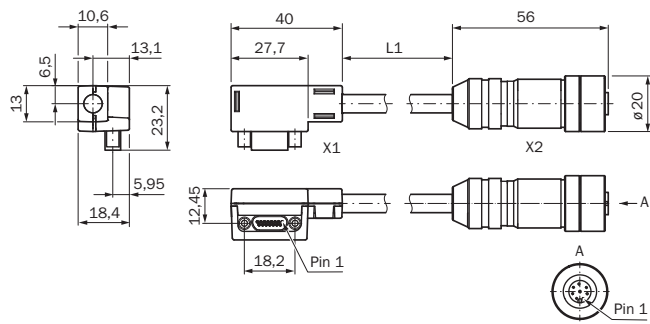
Technical specifications

Connection type head A	Male connector, Micro D-Sub, 15-pin, angled
Connection type head B	Female connector, M12, 8-pin, straight, A-coded
Cable	5 m
Shielding	Shielded
Reference voltage	300 V AC
Description	For connecting the Motion Control Module FX3-MOC with one HTL, TTL, or sin/cos encoder (e.g., DFS60S Pro)

Classifications

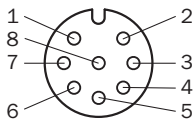
ECLASS 5.0	19030312
ECLASS 5.1.4	19030312
ECLASS 6.0	27060304
ECLASS 6.2	27060304
ECLASS 7.0	27060304
ECLASS 8.0	27060304
ECLASS 8.1	27060304
ECLASS 9.0	27060304
ECLASS 10.0	27060304
ECLASS 11.0	27060304
ECLASS 12.0	27060304
ETIM 5.0	EC000830
ETIM 6.0	EC000830
ETIM 7.0	EC003249
ETIM 8.0	EC003249
UNSPSC 16.0901	26121604

Dimensional drawing (Dimensions in mm (inch))



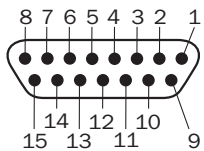
PIN assignment

X2 = Connection type of head B = Socket, M12, 8-pin, straight, A-coded



X1		X2						
Male connector, Micro D-Sub, 15-pin		Female connector M12, 8-pin, A-coded						
FX3-MOC		Encoder	Sin/cos encoder		A/B incremental encoder			
Pin	Designation	Pin	Sin/Cos	HIPERFACE®	2 output pairs (HTL 24 V, HTL 12 V, TTL)	2 outputs (HTL 24 V, HTL 12 V, TTL)	2 output pairs (RS-422)	
1	ENC1_A+	2	Cos+	Cos	A+	A	A+	
2	ENC1_B+	4	Sin+	Sin	B+	B	-	
3	ENC1_C+	6	Z+	-	-	-	B+	
4	ENC1_24V	8	24 V supply voltage					
9	ENC1_A-	1	Cos-	Cos_Ref	A-	GND	A-	
10	ENC1_B-	3	Sin-	Sin_Ref	B-	GND	-	
11	ENC1_C-	5	Z-	-	-	-	B-	
12	ENC_OV	7	GND supply voltage					

X1: Plug, Micro D-Sub, 15-pin, angled



X1		X2						
Male connector, Micro D-Sub, 15-pin		Female connector M12, 8-pin, A-coded						
FX3-MOC		Encoder	Sin/cos encoder		A/B incremental encoder			
Pin	Designation	Pin	Sin/Cos	HIPERFACE®	2 output pairs (HTL 24 V, HTL 12 V, TTL)	2 outputs (HTL 24 V, HTL 12 V, TTL)	2 output pairs (RS-422)	
1	ENC1_A+	2	Cos+	Cos	A+	A	A+	
2	ENC1_B+	4	Sin+	Sin	B+	B	-	
3	ENC1_C+	6	Z+	-	-	-	B+	
4	ENC1_24V	8	24 V supply voltage					
9	ENC1_A-	1	Cos-	Cos_Ref	A-	GND	A-	
10	ENC1_B-	3	Sin-	Sin_Ref	B-	GND	-	
11	ENC1_C-	5	Z-	-	-	-	B-	
12	ENC_OV	7	GND supply voltage					

Connection cable | Sensor/actuator cable

CONNECTORS AND CABLE ASSEMBLIES

X1			X2				
1	ENC1_A+	2	Cos+	Cos	A+	A	A+
2	ENC1_B+	4	Sin+	Sin	B+	B	-
3	ENC1_C+	6	Z+	-	-	-	B+
4	ENC1_24V	8	24 V supply voltage				
9	ENC1_A-	1	Cos-	Cos_Ref	A-	GND	A-
10	ENC1_B-	3	Sin-	Sin_Ref	B-	GND	-
11	ENC1_C-	5	Z-	-	-	-	B-
12	ENC_OV	7	GND supply voltage				

SICK AT A GLANCE

SICK is one of the leading manufacturers of intelligent sensors and sensor solutions for industrial applications. A unique range of products and services creates the perfect basis for controlling processes securely and efficiently, protecting individuals from accidents and preventing damage to the environment.

We have extensive experience in a wide range of industries and understand their processes and requirements. With intelligent sensors, we can deliver exactly what our customers need. In application centers in Europe, Asia and North America, system solutions are tested and optimized in accordance with customer specifications. All this makes us a reliable supplier and development partner.

Comprehensive services complete our offering: SICK LifeTime Services provide support throughout the machine life cycle and ensure safety and productivity.

For us, that is “Sensor Intelligence.”

WORLDWIDE PRESENCE:

Contacts and other locations –www.sick.com