



TDC-M100

Telematic Data Collector

SICK
Sensor Intelligence.



Ordering information

Description	Network coverage	Tasks	Items supplied	Type	Part no.
The gateway networks sensors, machines and IIoT platforms for collecting and pre-processing local sensor and process data.	Worldwide	Condition monitoring, stock monitoring, user-defined real-time alarms	TDC-M100 and mobile communication (EU 27+2 unlimited flow of data) including TDC configuration software and operating instructions	TDC-M100	6065413

Other models and accessories → www.sick.com/Telematic_Data_Collector



Detailed technical data

Features

Product category	Gateway and cloud solutions
Tasks	Condition monitoring Stock monitoring User-defined real-time alarms
Integrated SIM card	✓
Alarm output	Push message

Mechanics/electronics

Supply voltage	12 V DC (8 V DC ... 35 V DC)
Power consumption	0.78 W
Housing dimensions (W x D x H)	118 mm x 23 mm x 115 mm
Weight	180 g
Housing material	Polyamid (UL 94 V-2)
Housing color	Gray
Fixing	In vehicle or control cabinet (DIN rail 35 mm x 7.5 mm according to EN 60715)
Enclosure rating	IP20 (according to DIN EN 60529)

Performance

Sensor	Acceleration sensor, Magnetometer, Thermometers
Internal computer	180 MHz ARM Cortex-M4
Internal memory	32 MB, 256 kB SRAM
Operating system	FreeRTOS
Configuration software	TDC Configurator
Data protocol	MQTT

¹⁾ Belgium, United Kingdom, Czech Republic, Denmark, Estonia, Finland, France, Germany, Greece, Hungary, Ireland, Italy, Latvia, Lithuania, Luxembourg, Malta, Netherlands, Norway, Poland, Portugal, Romania, Slovak Republic, Spain, Sweden, Switzerland, Cyprus.

Connectivity	Mobile communication (2G), FLAT, EU 27 + 2 ¹⁾
Mobile network	GSM, GPRS quad band
Region of use	Worldwide

¹⁾ Belgium, United Kingdom, Czech Republic, Denmark, Estonia, Finland, France, Germany, Greece, Hungary, Ireland, Italy, Latvia, Lithuania, Luxembourg, Malta, Netherlands, Norway, Poland, Portugal, Romania, Slovak Republic, Spain, Sweden, Switzerland, Cyprus.

Interfaces

Modem	✓, 2 G
Protocol	GSM/GPRS quad-band 850/900/1800/1900 MHz
Serial	✓, RS-485, RS-232 (Diagnose)
Electrical connection	Screw terminals up to 2.5 mm ²
CAN bus	✓ (2)
Function	Data output
Data transmission rate	1 Mbit/s, adjustable
Protocol	J1939, CANOpen
Electrical connection	Screw terminals up to 2.5 mm ²
Inputs/outputs	I/O 6 analog inputs (configurable, current and voltage), 6 digital outputs (configurable)
Optical indicators	2, LED, status displays 1, Display, status displays
Configuration interface	RS-232 (DIAG)

Ambient data

Ambient temperature, operation	-20 °C ... +55 °C
Ambient temperature, storage	-30 °C ... +75 °C
Electromagnetic compatibility (EMC)	EN 301489-17 V2.2.1 (2012) EN 301489-3 V1.6.1 (2013) EN 301489-7 V1.3.1 (2015) EN 301489-1 V1.9.2 (2011) EN 301489-1 V2.1.1 (2017) EN 301489-52 V1.1.0 (2016) EN 61000-6-2 (2005) EN 61000-6-3 (2007) + A1 (2011)
Radio approval	EN 301511 V12.5.1 (2017)

General notes

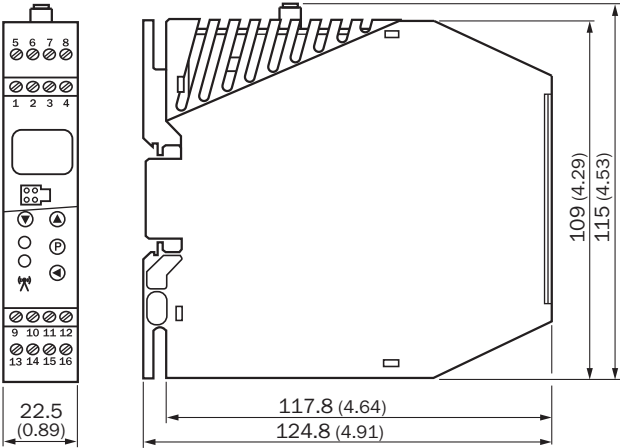
Description	The gateway networks sensors, machines and IIoT platforms for collecting and preprocessing local sensor and process data.
Items supplied	TDC-M100 and mobile communication (EU 27+2 unlimited flow of data) including TDC configuration software and operating instructions

Classifications

ECLASS 5.0	19179090
ECLASS 5.1.4	19179090
ECLASS 6.0	19179090
ECLASS 6.2	19179090
ECLASS 7.0	19179090
ECLASS 8.0	19179090
ECLASS 8.1	19179090

ECLASS 9.0	19179090
ECLASS 10.0	19179090
ECLASS 11.0	19179090
ECLASS 12.0	19179090
UNSPSC 16.0901	43222605

Dimensional drawing (Dimensions in mm (inch))



SICK AT A GLANCE

SICK is one of the leading manufacturers of intelligent sensors and sensor solutions for industrial applications. A unique range of products and services creates the perfect basis for controlling processes securely and efficiently, protecting individuals from accidents and preventing damage to the environment.

We have extensive experience in a wide range of industries and understand their processes and requirements. With intelligent sensors, we can deliver exactly what our customers need. In application centers in Europe, Asia and North America, system solutions are tested and optimized in accordance with customer specifications. All this makes us a reliable supplier and development partner.

Comprehensive services complete our offering: SICK LifeTime Services provide support throughout the machine life cycle and ensure safety and productivity.

For us, that is “Sensor Intelligence.”

WORLDWIDE PRESENCE:

Contacts and other locations –www.sick.com