



PL560DG-H

SICK
Sensor Intelligence.



Ordering information

Type	Part no.
PL560DG-H	1023888

Other models and accessories → www.sick.com/

Detailed technical data

Technical specifications

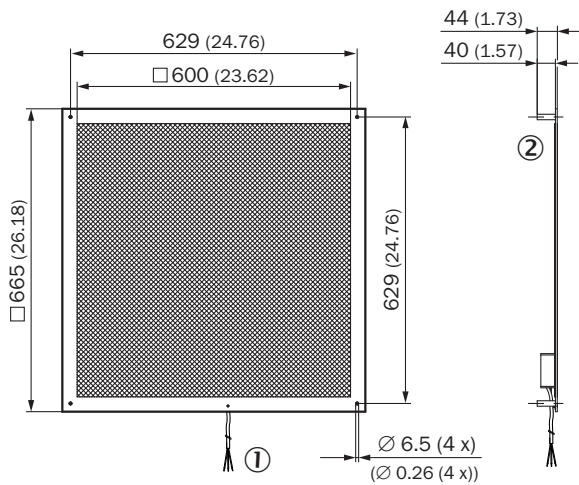
Accessory group	Reflectors
Accessory family	Angular
Description	Reflector plate, "Diamond Grade" reflective tape, baseplate: 665 mm x 665 mm, heated, external fuse protection: 6 A (provided by customer)
Mounting system type	Screw-on, 4 hole mounting
Ambient operating temperature	-40 °C ... +55 °C
Storage temperature	-40 °C ... +55 °C
Dimensions	605 mm x 605 mm
Material	Base plate: Aluminum (anodised)
Supply voltage	90 V AC ... 280 V AC
Power consumption	900 W
Connections	2 m silicone cable, 3 x 0.75 mm ² , flexible cable, open end with ferrules, minimum bend radius: 51 mm at room temperature
Enclosure rating	IPx4 (EN 60529)
Weight	7.32 kg

Classifications

ECLASS 5.0	27279203
ECLASS 5.1.4	27279203
ECLASS 6.0	27279203
ECLASS 6.2	27279203
ECLASS 7.0	27279203
ECLASS 8.0	27279203
ECLASS 8.1	27279203
ECLASS 9.0	27273601
ECLASS 10.0	27273601
ECLASS 11.0	27273601
ECLASS 12.0	27273601
ETIM 5.0	EC002467

ETIM 6.0	EC002467
ETIM 7.0	EC002467
ETIM 8.0	EC002467
UNSPSC 16.0901	39111827

Dimensional drawing (Dimensions in mm (inch))



- ① Connection cable
- ② Spacer sleeve (4 pieces)

SICK AT A GLANCE

SICK is one of the leading manufacturers of intelligent sensors and sensor solutions for industrial applications. A unique range of products and services creates the perfect basis for controlling processes securely and efficiently, protecting individuals from accidents and preventing damage to the environment.

We have extensive experience in a wide range of industries and understand their processes and requirements. With intelligent sensors, we can deliver exactly what our customers need. In application centers in Europe, Asia and North America, system solutions are tested and optimized in accordance with customer specifications. All this makes us a reliable supplier and development partner.

Comprehensive services complete our offering: SICK LifeTime Services provide support throughout the machine life cycle and ensure safety and productivity.

For us, that is “Sensor Intelligence.”

WORLDWIDE PRESENCE:

Contacts and other locations –www.sick.com