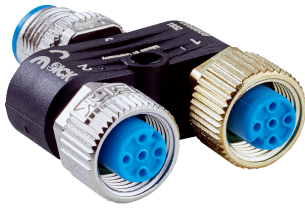


YM2A15-000S01FY2A4

Y- and T-splitters

PLUG CONNECTORS AND CABLES

SICK
Sensor Intelligence.



Ordering information

Type	Part no.
YM2A15-00S01FY2A4	2099600

Other models and accessories → www.sick.com/Y_and_T-splitters



Detailed technical data

Technical specifications

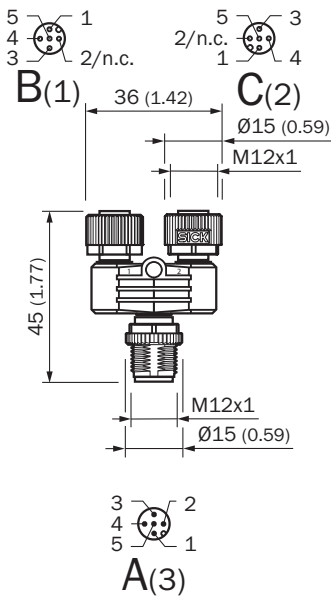
Connection type head A	Male connector, M12, 5-pin, A-coded
Connection type head B	Female connector, M12, 4-pin, A-coded
Connection type head C	Female connector, M12, 4-pin, A-coded
Locking plug connector	Screw connection
Signal type	Sensor/actuator cable
Connector material head A	TPU
Connector material head C	TPU
Material knurled screw head A	Zinc die-cast, nickel-plated
Material knurled screw head B	Zinc die-cast, nickel-plated
Material knurled screw head C	Zinc die-cast, nickel-plated
Width across flats	13
Tightening torque	0.6 Nm
Shielding, head	Unshielded
Rated impulse voltage	1.5 kV
Current loading	≤ 4 A
Insulation resistance	100 MΩ
Contamination rating	3
Overvoltage category	III
Specific insulation resistance	30 mΩ
Enclosure rating	IP65 / IP66K / IP67
Operating temperature	Head -25 °C ... +85 °C
UL File No.	E335179
Authorizations	CE UL

Classifications

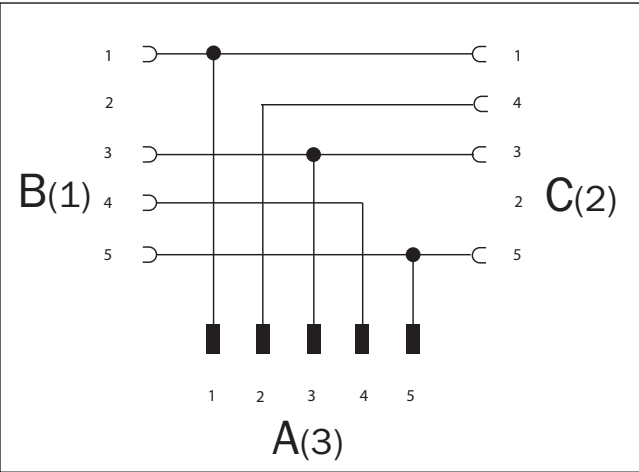
ECLASS 5.0	27279201
ECLASS 5.1.4	27279201
ECLASS 6.0	27279201
ECLASS 6.2	27279201

ECLASS 7.0	27279201
ECLASS 8.0	27279201
ECLASS 8.1	27279201
ECLASS 9.0	27440108
ECLASS 10.0	27440108
ECLASS 11.0	27440108
ECLASS 12.0	27440108
ETIM 5.0	EC002585
ETIM 6.0	EC002585
ETIM 7.0	EC002585
ETIM 8.0	EC002585
UNSPSC 16.0901	31163032

Dimensional drawing (Dimensions in mm (inch))



Connection diagram



SICK AT A GLANCE

SICK is one of the leading manufacturers of intelligent sensors and sensor solutions for industrial applications. A unique range of products and services creates the perfect basis for controlling processes securely and efficiently, protecting individuals from accidents and preventing damage to the environment.

We have extensive experience in a wide range of industries and understand their processes and requirements. With intelligent sensors, we can deliver exactly what our customers need. In application centers in Europe, Asia and North America, system solutions are tested and optimized in accordance with customer specifications. All this makes us a reliable supplier and development partner.

Comprehensive services complete our offering: SICK LifeTime Services provide support throughout the machine life cycle and ensure safety and productivity.

For us, that is “Sensor Intelligence.”

WORLDWIDE PRESENCE:

Contacts and other locations –www.sick.com