



# TDC-E200R2

Telematic Data Collector

GATEWAY SYSTEMS

**SICK**  
Sensor Intelligence.



## Ordering information

Description	Network coverage	Items supplied	Type	Part no.
The gateway networks sensors, machines and IIoT platforms for collecting and preprocessing local sensor and process data.	Europe Middle East Africa APAC	TDC-E200R2 with mobile communication (without flow of data) including TDC connecting cables and operating instructions	TDC-E200R2	6067896

Other models and accessories → [www.sick.com/Telematic\\_Data\\_Collector](http://www.sick.com/Telematic_Data_Collector)



## Detailed technical data

### Features

<b>Product category</b>	Gateway and cloud solutions
<b>Alarm output</b>	Push notification or user-defined action

### Mechanics/electronics

<b>Supply voltage</b>	24 V DC (9 V DC ... 36 V DC)
<b>Power consumption</b>	2.4 W
<b>Housing dimensions (W x D x H)</b>	162 mm x 32 mm x 101 mm
<b>Weight</b>	230 g
<b>Housing material</b>	Polyamide PA6
<b>Housing color</b>	Light blue (RAL 5012)
<b>Fixing</b>	In vehicle or control cabinet
<b>Enclosure rating</b>	IP20 (according to DIN EN 60529)

### Performance

<b>Sensor</b>	Acceleration sensor, Magnetometer, Thermometers
<b>Internal computer</b>	1GB, DD3, dual-core Cortex-A7 with Cortex-M4 co-processor
<b>Internal memory</b>	16 GB
<b>Operating system</b>	Linux
<b>Ecosystem</b>	Docker
<b>User interface</b>	TDC-E Device Manager, Node-RED, picoStratus
<b>Data protocol</b>	MQTT REST API OPC UA WebSocket
<b>Data format</b>	JSON
<b>Connectivity</b>	Mobile communication (3G) WLAN WPAN LAN
<b>Mobile network</b>	UMTS: 900/2100 MHz, GSM/EDGE: 850/900/1800/1900 MHz

<b>Network coverage</b>	Europe, Middle East, Africa, APAC
-------------------------	-----------------------------------

Interfaces

<b>GPS</b>		✓, L1 C/A satellite-based extension system: WAAS, EGNOS, MSAS, GAGAN
	Protocol	GPS, GLONASS, BeiDo, Galileo
	Electrical connection	MCX
<b>Modem</b>		✓, 3G HSPA+
	Data transmission rate	(5.76 Mbit/s ... 14.4 Mbit/s)
	Protocol	UMTS: 900/2100 MHz GSM/EDGE: 850/900/1800/1900 MHz
<b>Ethernet</b>		✓ (2)
	Data transmission rate	(10 Mbit/s ... 1,000 Mbit/s)
	Electrical connection	RJ45
<b>WLAN</b>		✓
	Data transmission rate	(80 Mbit/s ... 100 Mbit/s), single band 2.4 GHz
	Protocol	IEEE 802.11 b/g/n
<b>WPAN</b>		✓, IEEE 802.15.1, IEEE 802.15.4, IEEE 802.15.3
<b>Serial</b>		✓, RS-232, RS-422, RS-485, SSI, 1Wire
	Electrical connection	Micro-Fit (20-pin)
<b>CAN bus</b>		✓ (2)
	Data transmission rate	1 Mbit/s, adjustable
	Protocol	J1939, CANOpen
	Electrical connection	Micro-Fit (20-pin)
<b>USB</b>		✓, USB 2.0
	Electrical connection	USB 2.0 A-Male connector
<b>Inputs/outputs</b>	I/O	6 analog inputs (configurable, current and voltage), 8 digital inputs/outputs (configurable)
<b>Optical indicators</b>		3, LED, status displays
<b>Configuration interface</b>		Web-Interface

Ambient data

<b>Ambient temperature, operation</b>	-20 °C ... +70 °C
<b>Ambient temperature, storage</b>	-40 °C ... +85 °C
<b>Shock load</b>	IEC 60068-2-27
<b>Electromagnetic compatibility (EMC)</b>	EN 303446-1 EN 55032 EN 55024 EN 61000-3-2 EN 61000-3-3
<b>Product safety</b>	EN 60950-1
<b>Radio approval</b>	EN 301511 V12.5.1 (2017)

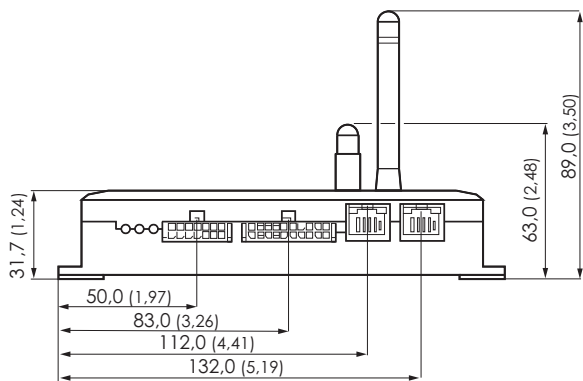
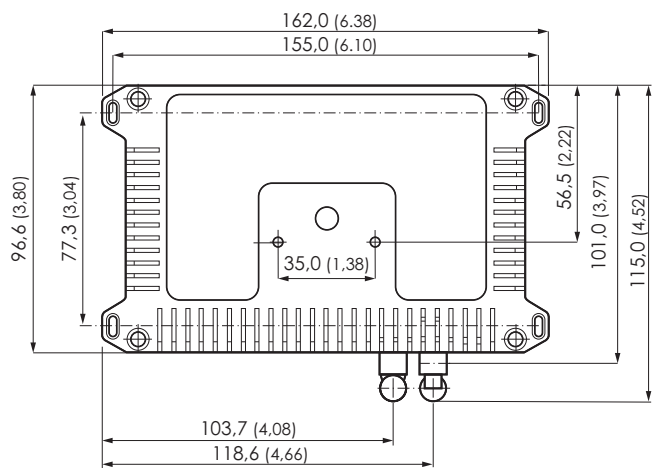
General notes

<b>Description</b>	The gateway networks sensors, machines and IIoT platforms for collecting and preprocessing local sensor and process data.
<b>Items supplied</b>	TDC-E200R2 with mobile communication (without flow of data) including TDC connecting cables and operating instructions

### Classifications

<b>eCI@ss 5.0</b>	19179090
<b>eCI@ss 5.1.4</b>	19179090
<b>eCI@ss 6.0</b>	19179090
<b>eCI@ss 6.2</b>	19179090
<b>eCI@ss 7.0</b>	19179090
<b>eCI@ss 8.0</b>	19179090
<b>eCI@ss 8.1</b>	19179090
<b>eCI@ss 9.0</b>	19179090
<b>eCI@ss 10.0</b>	19179090
<b>eCI@ss 11.0</b>	19179090
<b>eCI@ss 12.0</b>	19179090
<b>UNSPSC 16.0901</b>	43222605

### Dimensional drawing (Dimensions in mm (inch))



## SICK AT A GLANCE

SICK is one of the leading manufacturers of intelligent sensors and sensor solutions for industrial applications. A unique range of products and services creates the perfect basis for controlling processes securely and efficiently, protecting individuals from accidents and preventing damage to the environment.

We have extensive experience in a wide range of industries and understand their processes and requirements. With intelligent sensors, we can deliver exactly what our customers need. In application centers in Europe, Asia and North America, system solutions are tested and optimized in accordance with customer specifications. All this makes us a reliable supplier and development partner.

Comprehensive services complete our offering: SICK LifeTime Services provide support throughout the machine life cycle and ensure safety and productivity.

For us, that is “Sensor Intelligence.”

## WORLDWIDE PRESENCE:

Contacts and other locations –[www.sick.com](http://www.sick.com)