



LD-LRS3611

LD-LRS

2D LIDAR SENSORS

SICK
Sensor Intelligence.



Ordering information

Type	Part no.
LD-LRS3611	1067186

Other models and accessories → www.sick.com/LD-LRS



Detailed technical data

Features

Task	Measuring - Dimension, contour and volume Protecting objects - Buildings and grounds Protecting objects - Infrastructure Determining position - 2D position determination
Application	Outdoor
Light source	Infrared (905 nm)
Laser class	1 (IEC 60825-1:2014, EN 60825-1:2014)
Aperture angle	Horizontal 360°
Scanning frequency	5 Hz ... 15 Hz
Angular resolution	0.125°, Interlaced: 0,0625 0.125° 0.1875° 0.25° 0.375° 0.5° 0.75° 1°
Heating	Yes
Working range	5 m ... 250 m
Scanning range	At 10% remission factor 120 m At 90% remission factor 250 m

Mechanics/electronics

Connection type	1 x 20-pin Harting plug ¹⁾
Supply voltage	24 V DC, ± 15 %
Power consumption	36 W, + 140 W heating
Housing material	PU (polyurethane rigid integral foam)

¹⁾ Harting.

Housing color	Gray (RAL 7032)
Enclosure rating	IP67
Protection class	III
Weight	+ 9.1 kg
Dimensions (L x W x H)	250 mm x 350 mm x 391.1 mm
MTBF	86 years

¹⁾ Harting.

Safety-related parameters

MTTF_D	> 100 years
-------------------------	-------------

Performance

Detectable object shape	Almost any
Systematic error	± 38 mm ¹⁾
Statistical error	30 mm ¹⁾

¹⁾ Actual value depends on environmental conditions.

Interfaces

Ethernet	✓, TCP/IP
Data transmission rate	≤ 100 Mbit/s
Serial	✓, RS-422
Data transmission rate	19,200 Baud ... 115,200 Baud
Digital outputs	1 (digital)
Optical indicators	0

Ambient data

Ambient operating temperature	-25 °C ... +50 °C
Storage temperature	-25 °C ... +80 °C

General notes

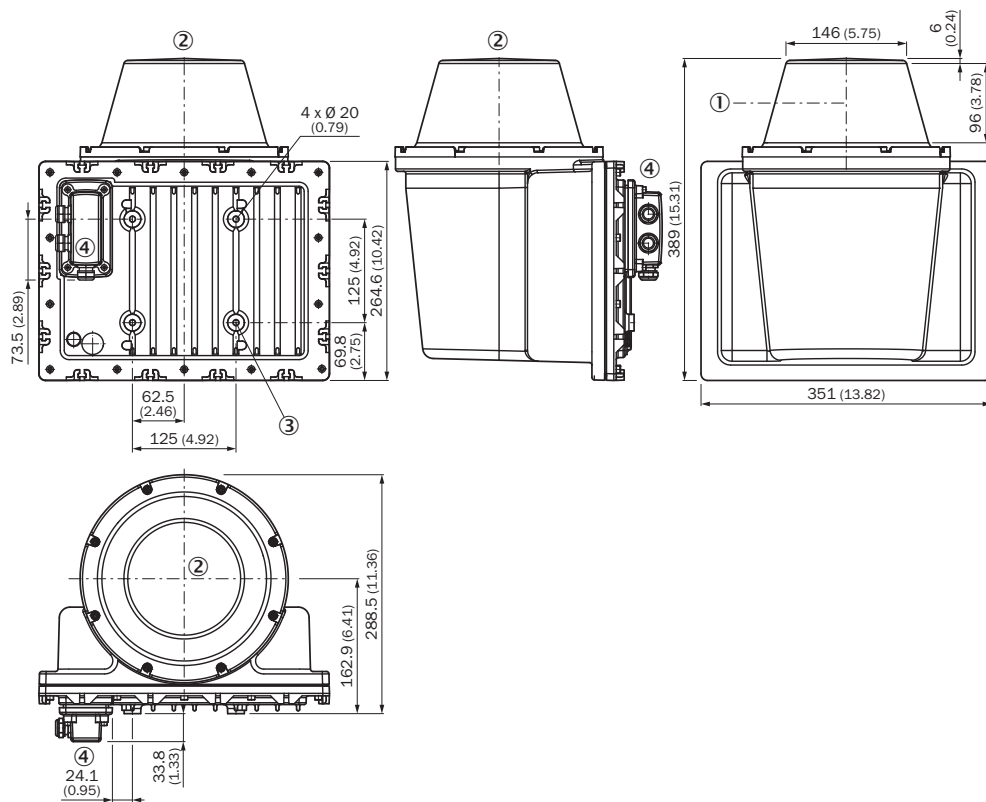
Note on use	The sensor does not constitute a safety component as defined by relevant legislation on machine safety.
--------------------	---

Classifications

ECLASS 5.0	27270990
ECLASS 5.1.4	27270990
ECLASS 6.0	27270913
ECLASS 6.2	27270913
ECLASS 7.0	27270913
ECLASS 8.0	27270913
ECLASS 8.1	27270913
ECLASS 9.0	27270913
ECLASS 10.0	27270913
ECLASS 11.0	27270913
ECLASS 12.0	27270913
ETIM 5.0	EC002550

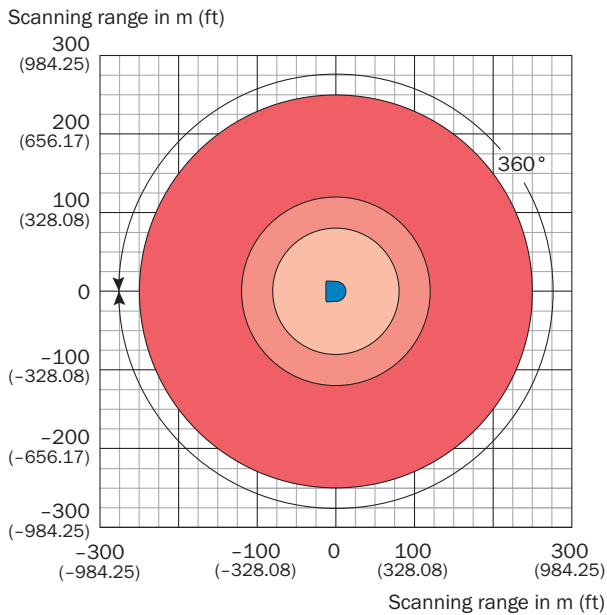
ETIM 6.0	EC002550
ETIM 7.0	EC002550
ETIM 8.0	EC002550
UNSPSC 16.0901	41111615

Dimensional drawing (Dimensions in mm (inch))



- ① Optical axis
- ② Zero level
- ③ Mounting hole M6 threaded –9 mm deep
- ④ RS-232/Ethernet/Power connection (20-pin harting connector)


Working range diagram



- Scanning range max. 250 m (820.21 ft)
- Scanning range white targets
90 % remission 250 m (820.21 ft)
- Scanning range for objects up to
10 % remission 120 m (393.70 ft) Extended
- Scanning range for objects up to
10 % remission 80 m (262.47 ft)

Recommended accessories

Other models and accessories → www.sick.com/LD-LRS

	Brief description	Type	Part no.
Mounting brackets and plates			
	Mounting kit for wall-mounting (adjustment bracket), Steel, zinc coated (1.0330)	Mounting kit	2018303

Recommended services

Additional services → www.sick.com/LD-LRS

	Type	Part no.
Commissioning		
<ul style="list-style-type: none"> • Product area: 2D LiDAR sensors, 3D LiDAR sensors • Range of services: Inspection of connection, fine adjustment, configuration of monitored areas, configuration and optimization of parameters as well as tests, Setup of previously defined functions of basic settings, parameters of field application, filters for raw data output and product-specific configuration • Duration: Additional work will be invoiced separately 	Commissioning LiDAR sensors	1680672
Maintenance		
<ul style="list-style-type: none"> • Product area: 2D LiDAR sensors, 3D LiDAR sensors • Range of services: Inspection, analysis and restoring of defined functions, Inspection and adaptation of basic settings, parameters of field application, filters for raw data output, and product-specific configuration • Duration: Additional work will be invoiced separately 	Maintenance of LiDAR sensors	1682593
Extended warranty		
<ul style="list-style-type: none"> • Product area: Machine vision, LiDAR sensors, safety camera sensors, Safety laser scanners, Safety radar sensors, Radar sensors, Fixed mount barcode scanners, Image-based code readers, RFID, Mobile handheld scanners • Range of services: The services correspond to the scope of the statutory manufacturer warranty (SICK general terms of delivery). • Duration: Five-year warranty from delivery date. 	Extended warranty for a total of five years from delivery date	1680671

SICK AT A GLANCE

SICK is one of the leading manufacturers of intelligent sensors and sensor solutions for industrial applications. A unique range of products and services creates the perfect basis for controlling processes securely and efficiently, protecting individuals from accidents and preventing damage to the environment.

We have extensive experience in a wide range of industries and understand their processes and requirements. With intelligent sensors, we can deliver exactly what our customers need. In application centers in Europe, Asia and North America, system solutions are tested and optimized in accordance with customer specifications. All this makes us a reliable supplier and development partner.

Comprehensive services complete our offering: SICK LifeTime Services provide support throughout the machine life cycle and ensure safety and productivity.

For us, that is “Sensor Intelligence.”

WORLDWIDE PRESENCE:

Contacts and other locations –www.sick.com