



UE43-2MF2D2

UE43-2MF

SAFETY RELAYS

SICK
Sensor Intelligence.



Illustration may differ



Ordering information

| Type | Part no. |
|-------------|----------|
| UE43-2MF2D2 | 6024893 |

Other models and accessories → www.sick.com/UE43-2MF

Detailed technical data

Safety-related parameters

| | |
|---|--|
| Safety integrity level | SIL3 (IEC 61508) SILCL3 (EN 62061) |
| Category | Category 4 (EN ISO 13849) |
| Performance level | PL e (EN ISO 13849) |
| B_{10d} parameter | 1.26 x 10 ⁶ switching cycles (AC-15, 230 V, I = 1.5 A) 5.9 x 10 ⁶ switching cycles (AC-15, 230 V, I = 0.75 A) 4.35 x 10 ⁵ switching cycles (DC-13, 24 V, I = 2.5 A) 1 x 10 ⁷ switching cycles (DC-13, 24 V, I = 0.63 A) |
| PFH_D (mean probability of a dangerous failure per hour) | 3.0 x 10 ⁻⁸ (EN ISO 13849) |
| T_M (mission time) | 20 years (EN ISO 13849) |
| Stop category | 0 (EN 60204-1) |

Interfaces

| | |
|---|------------------------|
| Connection type | Fixed screw terminals |
| Number of enabling current paths (N/O) | 2, relevant for safety |

Electrical data

Operating data

| | |
|-------------------------------------|--|
| Voltage supply | A1, A2 |
| Output circuit > 25 V AC / 60 V DC | PELV |
| Output circuit ≤ 25 V AC / 60 V DC | PELV or SELV |
| Supply voltage V_s | A1, A2 |
| | 24 V AC/DC (20.4 V AC/DC ... 26.4 V AC/DC) |
| Residual ripple | (≤ 2.4 V _{pp}) ¹⁾ |

¹⁾ In DC operation, within the limits of V_s.

| | |
|---|-----------------------------------|
| Power consumption | (≤ 4.6 VA (AC)) (≤ 2.6 W (DC)) |
| Overvoltage category | II |
| Rated insulation voltage U_i | 300 V AC |
| Rated impulse withstand voltage U_{imp} | 4 kV |
| Test voltage | 2 kV (50 Hz) (EN 60439-1) |

¹⁾ In DC operation, within the limits of V_S .

Control voltage: S33/S11, S21

| | |
|---------------------------------|----------------------------------|
| Control voltage | 22 V DC (≥ 17.4 V DC) |
| Control current | 40 mA ... 100 mA |
| Short-circuit current | ≤ 2 A, between S33 / S11 and S21 |
| Short-circuit protection | PTC resistor |

Input circuits: S12, S31, S22, S34, S35

| | |
|--|--|
| Input current | ≤ 100 mA ≤ 50 mA |
| Reset time | Manual (≤ 40 ms) Automatic (≤ 500 ms) |
| Activation time of reset button | ≥ 50 ms |
| Synchronous time monitoring | ≤ 500 ms |
| Cable resistance | ≤ 35 Ω |

Output current paths: 13/14, 23/24, 31/32

| | |
|--|--|
| Response time | 25 ms (≤ 25 ms) ¹⁾ |
| Number of enabling current paths (N/O) | 2, relevant for safety |
| Number of signaling current paths (normally closed) | 1, not safety-relevant |
| Contact type | Positively driven |
| Contact material | Silver alloy, gold flashed |
| Switching voltage | Enabling current path 10 V AC ... 230 V AC 10 V DC ... 300 V DC Signaling current path 10 V AC ... 230 V AC 10 V DC ... 300 V DC |
| Current-carrying capacity per OSSD | Enabling current path 10 mA ... 6 A Signaling current path 10 mA ... 6 A Total current ≤ 12 A |
| Usage category | AC-15/DC-13 |
| Rated operating current (voltage) | 4 A (230 V AC) 360 switching cycles/h 3 A (230 V AC) 3600 switching cycles/h 4 A (24 V DC) 360 switching cycles/h 2.5 A (24 V DC) 3600 switching cycles/h |

¹⁾ K_1/K_2 .

| | |
|---|--------------------------------------|
| Switching frequency | ≤ 3600/h |
| Mechanical life (relay contacts) | 1 x 10 ⁷ switching cycles |
| Electrical life (relay contacts) | 1 x 10 ⁵ switching cycles |

¹⁾ K1/K2.

Mechanical data

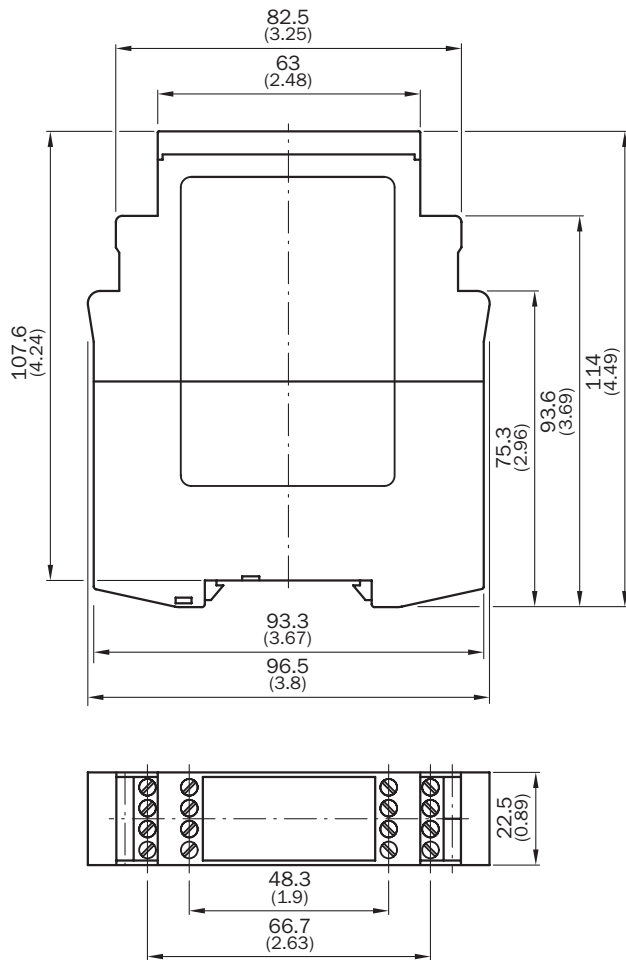
| | |
|-------------------------------|----------------------------|
| Dimensions (W x H x D) | 22.5 mm x 114 mm x 96.5 mm |
| Contamination rating | 3 (EN 50178) |
| Weight | 0.2 kg |

Classifications

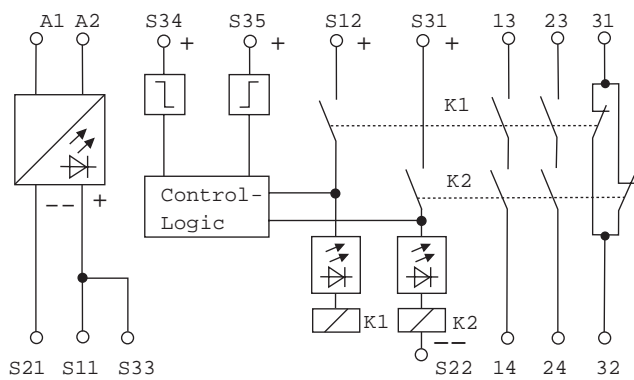
| | |
|-----------------------|----------|
| ECl@ss 5.0 | 27371990 |
| ECl@ss 5.1.4 | 27371990 |
| ECl@ss 6.0 | 27371819 |
| ECl@ss 6.2 | 27371819 |
| ECl@ss 7.0 | 27371819 |
| ECl@ss 8.0 | 27371819 |
| ECl@ss 8.1 | 27371819 |
| ECl@ss 9.0 | 27371819 |
| ECl@ss 10.0 | 27371819 |
| ECl@ss 11.0 | 27371819 |
| ETIM 5.0 | EC001449 |
| ETIM 6.0 | EC001449 |
| ETIM 7.0 | EC001449 |
| UNSPSC 16.0901 | 41113704 |

Dimensional drawing (Dimensions in mm (inch))

Safety relay



Connection diagram



SICK AT A GLANCE

SICK is one of the leading manufacturers of intelligent sensors and sensor solutions for industrial applications. A unique range of products and services creates the perfect basis for controlling processes securely and efficiently, protecting individuals from accidents and preventing damage to the environment.

We have extensive experience in a wide range of industries and understand their processes and requirements. With intelligent sensors, we can deliver exactly what our customers need. In application centers in Europe, Asia and North America, system solutions are tested and optimized in accordance with customer specifications. All this makes us a reliable supplier and development partner.

Comprehensive services complete our offering: SICK LifeTime Services provide support throughout the machine life cycle and ensure safety and productivity.

For us, that is “Sensor Intelligence.”

WORLDWIDE PRESENCE:

Contacts and other locations –www.sick.com