



ES21-SB14G1

ES21

SAFETY COMMAND DEVICES

SICK
Sensor Intelligence.



Ordering information

| Type | Part no. |
|-------------|----------|
| ES21-SB14G1 | 6053944 |

Product consists of UL certified components (ES21-XC050, ES21-CS0001, ES21-CS0100, ES21-CS1000, ES21-AT1120).
See UL certificate number: E198242

Other models and accessories → www.sick.com/ES21



Detailed technical data

Features

| | |
|---|----------------|
| Number of positive action N/C contacts | 2 |
| Number of N/O contacts | 1 |
| Actuation directions | 1 |
| Contact module for panel mount version | ✓ |
| Obstruction protection | ✓ |
| Release type | Rotary release |
| Labeling "EMERGENCY STOP" | ✓ |

Safety-related parameters

| | |
|----------------------------------|--|
| B_{10d} parameter | 2.5 x 10 ⁵ switching cycles |
|----------------------------------|--|

Functions

| | |
|-------------------------------|---|
| Safe series connection | None, only individual wiring (with diagnostics) |
|-------------------------------|---|

Interfaces

| | |
|-------------------------|-----------------------|
| Connection type | |
| Conductor cross-section | ≤ 2.5 mm ² |
| Contact | Screw connection |

Electrical data

Operating data

| | |
|--|---|
| Protection class | II (EN 50178) |
| Switching principle | Slow action switching element |
| Number of positive action N/C contacts | 2 |
| Number of N/O contacts | 1 |
| Usage category | AC-15/DC-13 (EN 60947-5-1) |
| Rated operating current (voltage) | 3 A (250 V AC) 2 A (24 V DC) |
| Rated current (voltage) according to EN 61058-1 | 16 A (10 A) 250 V AC 10 A (6 A) 440 V AC |
| Rated insulation voltage U_i | 600 V |

¹⁾ At rated load.

| | |
|--------------------------|--|
| Switching voltage | ≥ 5 V DC |
| Switching current | ≥ 1 mA |
| Electrical life | 1 x 10 ⁶ switching cycles ¹⁾ |

¹⁾ At rated load.

Mechanical data

| | |
|-------------------------|---------------------|
| Weight | 150 g |
| Housing material | Plastic |
| Mounting version | Panel mount version |

Ambient data

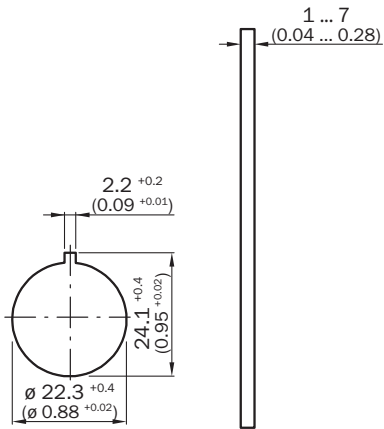
| | |
|--------------------------------------|-------------------|
| Enclosure rating | IP65 (IEC 60529) |
| Ambient operating temperature | -30 °C ... +70 °C |
| Storage temperature | -50 °C ... +85 °C |

Classifications

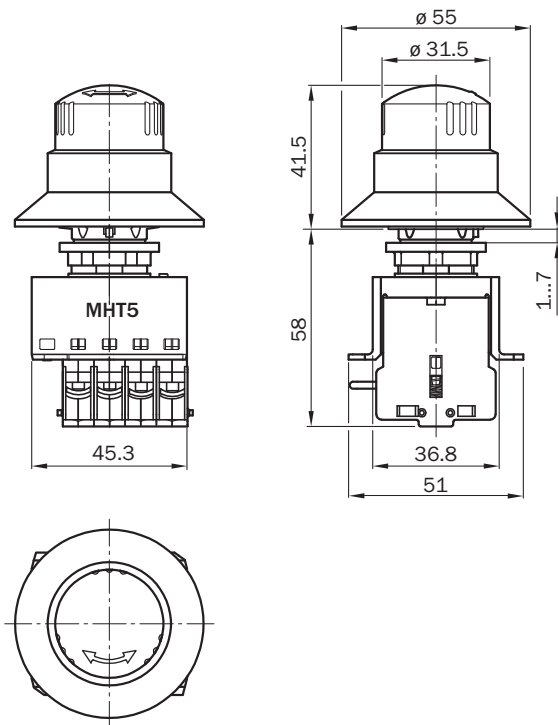
| | |
|-----------------------|----------|
| eCl@ss 5.0 | 27371228 |
| eCl@ss 5.1.4 | 27371228 |
| eCl@ss 6.0 | 27371244 |
| eCl@ss 6.2 | 27371244 |
| eCl@ss 7.0 | 27371244 |
| eCl@ss 8.0 | 27371244 |
| eCl@ss 8.1 | 27371244 |
| eCl@ss 9.0 | 27371244 |
| eCl@ss 10.0 | 27371244 |
| eCl@ss 11.0 | 27371244 |
| eCl@ss 12.0 | 27371244 |
| ETIM 5.0 | EC002034 |
| ETIM 6.0 | EC002034 |
| ETIM 7.0 | EC002034 |
| ETIM 8.0 | EC002034 |
| UNSPSC 16.0901 | 39121545 |

Dimensional drawing (Dimensions in mm (inch))

Mounting holes



Panel mount version



SICK AT A GLANCE

SICK is one of the leading manufacturers of intelligent sensors and sensor solutions for industrial applications. A unique range of products and services creates the perfect basis for controlling processes securely and efficiently, protecting individuals from accidents and preventing damage to the environment.

We have extensive experience in a wide range of industries and understand their processes and requirements. With intelligent sensors, we can deliver exactly what our customers need. In application centers in Europe, Asia and North America, system solutions are tested and optimized in accordance with customer specifications. All this makes us a reliable supplier and development partner.

Comprehensive services complete our offering: SICK LifeTime Services provide support throughout the machine life cycle and ensure safety and productivity.

For us, that is “Sensor Intelligence.”

WORLDWIDE PRESENCE:

Contacts and other locations –www.sick.com