



ECU1-2121AABZZZ

SICK
Sensor Intelligence.



Ordering information

Type	Part no.
ECU1-2121AABZZZ	2124675

Other models and accessories → www.sick.com/



Detailed technical data

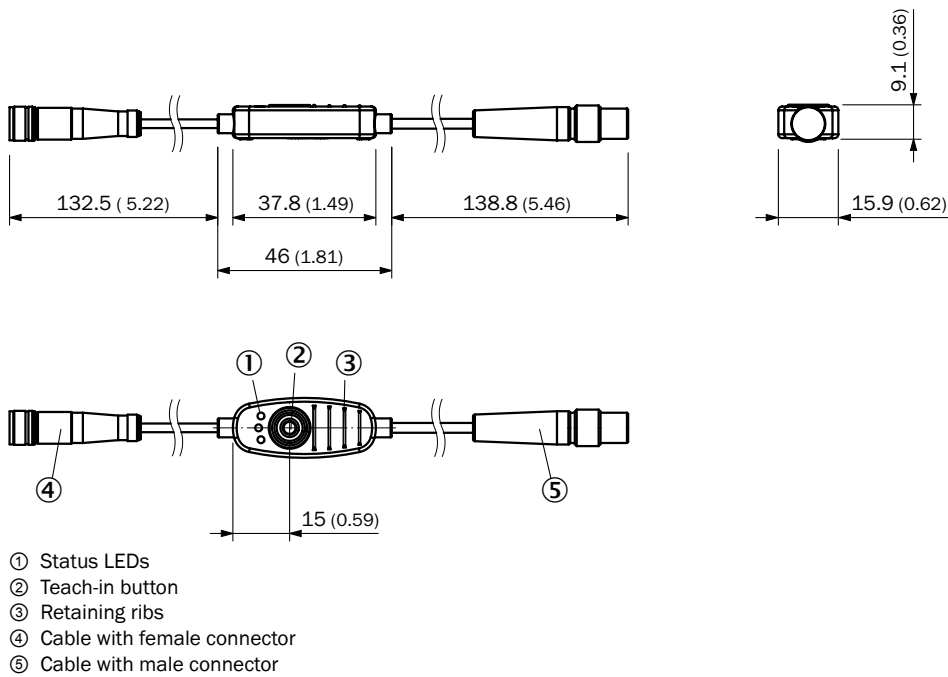
Technical specifications

Accessory family	Connection modules
Enclosure rating	IP67
Dimensions (W x H x L)	15.9 mm x 9.1 mm x 37.8 mm
Description	External, passive control unit with one pushbutton and three LEDs; cable with male connector M12, 4-pin; PLC: pin 2 and pin 4 swapped; cable material: PUR; housing material: plastic, TPU, reinforced; supply voltage: DC 10 V DC ... 30 V DC; current I _{max.} : 510 mA; protection class: III (EN 61140); EMC: EN 61000-6-2, EN 61000-6-4; ambient temperature operation: -25 °C ... +55 °C; ambient temperature storage: -25 °C ... +70 °C

Classifications

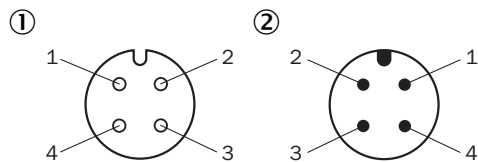
ECLASS 5.0	27279214
ECLASS 5.1.4	27279214
ECLASS 6.0	27279214
ECLASS 6.2	27279214
ECLASS 7.0	27279214
ECLASS 8.0	27279214
ECLASS 8.1	27279214
ECLASS 9.0	27242602
ECLASS 10.0	27242602
ECLASS 11.0	27242602
ECLASS 12.0	27242602
ETIM 5.0	EC001597
ETIM 6.0	EC001597
ETIM 7.0	EC001597
ETIM 8.0	EC001597
UNSPSC 16.0901	32151705

Dimensional drawing (Dimensions in mm (inch))



Connection type

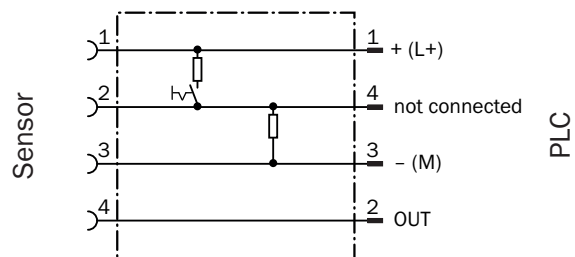
Pinouts



Female connector/male connector, M12, 4-pin, A-coded

- ① Sensor
- ② PLC

Anschlusschema



SICK AT A GLANCE

SICK is one of the leading manufacturers of intelligent sensors and sensor solutions for industrial applications. A unique range of products and services creates the perfect basis for controlling processes securely and efficiently, protecting individuals from accidents and preventing damage to the environment.

We have extensive experience in a wide range of industries and understand their processes and requirements. With intelligent sensors, we can deliver exactly what our customers need. In application centers in Europe, Asia and North America, system solutions are tested and optimized in accordance with customer specifications. All this makes us a reliable supplier and development partner.

Comprehensive services complete our offering: SICK LifeTime Services provide support throughout the machine life cycle and ensure safety and productivity.

For us, that is “Sensor Intelligence.”

WORLDWIDE PRESENCE:

Contacts and other locations –www.sick.com