



LFC-XXSBTM

LFC

LEVEL SENSORS

SICK
Sensor Intelligence.



Ordering information

Type	Part no.
LFC-XXSBTM	6077490

Other models and accessories → www.sick.com/LFC

Illustration may differ



Detailed technical data

Features

Medium	Fluids
Measurement	Switch
Process pressure	-1 bar ... 25 bar
Process temperature	-20 °C ... +100 °C, +135 °C for max. 1 h
RoHS certificate	✓
IO-Link	✓

Performance

Accuracy of sensor element	Approx. 1 mm
Reproducibility	Approx. 1 mm
Resolution	Approx. 1 mm
Response time	Approx. 500 ms
Dielectricity constant	≥ 2
MTBF	7,3*10 ⁶ h

Electronics

Supply voltage	12 V DC ... 35 V DC ¹⁾
Residual ripple	≤ 5 V _{pp}
Power consumption	≤ 10 mA
Protection class	III
Connection type	M12 round connector x 1, 4-pin
Output signal	2 x PNP/NPN IO-Link
Power consumption	≤ 0.1 W
Contamination rating	4
Inductive load	≤ 0.5 H
Capacitive load	100 nF

¹⁾ All connections are polarity protected. All outputs are overload and short-circuit protected.

Enclosure rating	IP66 / IP67 and IP69 (NEMA type 6P)
EMC	EN 61326-1
Overvoltage category	I
Load current	≤ 250 mA (Output permanently short-circuit proof)
Voltage drop	< 3 V
Switching voltage	< 34 V DC
Reverse current	< 10 µA

¹⁾ All connections are polarity protected. All outputs are overload and short-circuit protected.

Mechanics

Wetted parts	Sensor tip PEEK, polished
Process connection	G ½" PN 25, DIN 3852-A / 316L
Housing material	Stainless steel 1.4404, Plastic (Valox®)
Sealing material	NBR (male connector)

Ambient data

Ambient operating temperature	-40 °C ... +70 °C
Ambient temperature, storage	-40 °C ... +80 °C

Classifications

ECLASS 5.0	27273290
ECLASS 5.1.4	27273290
ECLASS 6.0	27273290
ECLASS 6.2	27273290
ECLASS 7.0	27273290
ECLASS 8.0	27273290
ECLASS 8.1	27273290
ECLASS 9.0	27273290
ECLASS 10.0	27273290
ECLASS 11.0	27273290
ECLASS 12.0	27200503
ETIM 5.0	EC002654
ETIM 6.0	EC002654
ETIM 7.0	EC002654
ETIM 8.0	EC002654
UNSPSC 16.0901	41111950

Type code

Type code

Type/process temperature/process pressure/enclosure rating

S	Standard, -20 ... +100 °C, -1 ... 10 bar, IP65/IP67
H	Extended, -20 ... +150 °C, -1 ... 16 bar, IP68/IP69

Process connection/material

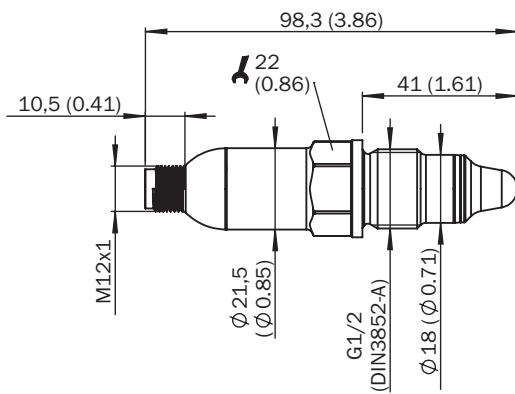
- B** G 1/2" PN25, DIN3852-A / 316L
 - G** G 1/2" PN25, ISO0228-1, for hygienic thread adapter / 316L (RA < 0.76 µm)
 - N** 1/2" NPT PN25, ASME B1.20.1/316L
- Electrical output**
- T** 2 digital outputs (PNP/NPN/push-pull switchable) with IO-Link, 12 ... 35 V DC
- Electrical connection**
- M** M12 round connector x 1, 4-pin

LFC - XX [] [] T M

Not all variants of the type code can be combined!

[Dimensional drawing](#) (Dimensions in mm (inch))

Process connection PN 25, DIN 3852-A / 316L, unit: mm (inch), decimal separator: period



SICK AT A GLANCE

SICK is one of the leading manufacturers of intelligent sensors and sensor solutions for industrial applications. A unique range of products and services creates the perfect basis for controlling processes securely and efficiently, protecting individuals from accidents and preventing damage to the environment.

We have extensive experience in a wide range of industries and understand their processes and requirements. With intelligent sensors, we can deliver exactly what our customers need. In application centers in Europe, Asia and North America, system solutions are tested and optimized in accordance with customer specifications. All this makes us a reliable supplier and development partner.

Comprehensive services complete our offering: SICK LifeTime Services provide support throughout the machine life cycle and ensure safety and productivity.

For us, that is “Sensor Intelligence.”

WORLDWIDE PRESENCE:

Contacts and other locations –www.sick.com